

VOLTA- MODEL: ADWT31

WAC ARCHITECTURAL

3" Round Narrow Recessed Wall Wash Downlight

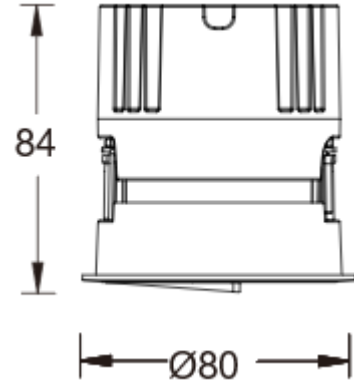
Project Name:

Type:

Product Image



Line Drawing



Product Description

VOLTA Series LED Round Narrow Recessed Wall Washer Downlight with streamlined appearance. With precise wall wash reflector design, it ensures the ultimate anti-glare effect while washing the light out of the wall, and is mainly used in hotel and commercial indoor places.

Product Features

- **Body Materials:** Aluminum alloy die-casting body
- **Optical System:** Wall Wash Reflector
- **Finishes:** Electrostatic Powder Coating
- **Objection Direction:** /
- **Accessory/Bracket:** /
- **Certification:** CCC
- **IP Rating:** IP20
- **Insulation Level:** Class II
- **Operating Temperature:** -20°C~40°C

Product Specifications

- **Opening Dimensions:** Ø75mm
- **Ceiling Thickness:** 1mm~15mm
- **Shading Angle:** /
- **LED Type:** COB
- **Source Lm:**
 - 2700K: 7W 758lm; 10W 1080lm; 13W 1404lm
 - 3000K: 7W 800lm; 10W 1150lm; 13W 1495lm
 - 3500K: 7W 835lm; 10W 1195lm; 13W 1554lm
 - 4000K: 7W 850lm; 10W 1210lm; 13W 1573lm
 - 5000K: 7W 860lm; 10W 1220lm; 13W 1586lm
- **LED Lifetime:** >50000h-L70 /B10-Ta25°C(LM-80/TM-21)
- **CCT/CRI:** 2700K/3000K/3500K/4000K/5000K, CRI≥90
- **Input:** 220V AC / 50Hz
- **Dimming:** No dimming/0~10V/DALI (must do match test with project site system in advance)
- **Net Weight:** Approx. 0.4Kg, excluding packaging

Order Model

Model	Size	Trim	LED	Driver	Beam	CCT	Reflector	Finish
ADWT Downlight Wallwasher T series	3 3"	1 Round Trim	LM07 COB 7W	E On-Off	W Wall Wash	27 2700K	B Black	WT White BK Black
			LM10 COB 10W	D 0-10V		30 3000K		
			LM13 COB 13W	Dimming		35 3500K		
			LM13 COB 13W	A DALI N No Driver		40 4000K 50 5000K		

Example: ADWT31-LM10EW30BWT

WAC Lighting
www.waclighting.com (US)
www.waclighting.net (International)

Headquarters
44 Harbor Park Drive • Port Washington, NY
Phone (516) 515.5000 • Fax (516) 515.5050

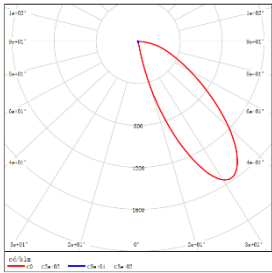
WAC GROUP
TECHNOLOGY ILLUMINATED

VOLTA- MODEL: ADWT31

WAC ARCHITECTURAL

3" Round Narrow Recessed Wall Wash Downlight

Light Distribution Curve @3000K data



MODEL:	ADWT31-LM13EW30BWT
BEAM ANGLE:	Wash
POWER:	15W
LUMENS:	645lm
CBCP:	/
EFFICACY:	43lm/W

VOLTA- MODEL: ADWT41

WAC ARCHITECTURAL

4" Round Narrow Recessed Wall Wash Downlight

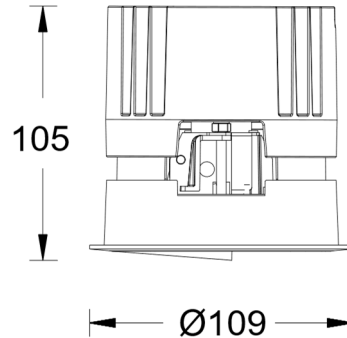
Project Name:

Type:

Product Image



Line Drawing



Product Description

VOLTA Series LED Round Narrow Recessed Wall Washer Downlight with streamlined appearance. With precise wall wash reflector design, it ensures the ultimate anti-glare effect while washing the light out of the wall, and is mainly used in hotel and commercial indoor places.

Product Features

- **Body Materials:** Aluminum alloy die-casting body
- **Optical System:** Wall Wash Reflector
- **Finishes:** Electrostatic Powder Coating
- **Objection Direction:** /
- **Accessory/Bracket:** /
- **Certification:** CCC
- **IP Rating:** IP20
- **Insulation Level:** Class II
- **Operating Temperature:** -20°C~40°C

Product Specifications

- **Opening Dimensions:** Ø100mm
- **Ceiling Thickness:** 1mm~20mm
- **Shading Angle:** /
- **LED Type:** COB
- **Source Lm:**
 - 2700K: 13W 1380lm; 18W 1860lm
 - 3000K: 13W 1465lm; 18W 1975lm
 - 3500K: 13W 1540lm; 18W 2070lm
 - 4000K: 13W 1600lm; 18W 2155lm
 - 5000K: 13W 1645lm; 18W 2220lm
- **LED Lifetime:** >50000h-L70 /B10-Ta25°C(LM-80/TM-21)
- **CCT/CRI:** 2700K/3000K/3500K/4000K/5000K, CRI≥90
- **Input:** 220V AC / 50Hz
- **Dimming:** Non-dimming/0~10V/DALI (must do matching test with project site in advance)
- **Net Weight:** Approx. 0.7Kg, excluding packaging

Order Model

Model	Size	Trim	LED	Driver	Beam	CCT	Reflector	Finish
ADWT Downlight Wallwasher T series	4 4"	1 Round Trim	LM13 COB 13W	E On-Off	W Wall Wash	27 2700K	B Black	WT White
			LM18 COB 18W	D 0-10V Dimming		30 3000K		BK Black
						35 3500K		
			LM18 COB 18W	A DALI N No Driver		40 4000K		
						50 5000K		

Example: ADWT41-LM18EW30BWT

WAC Lighting
www.waclighting.com (US)
www.waclighting.net (International)

Headquarters
44 Harbor Park Drive • Port Washington, NY
Phone (516) 515.5000 • Fax (516) 515.5050

WAC GROUP
TECHNOLOGY ILLUMINATED

VOLTA- MODEL: ADWT41

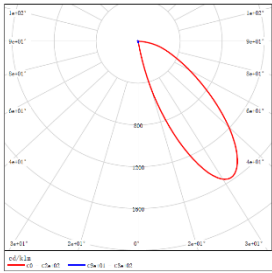
WAC ARCHITECTURAL

4" Round Narrow Recessed Wall Wash Downlight

Project Name:

Type:

Light Distribution Curve @3000K Data



MODEL:	ADWT41-LM18EW30SWT
BEAM ANGLE:	Wash
POWER:	20W
LUMENS	1079lm
CBCP:	/
EFFICACY:	54lm/W