

Windows Light Luminaires

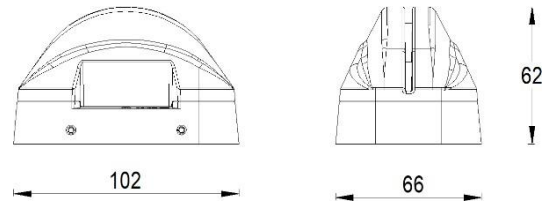
PROJECT:

TYPE:

Product Image



Line Drawing



Product Description

Windows Light lamp body aluminum die-casting, high-temperature powder spraying, compact size and high recognition appearance design, suitable for outdoor environments, IP65 protection level. With fixed sheet metal parts, customers can adjust the installation angle of the lamp from the front, and use the level attached to the lamp to facilitate customer installation. The optimized safety buckle structure can ensure reliable fixation of the lighting fixture on the installation surface. High transmittance lens, applied to building facades, window sills, etc

Product Features

- Body Material: Aluminum alloy die-casting
- Optical System: Lens
- Finish: Static electricity powder coating
- Adjustable Angle: /
- Accessories/brackets: Accessory semi embedded fixing plate
- Certification: CQC
- IP Rating: IP65
- Insulation Level: Class III
- Operating Temperature: -20°C~50°C

Product Specifications

- LED Type: HIGH POWER
- LED Power: 9W Max
- Source Lm: 48lm
- LED Lifetime: >50000h-L70 /B10-Ta25°C(LM-80/TM-21) >50000h-
- CCT/CRI: 3000K/ 4000K , Ra90; RGBW W=3000K, RGBW W=4000K
- SDCM: 3 SDCM (WHITE) 5 SDCM (RGBW)
- Input: 24V DC
- Dimming: ON-OFF / DMX512
- Net Weight: 0.3Kg without packing

Order Model


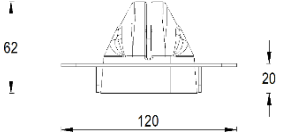
Model	Power	LEDs (quantity)	Max Lumens (lm)	Control Systems	Beam	CCT	Finish
AEDW1	9 9W(Max)	4	41	ET ON-OFF 24V DC Power Supply MT DMX512 24V DC Power Supply	V 4°*180°	27 2700K 30 3000K 40 4000K F30 RGBW W=3000K F40 RGBW W=4000K	BK Black

Example: AEDW1-09ETV30BK

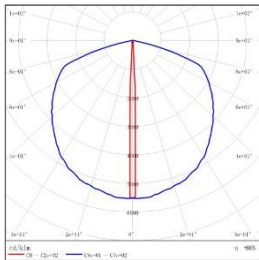
Windows Light Luminaires

PROJECT:

TYPE:

Item	Description	Pic	Description Dimensions
AEDW1-RC002	Recessed Casing		

LIGHT DISTRIBUTION@3000K LUMINAIRE DATA



MODEL :	AEDW1-09MTV30BK
BEAMANGLE :	4° x 180°
POWER:	10W
LUMENS:	41 lm
CBCP:	263.9 cd
EFFICACY:	4.1 lm /W

Windows Light Luminaires

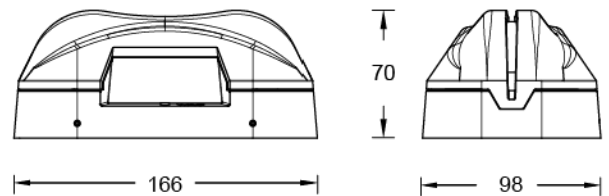
PROJECT:

TYPE:

Product Image



Line Drawing



Product Description

Windows Light lamp body aluminum die-casting, high-temperature powder spraying, compact size and high recognition appearance design, suitable for outdoor environments, IP65 protection level. With fixed sheet metal parts, customers can adjust the installation angle of the lamp from the front, and use the level attached to the lamp to facilitate customer installation. The optimized safety buckle structure can ensure reliable fixation of the lighting fixture on the installation surface. High transmittance lens, applied to building facades, window sills, etc

Product Features

- Body Material: Aluminum alloy die-casting
- Optical System: Lens
- Finish: Static electricity powder coating
- Adjustable Angle: /
- Accessories/brackets: Accessory semi embedded fixing plate
- Certification: CCC, CQC
- IP Rating: IP65
- Insulation Level: Class I, Class III
- Operating Temperature: -20°C~50°C

Product Specifications

- LED Type: HIGH POWER
- LED Power: 18W Max
- Source Lm: 3000K 650lm
- LED Lifetime: >50000h-L70 /B10-Ta25°C(LM-80/TM-21) >50000h-
- CCT/CRI: MONO 2700K,3000K,4000K
RGBW W=3000K, RGBW W=4000K
- SDCM: 3 SDCM (WHITE) 5 SDCM (RGBW)
- Input: 220V AC , 24V DC
- Dimming: 220V ON-OFF / 24V DMX512
- Net Weight: 0.5Kg without packing

Order Model

Model	Power (W)	LEDs (quantity)	Max Lumens (lm)	Control Systems	Beam	CCT	Finish
AEDW1	12 12W(Max)	8	87	EL ON-OFF 220V AC Power Supply	V 4°*180°	27 2700K 30 3000K 40 4000K	BK Black

Example: AEDW1-12ELV27BK

Windows Light Luminaires


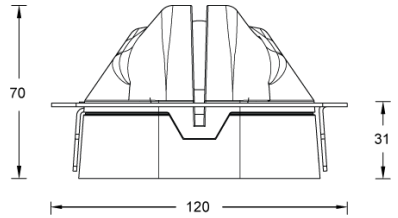
PROJECT:

TYPE:

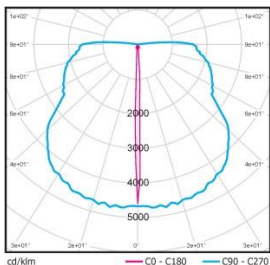
Model	Power (W)	LEDs (quantity)	Max Lumens (lm)	Control Systems	Beam	CCT	Finish
AEDW1	18 18W(Max)	8	108	MT DMX512 Dimming 24V DC Power Supply	V 4°*360°	27 2700K 30 3000K 40 4000K F30 RGBW W=3000K F40 RGBW W=4000K	BK Black

Example: AEDW1-18MTVF30BK

Accessories

Item	Description	Pic	Description Dimensions
AEDW1-RC001	Recessed Casing		

LIGHT DISTRIBUTION@3000K LUMINAIRE DATA



MODEL :	AEDW1-18MTVF30BK
BEAMANGLE :	4° X 360°
POWER:	17.8W
LUMENS:	108 lm
CBCP:	/
EFFICACY:	6.1 lm /W