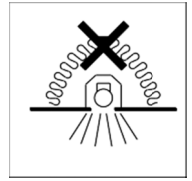


Installation Precautions:

1. Please read through the Instructions before installation.
2. The product should be installed by a professional electrician.
3. Make sure the power supply is cut off before installation and maintenance, to avoid the risk of electric shock.
4. Luminaires can be embedded into the ceiling surface for installation, but do not cover them with insulation or flammable materials to avoid causing a fire.
5. If the glass cracks, please replace it immediately.
6. Do not install the lighting fixtures on unstable and unstable skylights to prevent them from falling.
7. Please keep this Instruction properly for future reference.



Warning: See signs. Under no circumstances should lighting fixtures be covered with insulation pads or similar materials

Installation and wiring of lighting fixtures:

1. Select the corresponding ceiling opening size according to the specifications and models of the lighting fixtures, install the minimum space, and install the ceiling thickness (as shown in the table below);

Models	Ceiling opening size(Φ)	Lamp height (H)	Ceiling thickness (D)
AER22F*	$\phi 63\text{mm}$	68mm	1~25mm
AER23F*	$\Phi 93\text{mm}$	95mm	1~40mm
AER24F	$\phi 116\text{mm}$	120mm	1~40mm
AER25F*	$\phi 145\text{mm}$	150mm	1~40mm

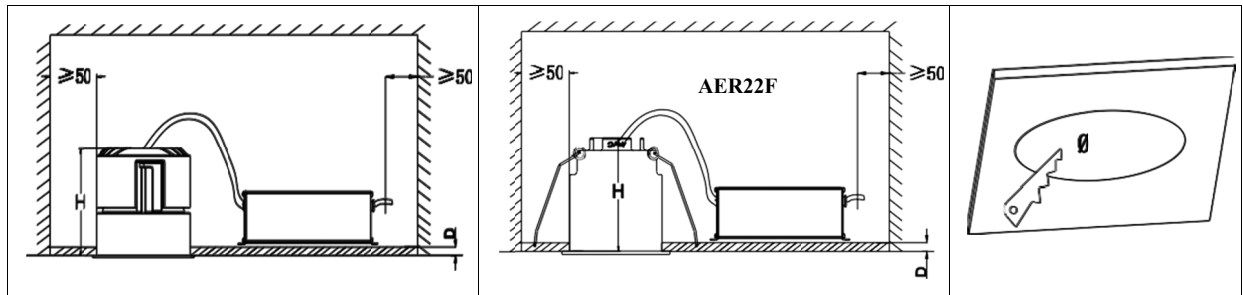


Fig.1

2. Lamp wiring: Connect the wires according to the voltage requirements labeled on the power cord input label; If there is a dimming version, please pay attention to dimming the +/- poles and do not connect them incorrectly. Pay attention to waterproofing treatment at the wire connections (see Figure 2).

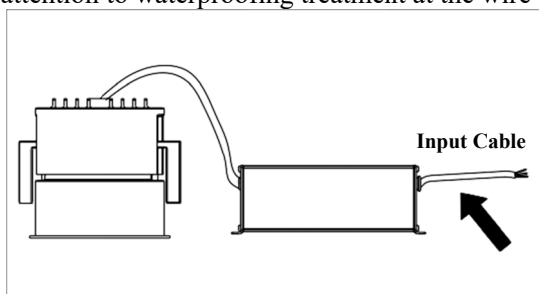


Fig.2

Licensed by "WAC" trademark holder - WAC LIGHTING, USA

Chinese Marketing Headquarters

Address

China factory

Address

: WAC Lighting (Shanghai) Co, Ltd.

: 14, Lane 299, Bi Sheng Road, Shanghai 201204, China

: Manufactured WAC Lighting (Dongguan) Co, Ltd.

: 390, Qingfeng Road, Qingxi Town, Dngguan, Guangdong. Postal code: 523653

3. Lamp installation: Pull out the reflector cover, feed the wires and drive box into the hole in the ceiling (see Figure 3), attach the lamp tightly to the ceiling, hold the lamp edge with one hand, and rotate the installation screw clockwise until the installation bracket clamps onto the ceiling (see Figure 4). Then, install the reflector cover into the lamp frame (see Figure 5). The installation method of AER22F is shown in Figure 6.

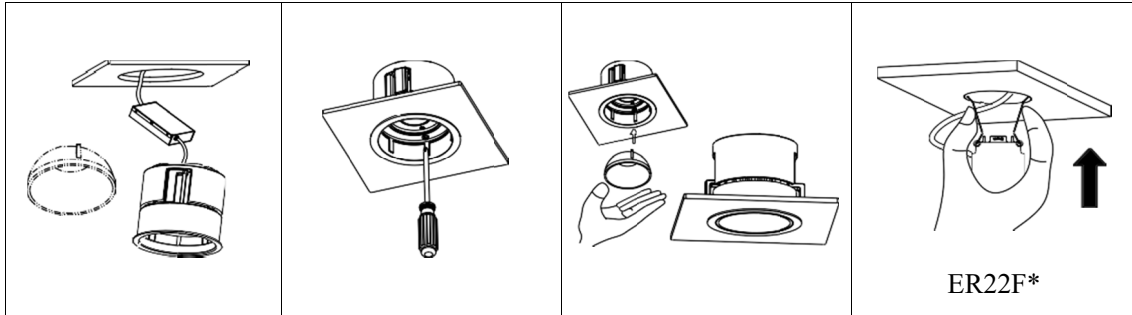


Fig.3-6

Dismantling and maintenance:

1. Lamp removal: Use your hand or a flat screwdriver to pry up the small edge of the reflector cover and remove it (Figure 7); Rotate the installation screw counterclockwise until the bracket is screwed into the radiator to remove the lamp (Figure 8); Note: If using electric tools, the torque should not be too high.

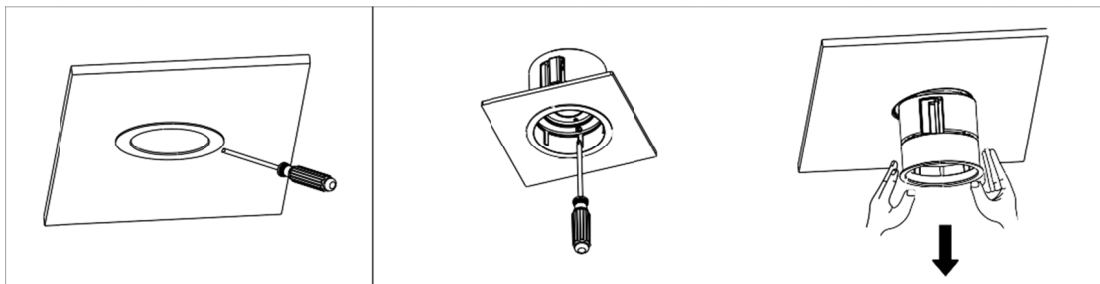


Fig.7-8