

FALCON SQUARE WW - MODEL: ATL64W WAC ARCHITECTURAL

W Track Luminaires

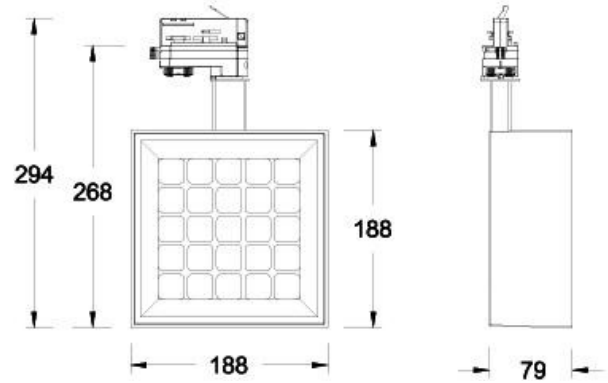
PROJECT:

TYPE:

Product Image



Line Drawing



Product Description

FALCON Square Wall Washer series (hereinafter referred to as WW) LED track spotlights, suitable for W three-loop track, light structure is simple and three-dimensional, through WAC careful optical design, provides accurate wall washing and light distribution effect, and can support intelligent regulation. It is a professional LED wall washing track lamp designed for museums, art galleries, science and technology museums and other high-end places.

Product Features

- Body Material: Aluminum alloy die-cast lamp body, PC optics
- Optical System: Double lens
- Finish: Electrostatic Powder coating, Black (BK), White (WT)
- Direction of projection: Level 0°~355° adjustment; Vertical adjustment 0~90°
- Accessories/Brackets: A maximum of one can be added
- Certification: CCC
- IP Rating: IP20
- Insulation Level: Class I
- Operating Temperature: -20°C~40°C

Product Specifications

- LED Type: HP LED
- Source Lm: 3000K: 4650LM(50W) 6000LM (70W)
4000K: 4900lm(50W) / 6300lm(70W)
- LED Lifetime: >50000h-L70 /B10-Ta25°C(LM-80/TM-21)
- CCT/CRI: 3000K / 4000K;> Ra95 and ; Ra90 Optional
- SDCM: 3 SDCM
- Input: 220~240VAC / 50Hz
- Dimming: Knob dimming (range 10~100%), DALI, 0-10V dimming (must be tested in advance with the project site)
- Net Weight: About 2.3Kg/m, without packaging

Order Model

Model	LED	Dimming	Beam	CRI	CCT	Finish
ATL64W FALCON SQUARE WW	LD50 LED 50W LD70 LED 70W	O On-board	W Washer	9 90 A 95	30 3000K 40 4000K	WT White BK Black
		D 0-10V Dimming				
		A DALI				
ATL64W	LD50	O	W	9	30	WT


Example: ATL64WLD50-OW930WT

FALCON SQUARE WW - MODEL: ATL64W WAC ARCHITECTURAL W Track Luminaires

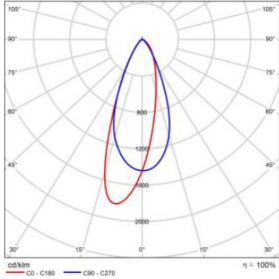
PROJECT:

TYPE:

Attachment

Optical fittings	ALENS-TL64-BD Four leaf shade	
------------------	---	---

LIGHT DISTRIBUTION@3000K LUMINAIRE DATA



MODEL:	ATL64WLD50-OW930	ATL64WLD70-OW930
BEAM ANGLE:	Washer	Washer
POWER:	58W	78W
LUMENS:	3022lm	3499lm
CBCP:	/	/
EFFICACY:	52lm/W	45lm/W