

# VOLTA - MODEL: ADLT05

## Recessed Ceiling Luminaires

WAC ARCHITECTURAL

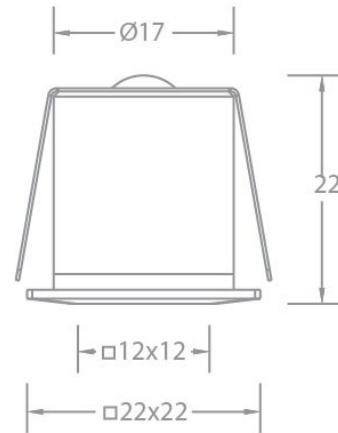
PROJECT:

TYPE:

### Product Image



### Line Drawing



### Product Description

VOLTA series mini square downlight, simple appearance, delicate size, the use of lens light distribution, with accurate light Angle, and has the ultimate anti-glare effect. It can be used in hotels and commercial public spaces.

### Product Features

- Body Material: Aluminum alloy die-casting
- Optical System: Lens
- Finish: Static electricity powder coating
- Adjustable Angle: /
- Accessories: 17°、24°、36°(with honeycomb)
- Certification: CCC
- IP Rating: IP20
- Insulation Level: Class II
- Operating Temperature: -20°C~40°C

### Product Specifications

- Cut-out: Ø18
- Ceiling Thickness: 1mm~15mm
- Shielding Angle: 15°
- LED Type: High Power LED
- Source Lm: 3000K:100lm; 4000K: 110lm
- LED Lifetime: >50000h-L70 /B10-Ta25°C(LM-80/TM-21)
- CCT/CRI: 2700K/ 3000K/3500K/4000K, Ra90
- SDCM: 3 SDCM
- Input: 24V DC
- Dimming: DMX512(24V DC)
- Net Weight: 0.01Kg without packing

### Order Model

Model	Size	Trim	LED	Driver	Beam	CCT	Reflector	Finish
ADLT Downlight Directional T series	0 0.5"	5 Square Trim	LD01 LED 1W	T DMX512(24VDC)	1 17°	27 2700K	W White	WT White
				M MTB *	2 24°	30 3000K		
				N No Driver	3 36°	35 3500K	B Black	BK Black
					6 60°	40 4000K		

Example: ADLT05-LD01N230WWT

Note: In addition to 60°, others are delivered with honeycomb. MTB must be ordered separately and cannot be directly connected to the 220V AC

# VOLTA - MODEL: ADLT05

## Recessed Ceiling Luminaires

WAC ARCHITECTURAL

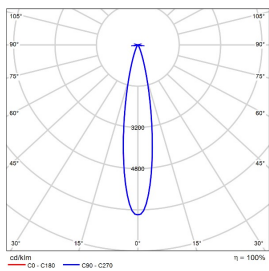
PROJECT:

TYPE:

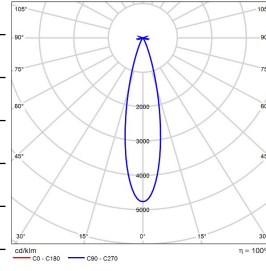
### Accessory

/

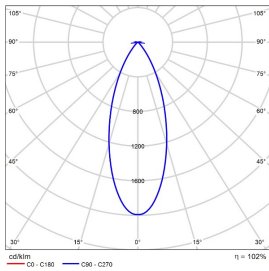
### LIGHT DISTRIBUTION@3000K LUMINAIRE DATA



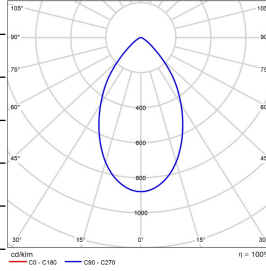
**Model :** ADLT05-LD01T130WWT  
**Beam :** 17°  
**Power :** 1.5W  
**Lumens :** 41lm  
**CBCP :** 271cd  
**Efficacy:** 27lm/W



**Model :** ADLT05-LD01T230WWT  
**Beam :** 24°  
**Power :** 1.5W  
**Lumens :** 37lm  
**CBCP :** 178cd  
**Efficacy :** 25lm/W



**Model :** ADLT05-LD01T330WWT  
**Beam :** 36°  
**Power :** 1.5W  
**lumens :** 27lm  
**CBCP :** 53cd  
**Efficacy:** 18lm/W



**Model :** ADLT05-LD01T630WWT  
**Beam :** 60°  
**Power :** 1.5W  
**Lumens :** 63lm  
**CBCP :** 55cd  
**Efficacy :** 42lm/W

# VOLTA - MODEL: ADDT15

## Square Recessed Ceiling Luminaires

WAC ARCHITECTURAL

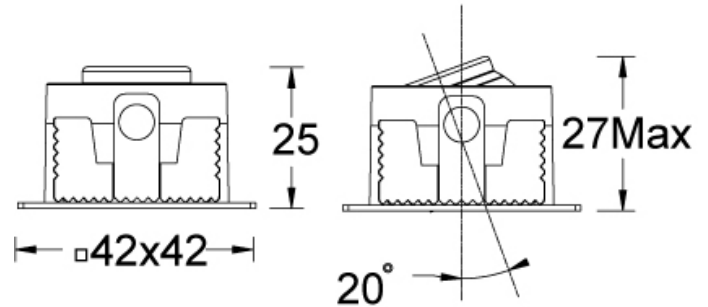
PROJECT:

TYPE:

### Product Image



### Line Drawing



### Product Description

VOLTA series LED square narrow side embedded downlight, simple appearance, delicate size, can be used for bottom or angle adjustment. Using lens + honeycomb light distribution, with accurate light Angle, and has the ultimate anti-glare effect. It can be used in hotels and commercial public spaces.

### Product Features

- Body Material: Aluminum alloy die-casting
- Optical System: Lens
- Finish: Static electricity powder coating
- Adjustable Angle: H (0~360°)  
V (-20°~20°)
- Accessories: Honeycomb
- Certification: CCC
- IP Rating: IP20
- Insulation Level: Class II
- Operating Temperature: -20°C~40°C

### Product Specifications

- Cut-out: 36x36mm
- Ceiling Thickness: 1mm~15mm
- Shielding Angle: 15°
- LED Type: High Power LED
- Source Lm: 2700K:170lm;3000K:175lm; 4000K: 185lm
- LED Lifetime: >50000h-L70 /B10-Ta25°C(LM-80/TM-21)
- CCT/CRI: 2700K/ 3000K/4000K, Ra90
- SDCM: 3 SDCM
- Input: 220V~240V AC / 50Hz
- Dimming: ON/OFF
- Net Weight: 0.1Kg without packing

### Order Model

Model	Size	Trim	LED	Driver	Beam	CCT	Reflector	Finish
<b>ADDT</b> Downlight Directional T series	1 1"	5 Square Trim	<b>LD02</b> LED 2W	<b>E</b> On-Off <b>N</b> No Driver	1 12° 2 24° 3 36° 5 55°	<b>27</b> 2700K <b>30</b> 3000K <b>35</b> 3500K <b>40</b> 4000K	<b>W</b> White	<b>WT</b> White
							<b>B</b> Black	<b>BK</b> Black

Example: ADDT15-LD02E230WWT

WAC Lighting  
www.waclighting.com (US)  
www.waclighting.net (International)

Headquarters  
44 Harbor Park Drive • Port Washington, NY  
Phone (516) 515.5000 • Fax (516) 515.5050

WAC GROUP  
TECHNOLOGY ILLUMINATED

WAC Lighting reserves the right to periodically design and update products. 2025-08-12

# VOLTA - MODEL: ADDT15

## Square Recessed Ceiling Luminaires

WAC ARCHITECTURAL

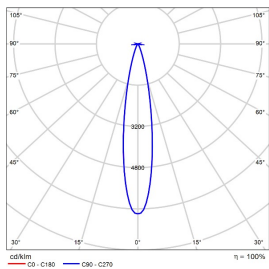
PROJECT:

TYPE:

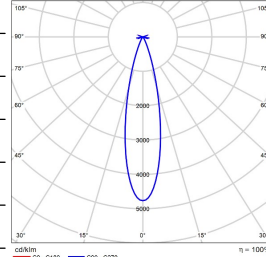
Accessory

/

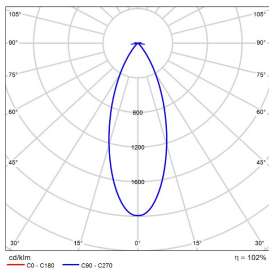
### LIGHT DISTRIBUTION@3000K LUMINAIRE DATA



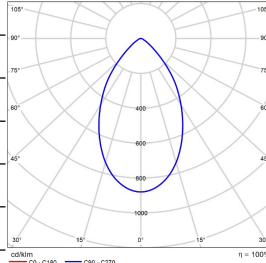
**Model :** ADDT15-LD02E130WWT  
**Beam :** 12°  
**Power :** 4W  
**Lumens :** 91lm  
**CBCP :** 1122cd  
**Efficacy:** 23lm/W



**Model :** ADDT15-LD02E230WWT  
**Beam :** 24°  
**Power :** 4W  
**Lumens :** 95lm  
**CBCP :** 390cd  
**Efficacy :** 24lm/W



**Model :** ADDT15-LD02E330WWT  
**Beam :** 36°  
**Power :** 4W  
**lumens :** 89lm  
**CBCP :** 211cd  
**Efficacy:** 22lm/W



**Model :** ADDT15-LD02E530WWT  
**Beam :** 55°  
**Power :** 4W  
**Lumens :** 74lm  
**CBCP :** 88cd  
**Efficacy :** 19lm/W

**VOLTA- MODEL: ADDT15**  
**SQUARE RECESSED ADJUSTABLE**

**WAC ARCHITECTURAL**

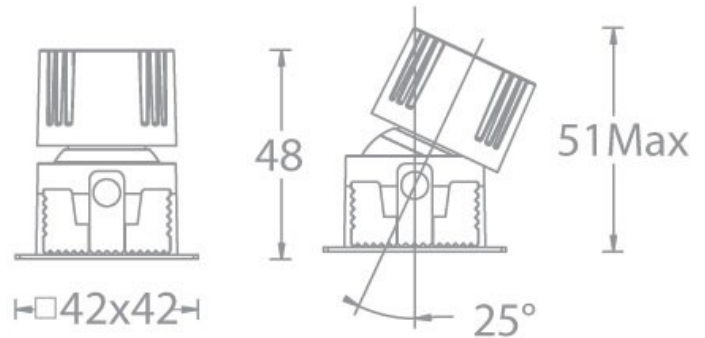
PROJECT:

TYPE:

**Product Image**



**Line Drawing**



**Product Description**

VOLTA series LED square narrow side embedded downlight, simple appearance, delicate size, can be used for bottom or angle adjustment. Using lens + honeycomb light distribution, with accurate light Angle, and has the ultimate anti-glare effect. It can be used in hotels and commercial public spaces.

**Product Features**

- **Body Material:** Aluminum alloy die-casting
- **Optical System:** Lens+honeycomb
- **Finish:** Static electricity powder coating
- **Adjustable Angle:** V (0°~ 25°)
- **Accessories:** With honeycomb
- **Certification:** CCC
- **IP Rating:** IP20
- **Insulation Level:** Class II
- **Operating Temperature:** -20°C~40°C

**Product Specifications**

- **Cut-out:** 36x36mm
- **Ceiling Thickness:** 1mm~15mm
- **Shielding Angle:** 15°
- **LED Type:** High Power LED
- **Source Lm:** 2700K:474lm;3000K:500lm; 3500K: 522lm  
4000K:531lm;5000K:538lm;
- **LED Lifetime:** >50000h-L70 /B10-Ta25°C(LM-80/TM-21)
- **CCT/CRI:** 2700K/ 3000K/3500K/4000K/5000K, Ra90
- **SDCM:** 3 SDCM
- **Input:** 220V~240V AC / 50Hz
- **Dimming:** ON/OFF/0-10V/DALI
- **Net Weight:** 0.1Kg without packing

**Order Model**

Model	Size	Trim	LED	Driver	Beam	CCT	Reflector	Finish
ADDT Downlight Directional T series	1 1"	5 Square Trim	LD05 LED 5W	E On-Off	1 15°	27 2700K	WT White	WT White
				D 0-10V	2 24°	30 3000K		
				Dimming	3 36°	35 3500K		
				A DALI	5 50°	40 4000K	BK Black	BK Black
				N No Driver		50 5000K		

Example: ADDT15-LD05E230WWT

WAC Lighting  
 www.waclighting.com (US)  
 www.waclighting.net (International)

Headquarters  
 44 Harbor Park Drive • Port Washington, NY  
 Phone (516) 515.5000 • Fax (516) 515.5050

**WAC GROUP**  
 TECHNOLOGY ILLUMINATED

**VOLTA- MODEL: ADDT15**  
**1 IN SQUARE RECESSED ADJUSTABLE**

**WAC ARCHITECTURAL**

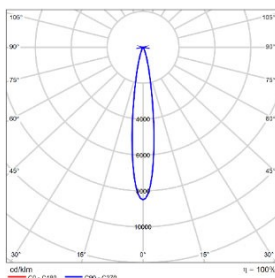
PROJECT:

TYPE:

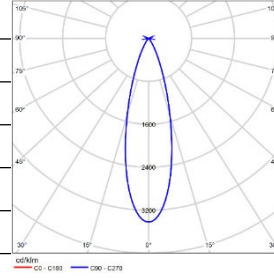
**Accessory**

/

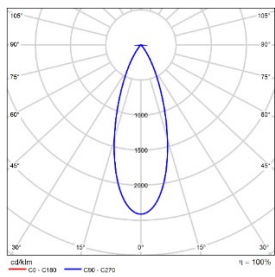
**LIGHT DISTRIBUTION@3000K LUMINAIRE DATA**



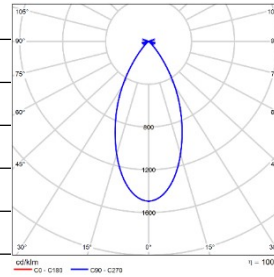
**Model :** ADDT15-LD08E130SWT  
**Beam :** 15°  
**Power :** 5.5W  
**Lumens :** 274lm  
**CBCP :** 2185cd  
**Efficacy :** 50lm/W



**Model :** ADDT15-LD08E230SWT  
**Beam :** 24°  
**Power :** 5.5W  
**Lumens :** 235lm  
**CBCP :** 914cd  
**Efficacy :** 43lm/W



**Model :** ADDT15-LD08E330SWT  
**Beam :** 36°  
**Power :** 5.5W  
**Lumens :** 218lm  
**CBCP :** 477cd  
**Efficacy :** 40lm/W



**Model :** ADDT15-LD08E530SWT  
**Beam :** 50°  
**Power :** 5.5W  
**Lumens :** 184lm  
**CBCP :** 281cd  
**Efficacy :** 33lm/W