

# FALCON ROUND WW - MODEL: ATL71W

## W Track Luminaires

WAC ARCHITECTURAL

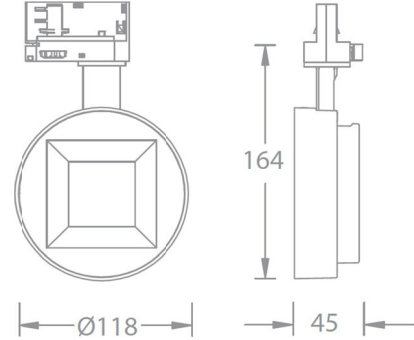
PROJECT :

TYPE :

### Product Image



### Line Drawing



### Product Description

The FALCON Round Wall Washer series (hereinafter referred to as WW) LED track spotlights are suitable for W three circuit tracks. The lamp structure is slim and three-dimensional, and through WAC's careful optical design, it provides accurate wall washing and light distribution effects. The lamp is equipped with high-quality LED constant current appliances and can choose advanced wireless dimming control functions, which are widely used in museums, art galleries, science museums and other places.

### Product Features

- Body Material: Aluminum alloy die-casting lamp body, PC optical components
- Optical System: doublet lens
- Finish: Electrostatic powder coating, black (BK), white (WT)
- Adjustable Angle: Horizontal adjustment from 0 ° to 365 °; Vertical 0-90 ° adjustment
- Accessories: At most, anti glare accessories can be installed
- Certification: CCC/CE
- IP Rating: IP20
- Insulation Level: Class I
- Operating Temperature: -20°C~40°C

### Product Specifications

- Light source type: HP LED
- Light source power: 8W or 12W optional
- Luminous flux of light source: 3000K: 700lm(8W) / 875lm(12W)  
4000K: 740lm(8W) / 925lm(12W)
- LED Lifetime: >50000h-L70 /B10-Ta25°C(LM-80/TM-21)
- CCT/CRI: 3000K/4000K; Ra90 and Ra97 are optional
- SDCM: 3 SDCM
- Input: 220V~240V AC / 50Hz
- Dimming: Knob dimming (range 10-100%), wireless dimming (requires WAC system)  
DALI, 0-10V dimming (compatibility testing must be conducted with the project site in advance)
- Net Weight: 0.6Kg without packing

### Order Model

Model	LED	Dimming	Beam	CRI	CCT	Finish
ATL71W		<b>O</b> On-boarding				
FALCON	<b>LD08</b> LED 8W	<b>D</b> 0-10V	<b>W</b> Wall washer	<b>9</b> 90	<b>30</b> 3000K	<b>WT</b> White
ROUND	<b>LD12</b> LED 12W	<b>B</b> Wireless		<b>A</b> 97	<b>40</b> 4000K	<b>BK</b> Black
WW		<b>A</b> DALI				
ATL71W	LD08	O	W	9	30	WT

Example: ATL71WLD08-OW930WT

# FALCON ROUND WW - MODEL: ATL71W

## W Track Luminaires

WAC ARCHITECTURAL

PROJECT :

TYPE :

### Accessory

**ALENS-TL71WSUBROSA**  
Hidden Light Projection Module

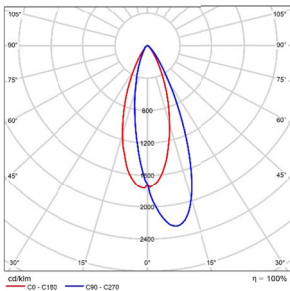


**ALENS-TL71S-BD**  
Four leaf shading board

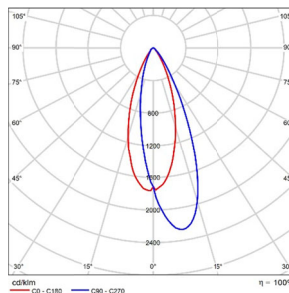


Attention: Please refer to the manual when installing the hidden light projection component.

### LIGHT DISTRIBUTION@3000K LUMINAIRE DATA



**MODEL :** ATL71WLD08-OW930  
**BEAM ANGLE :** Wall Washer  
**POWER :** 10W  
**LUMENS :** 449lm  
**CBCP :** /  
**EFFICACY :** 45lm/W



**MODEL :** ATL71WLD12-OW930  
**BEAM ANGLE :** Wall Washer  
**POWER :** 16W  
**LUMENS :** 628lm  
**CBCP :** /  
**EFFICACY :** 39lm/W

# FALCON ROUND WW - MODEL: ATL72W

## W Track Luminaires

WAC ARCHITECTURAL

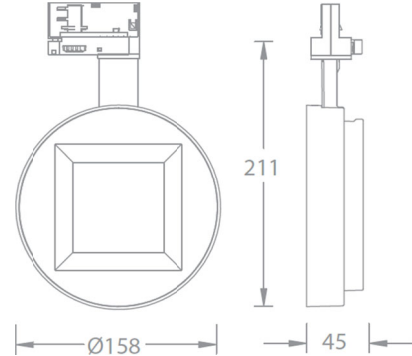
PROJECT :

TYPE :

### Product Image



### Line Drawing



### Product Description

The FALCON Round Wall Washer series (hereinafter referred to as WW) LED track spotlights are suitable for W three circuit tracks. The lamp structure is slim and three-dimensional, and through WAC's careful optical design, it provides accurate wall washing and light distribution effects. The lamp is equipped with high-quality LED constant current appliances and can choose advanced wireless dimming control functions, which are widely used in museums, art galleries, science museums and other places.

### Product Features

- Body Material: Aluminum alloy die-casting lamp body, PC optical components
- Optical System: doublet lens
- Finish: Electrostatic powder coating, black (BK), white (WT)
- Adjustable Angle: Horizontal adjustment from 0 ° to 365 °; Vertical 0-90 ° adjustment
- Accessories: At most, anti glare accessories can be installed
- Certification: CCC/CE
- IP Rating: IP20
- Insulation Level: Class I
- Operating Temperature: -20°C~40°C

### Product Specifications

- Light source type: HP LED
- Light source power: 18W or 27W optional
- Luminous flux of light source: 3000K: 1575lm(18W) / 2125lm(27W)  
4000K: 1665lm(18W) / 2245lm(27W)
- LED Lifetime: >50000h-L70 /B10-Ta25 °C(LM-80/TM-21)
- CCT/CRI: 3000K/4000K; Ra90 and Ra97 are optional
- SDCM: 3 SDCM
- Input: 220V~240V AC / 50Hz
- Dimming: Knob dimming (range 10-100%), wireless dimming (requires WAC system)  
DALI, 0-10V dimming (compatibility testing must be conducted with the project site in advance)
- Net Weight: 0.9Kg without packing

### Order Model

Model	LED	Dimming	Beam	CRI	CCT	Finish
ATL72W		○ On-boarding				
FALCON	<b>LD18</b> LED18W	<b>D</b> 0-10V	<b>W</b> Wall washer	<b>9</b> 90	<b>30</b> 3000K	<b>WT</b> White
ROUND	<b>LD27</b> LED27W	<b>B</b> Wireless		<b>A</b> 97	<b>40</b> 4000K	<b>BK</b> Black
WW		<b>A</b> DALI				
ATL72W	LD18	O	W	9	30	WT

Example: ATL72WLD18-OW930WT

# FALCON ROUND WW - MODEL: ATL72W

## W Track Luminaires

WAC ARCHITECTURAL

PROJECT :

TYPE :

### Accessory

**ALENS-TL71WSUBROSA**  
Hidden Light Projection Module

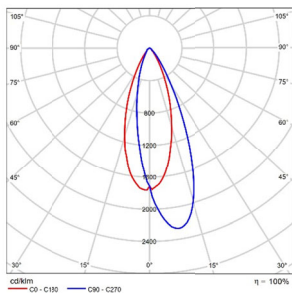


**ALENS-TL71S-BD**  
Four leaf shading board

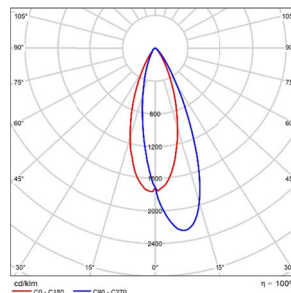


Attention: Please refer to the manual when installing the hidden light projection component.

### LIGHT DISTRIBUTION@3000K LUMINAIRE DATA



**MODEL :** ATL72WLD18-OW930  
**BEAM ANGLE :** Wall Washer  
**POWER :** 21W  
**LUMENS:** 1172lm  
**CBCP :** /  
**EFFICACY :** 56lm/W



**MODEL :** ATL72WLD72-OW930  
**BEAM ANGLE :** Wall Washer  
**POWER :** 31W  
**LUMENS:** 1641lm  
**CBCP :** /  
**EFFICACY :** 53lm/W

# FALCON ROUND WW - MODEL: ATL73W

## W Track Luminaires

WAC ARCHITECTURAL

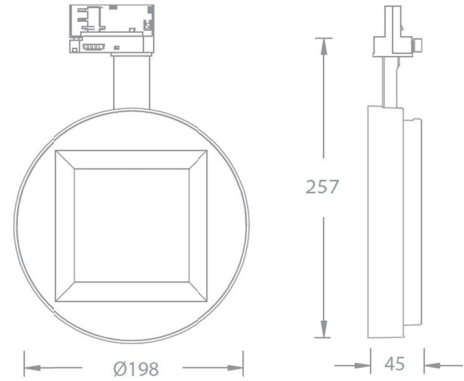
PROJECT :

TYPE :

### Product Image



### Line Drawing



### Product Description

The FALCON Round Wall Washer series (hereinafter referred to as WW) LED track spotlights are suitable for W three circuit tracks. The lamp structure is slim and three-dimensional, and through WAC's careful optical design, it provides accurate wall washing and light distribution effects. The lamp is equipped with high-quality LED constant current appliances and can choose advanced wireless dimming control functions, which are widely used in museums, art galleries, science museums and other places.

### Product Features

- Body Material: Aluminum alloy die-casting lamp body, PC optical components
- Optical System: doublet lens
- Finish: Electrostatic powder coating, black (BK), white (WT)
- Adjustable Angle: Horizontal adjustment from 0 ° to 365 °; Vertical 0-90 ° adjustment
- Accessories: At most, anti glare accessories can be installed
- Certification: CCC/CE
- IP Rating: IP20
- Insulation Level: Class I
- Operating Temperature: -20°C~40°C

### Product Specifications

- Light source type: HP LED
- Light source power: 32W or 42W optional
- Luminous flux of light source: 3000K: 2800lm(32W) / 2960lm(42W)  
4000K: 3500lm(32W) / 3700lm(42W)
- LED Lifetime: >50000h-L70 /B10-Ta25°C(LM-80/TM-21)
- CCT/CRI: 3000K/4000K; Ra90 and Ra97 are optional
- SDCM: 3 SDCM
- Input: 220V~240V AC / 50Hz
- Dimming: Knob dimming (range 10-100%), wireless dimming (requires WAC system)  
DALI, 0-10V dimming (compatibility testing must be conducted with the project site in advance)
- Net Weight: 1.3Kg without packing

### Order Model

Model	LED	Dimming	Beam	CRI	CCT	Finish
ATL73W		<b>O</b> On-boarding				
FALCON	<b>LD32</b> LED32W	<b>D</b> 0-10V	<b>W</b> Wall washer	<b>9</b> 90	<b>30</b> 3000K	<b>WT</b> White
ROUND	<b>LD43</b> LED43W	<b>B</b> Wireless		<b>A</b> 97	<b>40</b> 4000K	<b>BK</b> Black
WW		<b>A</b> DALI				
ATL73W	LD32	O	W	9	30	WT

Example: ATL73WLD32-OW930WT

WAC Lighting  
www.waclighting.com (US)  
www.waclighting.net (International)

Headquarters  
44 Harbor Park Drive • Port Washington, NY  
Phone (516) 515.5000 • Fax (516) 515.5050

WAC GROUP  
TECHNOLOGY ILLUMINATED

WAC Lighting reserves the right to periodically design and update products. 2025-08-12

# FALCON ROUND WW - MODEL: ATL73W

## W Track Luminaires

WAC ARCHITECTURAL

PROJECT :

TYPE :

### Accessory

**ALENS-TL71WSUBROSA**  
Hidden Light Projection Module

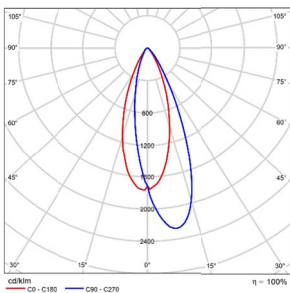


**ALENS-TL71S-BD**  
Four leaf shading board

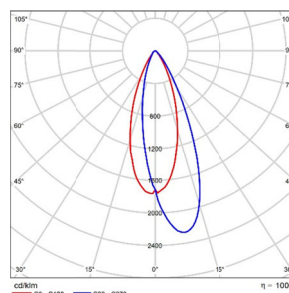


Attention: Please refer to the manual when installing the hidden light projection component.

### LIGHT DISTRIBUTION@3000K LUMINAIRE DATA



**MODEL :** ATL73WLD32-OW930  
**BEAM ANGLE :** Wall Washer  
**POWER :** 36W  
**LUMENS:** 1814lm  
**CBCP :** /  
**EFFICACY :** 50lm/W



**MODEL :** ATL73WLD43-OW930  
**BEAM ANGLE :** Wall Washer  
**POWER :** 48W  
**LUMENS:** 2302lm  
**CBCP :** /  
**EFFICACY :** 48lm/W