

# FUEGO COMPACT MODEL: AEIR5N

In-ground Luminaires

WAC ARCHITECTURAL

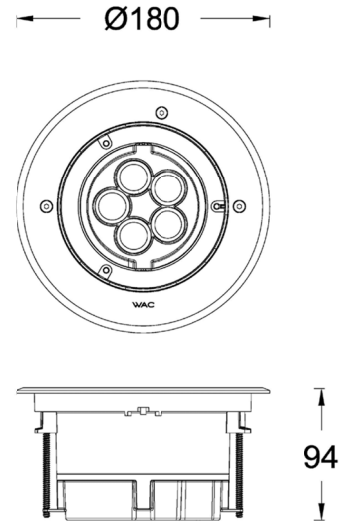
PROJECT:

TYPE:

## Product Image



## Line Drawing



## Product Description

FUEGO Compact Adjustable, the face frame is made of high quality 316 stainless steel, the body is made of die-cast aluminum and powder coated at high temperature. Adjustable angle range 0°~30°. Suitable for outdoor environments, IP67 protection, IK10 impact resistance, 2000kg pressure resistance, high transmittance lens + anti-glare system. With the design of pre-buried cylinder, it is convenient for installation and maintenance. Applied to residential areas, such as parks, plazas, shopping centers as well as applied to facade lighting.

## Product Features

- Body Material: Aluminum alloy die-casting + Stainless steel frame
- Optical System: Lens+SUBROSA® Hidden light system
- Finish: Static electricity powder coating
- Adjustable Angle: 0°~30°
- Accessories: /
- Certification: CCC
- IP Rating: IP67,IK10
- Insulation Level: Class I
- Operating Temperature: -20°C~50°C

## Product Specifications

- LED Type : HIGH POWER LED
- LED Power: 8W Max
- Source Lm: 3000K 930lm
- LED Lifetime: >50000h-L70 / B10-Ta25°C(LM-80/TM-21)
- CCT/CRI: 2700K, 3000K ,4000K, Ra80
- SDCM: 3 SDCM
- Input: 220V AC/50Hz
- Dimming: ON-OFF
- Net Weight: 2.3Kg without packing

## Order Model

Model	Comment	Power (W)	LEDs (quantity)	Max Lumens (lm)	Control Systems	Beam	CCT	Finish
AEIR5N	A Adjustable	08 08(Max)	5	531	EL ON-OFF 220V AC Power Supply	5 7°	27 2700K 30 3000K 40 4000K	SS Stainless Steel
						1 14°		
						2 20°		
						3 30°		

Example: AEIR5NA-08ELS27SS

WAC Lighting  
www.waclighting.com (US)  
www.waclighting.net (International)

Headquarters  
44 Harbor Park Drive • Port Washington, NY  
Phone (516) 515.5000 • Fax (516) 515.5050

WAC GROUP  
TECHNOLOGY ILLUMINATED

# FUEGO COMPACT - MODEL: AEIR5N

WAC ARCHITECTURAL

In-ground Luminaires

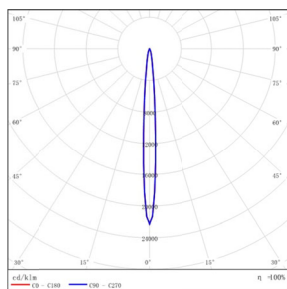
PROJECT:

TYPE:

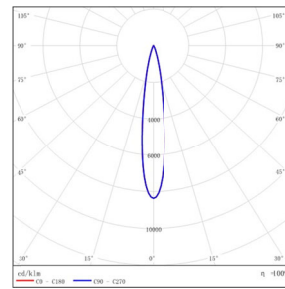
## Accessory

Item	Description	Pic	Description Dimensions
AER15NA-RC001	Recessed Casing		

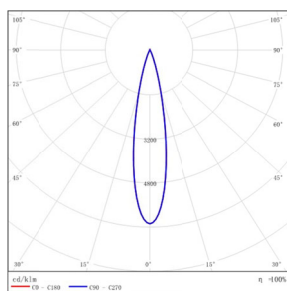
## LIGHT DISTRIBUTION@3000K LUMINAIRE DATA



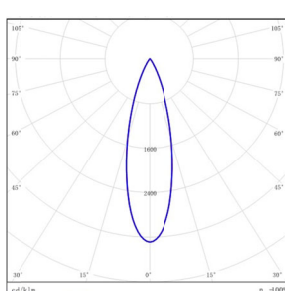
**MODEL:** AEIR5NA-08ELS30SS  
**BEAM ANGLE:** 6.9°  
**POWER:** 9.6W  
**LUMENS:** 531.2 lm  
**CBCP:** /  
**EFFICACY:** 55.23 lm /W



**MODEL:** AEIR5NA-08EL130SS  
**BEAM ANGLE:** 14.6°  
**POWER:** 9.5W  
**LUMENS:** 501.9 lm  
**CBCP:** /  
**EFFICACY:** 53.14 lm /W



**MODEL:** AEIR5NA-08EL230SS  
**BEAM ANGLE:** 20.2°  
**POWER:** 9.5W  
**LUMENS:** 521.7 lm  
**CBCP:** /  
**EFFICACY:** 54.9 lm /W



**MODEL:** AEIR5NA-08EL330SS  
**BEAM ANGLE:** 30°  
**POWER:** 9.6 W  
**LUMENS:** 515.5 lm  
**CBCP:** /  
**EFFICACY:** 53.8 lm /W

# FUEGO COMPACT - MODEL: AEIR6N

WAC ARCHITECTURAL

In-ground Luminaires

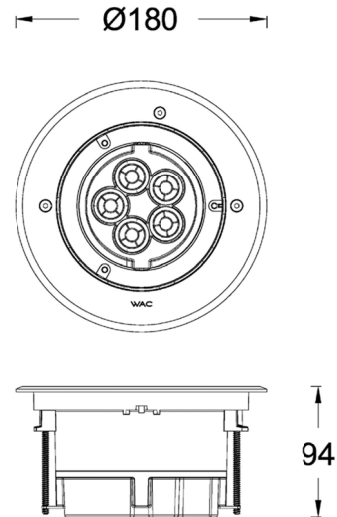
PROJECT:

TYPE:

## Product Image



## Line Drawing



## Product Description

FUEGO Compact Adjustable, the face frame is made of high quality 316 stainless steel, the body is made of die-cast aluminum and powder coated at high temperature. Adjustable angle range 0°~30°. Suitable for outdoor environments, IP67 protection, IK10 impact resistance, 2000kg pressure resistance, high transmittance lens + anti-glare system. With the design of pre-buried cylinder, it is convenient for installation and maintenance. Applied to residential areas, such as parks, plazas, shopping centers as well as applied to facade lighting.

## Product Features

- Body Material: Aluminum alloy die-casting + Stainless steel frame
- Optical System: Lens+SUBROSA® Hidden light system
- Finish: Static electricity powder coating
- Adjustable Angle: 0°~30°
- Accessories: /
- Certification: CCC
- IP Rating: IP67, IK10
- Insulation Level: Class I
- Operating Temperature: -20°C~50°C

## Product Specifications

- LED Type : HIGH POWER LED
- LED Power: 8W Max
- Source Lm: 3000K 930lm
- LED Lifetime: >50000h-L70 / B10-Ta25°C(LM-80/TM-21)
- CCT/CRI: 2700K, 3000K, 4000K, Ra80
- SDCM: 3 SDCM
- Input: 220V AC/50Hz
- Dimming: ON-OFF
- Net Weight: 2.3Kg without packing

## Order Model

Model	Comment	Power (W)	LEDs (quantity)	Max Lumens (lm)	Control Systems	Beam	CCT	Finish
AEIR6N	A Adjustable	08 08(Max)	5	369	EL ON-OFF 220V AC Power Supply	S 7°	27 2700K 30 3000K 40 4000K	SS Stainless Steel
						1 13°		
						2 20°		
						3 30°		

Example: AEIR6NA-08ELS27SS

WAC Lighting  
www.waclighting.com (US)  
www.waclighting.net (International)

Headquarters  
44 Harbor Park Drive • Port Washington, NY  
Phone (516) 515.5000 • Fax (516) 515.5050

WAC GROUP  
TECHNOLOGY ILLUMINATED

WAC Lighting reserves the right to periodically design and update products. 2025-08-12

# FUEGO COMPACT - MODEL: AEIR6N

WAC ARCHITECTURAL

In-ground Luminaires

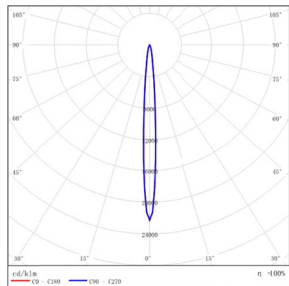
PROJECT:

TYPE:

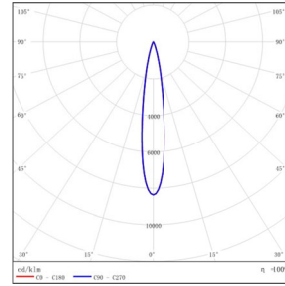
## Accessory

Item	Description	Pic	Description Dimensions
AEIR5NA-RC001	Recessed Casing		

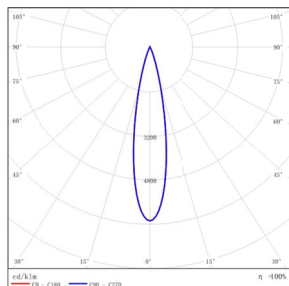
## LIGHT DISTRIBUTION@3000K LUMINAIRE DATA



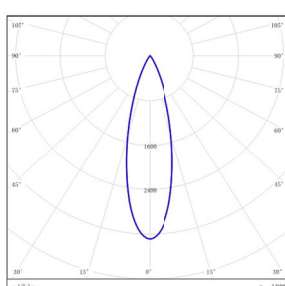
**MODEL:** AEIR6NA-08ELS30SS  
**BEAM ANGLE:** 7.3°  
**POWER:** 9.6W  
**LUMENS:** 369 lm  
**CBCP:** /  
**EFFICACY:** 38.32 lm /W



**MODEL:** AEIR6NA-08EL130SS  
**BEAM ANGLE:** 13.1°  
**POWER:** 9.4W  
**LUMENS:** 300 lm  
**CBCP:** /  
**EFFICACY:** 31.74 lm /W



**MODEL:** AEIR6NA-08EL2230SS  
**BEAM ANGLE:** 20°  
**POWER:** 9.5W  
**LUMENS:** 321 lm  
**CBCP:** /  
**EFFICACY:** 33.83 lm /W



**MODEL:** AEIR6NA-08EL330SS  
**BEAM ANGLE:** 30°  
**POWER:** 9.6 W  
**LUMENS:** 322 lm  
**CBCP:** /  
**EFFICACY:** 33.61 lm /W