

# FUEGO COMPACT - MODEL: AEIR5M

WAC ARCHITECTURAL

In-ground Luminaires

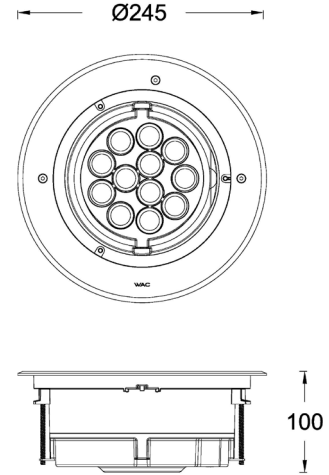
PROJECT:

TYPE:

Product Image



Line Drawing



## Product Description

FUEGO Compact Adjustable has an adjustable angle range of 0 °~25 °. The surface frame is made of high-quality stainless steel, and the lamp body is aluminum die-casting and high-temperature powder spraying. Suitable for outdoor environments, IP67 protection level, IK10 impact resistance level, can withstand pressure of 2000kg. High transmittance lens+hidden light system. Cooperate with the design of the embedded cylinder to facilitate customer installation and maintenance. Applied to residential areas, squares, parks, shopping centers, sculpture decoration lighting, etc.

## Product Features

- Body Material: Stainless steel frame+aluminum die-casting lamp body
- Optical System: Lens+SUBROSA® Hidden light system
- Finish: Static electricity powder coating
- Adjustable Angle: 0-25° tilt
- Accessories: As attached
- Certification: CCC
- IP Rating: IP67, IK10
- Insulation Level: Class I
- Operating Temperature: -20°C~50°C

## Product Specifications

- LED Type: HP LED
- Light power: 16.5W Max
- Source Lm: 3000K 1830LM
- LED Lifetime: >50000h-L70 /B10-Ta25°C(LM-80/TM-21)
- CCT/CRI: 2700K, 3000K, 4000K, Ra80;
- SDCM: 3 SDCM
- Input: 220V AC / 50Hz
- Dimming: On-off /
- Net Weight: 3.9Kg without packing

## Order Model

Model	Comment	Power (W)	LEDs (quantity)	Max Lumens(lm)	Control Systems	CCT	Beam	Finish
AEIR5M	A Adjustable	16	12	1348	EL ON-OFF 220V AC Power Supply	27 2700K	S 7°	SS Stainless Steel
		16(Max)				30 3000K	1 14°	
						40 4000K	2 20°	
							3 30°	

Example: AEIR5MA-16ELS27SS

WAC Lighting  
www.waclighting.com (US)  
www.waclighting.net (International)

Headquarters  
44 Harbor Park Drive • Port Washington, NY  
Phone (516) 515.5000 • Fax (516) 515.5050


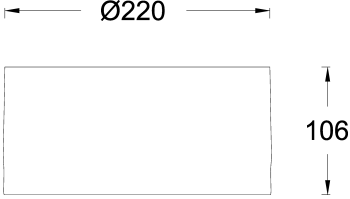
WAC GROUP  
TECHNOLOGY ILLUMINATED

**In-ground Luminaires**

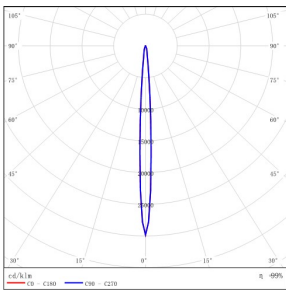
PROJECT:

TYPE:

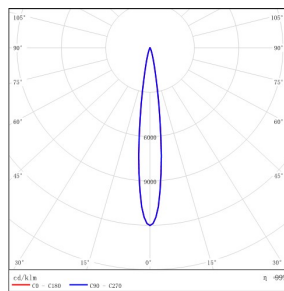
**Accessories**

Item	Description	Pic	Description Dimensions
AEIR5MA-RC001	Recessed Casing		

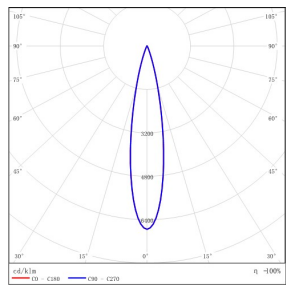
**LIGHT DISTRIBUTION@3000K LUMINAIRE DATA**



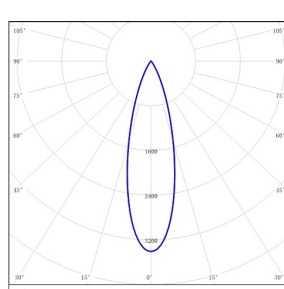
**MODEL:** AEIR5MA-16ELS30SS  
**BEAM ANGLE:** 6.9°  
**POWER:** 21.8W  
**LUMENS:** 1348lm  
**CBCP:** /  
**EFFICACY:** 61.75lm/W



**MODEL:** AEIR5MA-16EL130SS  
**BEAM ANGLE:** 14.4°  
**POWER:** 21.4W  
**LUMENS:** 1243.3lm  
**CBCP:** /  
**EFFICACY:** 58.1lm/W



**MODEL:** AEIR5MA-16EL230SS  
**BEAM ANGLE:** 20.3°  
**POWER:** 21.45W  
**LUMENS:** 1234.9lm  
**CBCP:** /  
**EFFICACY:** 57.56lm/W



**MODEL:** AEIR5MA-16EL330SS  
**BEAM ANGLE:** 30°  
**POWER:** 21.4W  
**LUMENS:** 1192.6lm  
**CBCP:** /  
**EFFICACY:** 55.64lm/W

# FUEGO COMPACT - MODEL: AEIR6M

WAC ARCHITECTURAL

In-ground Luminaires

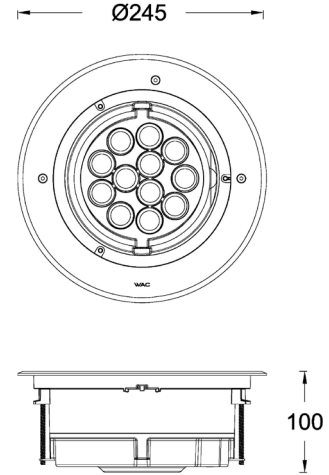
PROJECT:

TYPE:

## Product Image



## Line Drawing



## Product Description

FUEGO Compact Adjustable has an adjustable angle range of 0 °~25 °. The surface frame is made of high-quality stainless steel, and the lamp body is aluminum die-casting and high-temperature powder spraying. Suitable for outdoor environments, IP67 protection level, IK10 impact resistance level, can withstand pressure of 2000kg. High transmittance lens+hidden light system. Cooperate with the design of the embedded cylinder to facilitate customer installation and maintenance. Applied to residential areas, squares, parks, shopping centers, sculpture decoration lighting, etc.

## Product Features

- Body Material: Stainless steel frame+aluminum die-casting lamp body
- Optical System: Lens+SUBROSA® Hidden light system
- Finish: Static electricity powder coating
- Adjustable Angle: 0-25° tilt
- Accessories: As attached
- Certification: CCC
- IP Rating: IP67, IK10
- Insulation Level: Class I
- Operating Temperature: -20°C~50°C

## Product Specifications

- LED Type: HP LED
- Light power: 16.5W Max
- Source Lm: 3000K 1830LM
- LED Lifetime: >50000h-L70 /B10-Ta25°C(LM-80/TM-21)
- CCT/CRI: 2700K, 3000K, 4000K, Ra80;
- SDCM: 3 SDCM
- Input: 220V AC / 50Hz
- Dimming: On-off /
- Net Weight: 3.9Kg without packing

## Order Model

Model	Comment	Power (W)	LEDs (quantity)	Max Lumens(lm)	Control Systems	CCT	Beam	Finish
AEIR6M	A Adjustable	16	12	936	EL ON-OFF 220V AC Power Supply	27 2700K	S 7°	SS Stainless Steel
		16(Max)				30 3000K	1 13°	
						40 4000K	2 20°	
							3 30°	

Example: AEIR5MA-16ELS27SS

WAC Lighting  
www.waclighting.com (US)  
www.waclighting.net (International)

Headquarters  
44 Harbor Park Drive • Port Washington, NY  
Phone (516) 515.5000 • Fax (516) 515.5050

WAC GROUP  
TECHNOLOGY ILLUMINATED

## In-ground Luminaires

PROJECT:

TYPE:

### Accessories

Item	Description	Pic	Description Dimensions
AEIR5MA-RC001	Recessed Casing		

### LIGHT DISTRIBUTION@3000K LUMINAIRE DATA

