

FUEGO COMPACT- MODEL: AEIR7N

WAC ARCHITECTURAL

In-ground Luminaires

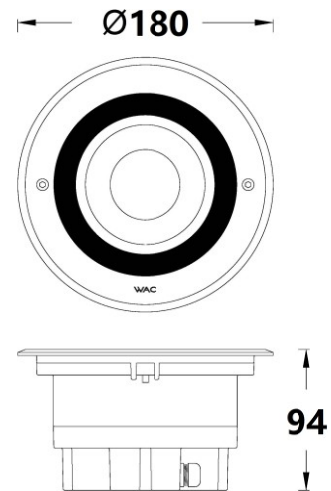
Project Name:

Type:

Product Image



Line Drawing



Product Description

FUEGO Compact adopts high quality 316 stainless steel for the face frame, aluminum die-casting and high temperature powder coating for the body. Suitable for outdoor environments, IP68 protection, IK10 anti-impact rating, anti-pressure 2000kg, high transmittance lens + patented anti-glare system. With the design of pre-buried cylinder, it is convenient for installation and maintenance. Applied to residential areas, such as parks, plazas, shopping centers as well as applied to facade lighting.

Product Features

- **Body Material :** Aluminum alloy die-casting + Stainless steel frame
- **Optical System :** Lens
- **Finish :** Static electricity powder coating
- **Adjustable Angle :** /
- **Accessories :** Embedded cylinder
- **Certification :** CCCC
- **IP Rating:** IK10, IP68 (Not suitable for permanent under water installation)
- **Insulation Level :** Class I
- **Operating Temperature :** -20°C~50°C

Product Specifications

- **LED Type :** COB
- **LED Power :** 13W Max
- **Source Lm :** 3000K 1430lm
- **LED Lifetime :** >50000h-L70 /B10-Ta25°C(LM-80/TM-21)
- **CCT/CRI :** 2700K , 3000K , 4000K , Ra90
- **SDCM :** 3 SDCM
- **Input :** 220V AC/50Hz
- **Dimming :** ON-OFF
- **Net Weight :** 1.6Kg , without packing

Order Model

Model	Comment	Power (W)	LEDs (quantity)	Max Lumens (lm)	Control Systems	Beam	CCT	Finish
AEIR7N	F Frame	13 13(Max)	COB	1080	EL ON-OFF 220V AC Power Supply	1 17°	27 2700K 30 3000K 40 4000K	SS Stainless Steel
High Lumens						2 29°		
						4 49°		
						6 62°		

Example: AEIR7NF-13EL127SS

WAC Lighting
www.waclighting.com (US)
www.waclighting.net (International)

Headquarters
44 Harbor Park Drive • Port Washington, NY
Phone (516) 515.5000 • Fax (516) 515.5050

WAC GROUP
TECHNOLOGY ILLUMINATED

WAC Lighting reserves the right to periodically design and update products. 2025-08-12

FUEGO COMPACT- MODEL: AEIR7N

In-ground Luminaires

WAC ARCHITECTURAL

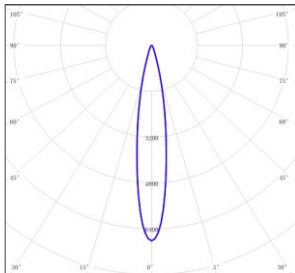
Project Name:

Type:

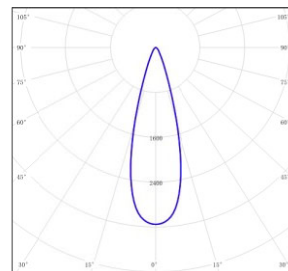
Accessory

Item	Description	Pic	Description Dimensions
AEIR5NF-RC001	Recessed Casing		

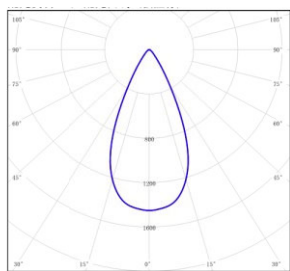
LIGHT DISTRIBUTION@3000K LUMINAIRE DATA



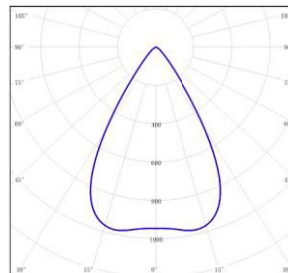
MODEL : AEIR7NF-13EL130SS
 BEAM ANGLE : 17°
 POWER : 14.17W
 LUMENS: 916 lm
 CBCP : /
 EFFICACY : 64.65 lm /W



MODEL : AEIR7NF-13EL230SS
 BEAM ANGLE : 29°
 POWER : 14.12W
 LUMENS: 949 lm
 CBCP : /
 EFFICACY : 67.2 lm /W



MODEL : AEIR7NF-13EL430SS
 BEAM ANGLE : 48.5°
 POWER : 14.12W
 LUMENS: 1009 lm
 CBCP : /
 EFFICACY : 71.5 lm /W



MODEL : AEIR7NF-13EL630SS
 BEAM ANGLE : 62.2°
 POWER : 14.11W
 LUMENS: 1080 lm
 CBCP : /
 EFFICACY : 76.5 lm /W

FUEGO COMPACT- MODEL: AEIR8N

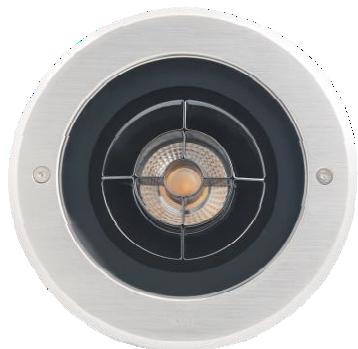
WAC ARCHITECTURAL

In-ground Luminaires

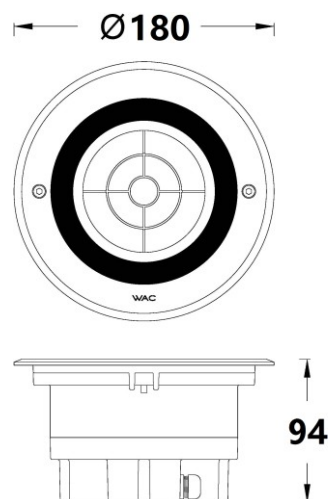
Project Name:

Type:

Product Image



Line Drawing



Product Description

FUEGO Compact adopts high quality 316 stainless steel for the face frame, aluminum die-casting and high temperature powder coating for the body. Suitable for outdoor environments, IP68 protection, IK10 anti-impact rating, anti-pressure 2000kg, high transmittance lens + patented anti-glare system. With the design of pre-buried cylinder, it is convenient for installation and maintenance. Applied to residential areas, such as parks, plazas, shopping centers as well as applied to facade lighting.

Product Features

- **Body Material** : Aluminum alloy die-casting + Stainless steel frame
- **Optical System** : Lens
- **Finish** : Static electricity powder coating
- **Adjustable Angle** : /
- **Accessories** : Embedded cylinder
- **Certification** : CCC
- **IP Rating** : IK10, IP68 (Not suitable for permanent under water installation)
- **Insulation Level** : Class I
- **Operating Temperature** : -20°C~50°C

Product Specifications

- **LED Type** : COB
- **LED Power** : 13W Max
- **Source Lm** : 3000K 1430lm
- **LED Lifetime** : >50000h-L70 /B10-Ta25°C(LM-80/TM-21)
- **CCT/CRI** : 2700K , 3000K , 4000K , Ra90
- **SDCM** : 3 SDCM
- **Input** : 220V AC/50Hz
- **Dimming** : ON-OFF
- **Net Weight** : 1.6Kg , without packing

Order Model

Model	Comment	Power (W)	LEDs (quantity)	Max Lumens (lm)	Control Systems	Beam	CCT	Finish
AEIR8N	F Frame	13 13(Max)	COB	537	EL ON-OFF 220V AC Power Supply	1 17°	27 2700K 30 3000K 40 4000K	SS Stainless Steel
Super						2 26°		
Comfort						4 41°		
						6 60°		

Example: AEIR8NF-13EL127SS

WAC Lighting
www.waclighting.com (US)
www.waclighting.net (International)

Headquarters
44 Harbor Park Drive • Port Washington, NY
Phone (516) 515.5000 • Fax (516) 515.5050

WAC GROUP
TECHNOLOGY ILLUMINATED

FUEGO COMPACT- MODEL: AEIR8N

In-ground Luminaires

WAC ARCHITECTURAL

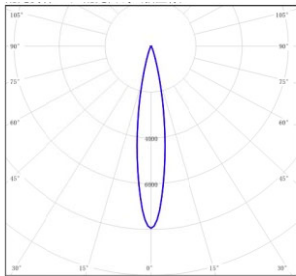
Project Name:

Type:

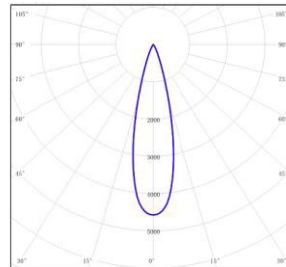
Accessory

Item	Description	Pic	Description Dimensions
AEIR5NF-RC001	Recessed Casing		

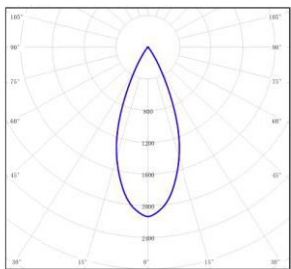
LIGHT DISTRIBUTION@3000K LUMINAIRE DATA



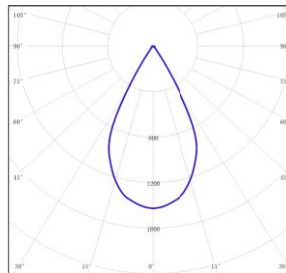
MODEL :	AEIR8NF-13EL130SS
BEAM ANGLE :	17.4°
POWER :	14.14W
LUMENS:	507 lm
CBCP :	/
EFFICACY :	35.8 lm /W



MODEL :	AEIR8NF-13EL230SS
BEAM ANGLE :	25.6°
POWER :	14.12W
LUMENS:	519 lm
CBCP :	/
EFFICACY :	36.7 lm /W



MODEL :	AEIR8NF-13EL430SS
BEAM ANGLE :	41.3°
POWER :	14.12W
LUMENS:	498 lm
CBCP :	/
EFFICACY :	35.3 lm /W



MODEL :	AEIR8NF-13EL630SS
BEAM ANGLE :	60°
POWER :	14.12W
LUMENS:	537 lm
CBCP :	/
EFFICACY :	38 lm /W