

# FUEGO COMPACT- MODEL: AEIR7M In-ground Luminaires

WAC ARCHITECTURAL

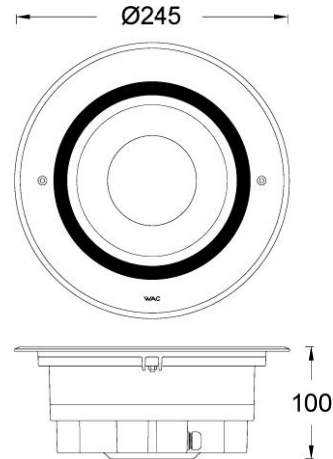
Project Name:

Type:

## Product Image



## Line Drawing



## Product Description

FUEGO Compact adopts high quality 316 stainless steel for the face frame, aluminum die-casting and high temperature powder coating for the body. Suitable for outdoor environments, IP68 protection, IK10 anti-impact rating, anti-pressure 2000kg, high transmittance lens + patented anti-glare system. With the design of pre-buried cylinder, it is convenient for installation and maintenance. Applied to residential areas, such as parks, plazas, shopping centers as well as applied to facade lighting.

## Product Features

- **Body Material** : Aluminum alloy die-casting + Stainless steel frame
- **Optical System** : Lens
- **Finish** : Static electricity powder coating
- **Adjustable Angle**: /
- **Accessories** : Embedded cylinder
- **Certification** : CCC
- **IP Rating** : IK10, IP68 (Not suitable for permanent under water installation)
- **Insulation**: Class I
- **Operating Temperature** : -20°C~50°C

## Product Specifications

- **LED Typ** : COB
- **LED Power** : 31W Max
- **Source Lm** : 3000K 3410lm
- **LED Lifetime** : >50000h-L70 /B10-Ta25°C(LM-80/TM-21)
- **CCT/CRI** : 2700K , 3000K , 4000K , Ra90
- **SDCM** : 3 SDCM
- **Input** : 220V AC/50Hz
- **Dimming** : ON-OFF
- **Net Weight** : 3.4Kg , without packing

## Order Model

Model	Comment	Power (W)	LEDs (quantity)	Max Lumens (lm)	Control Systems	Beam	CCT	Finish
<b>AEIR7M</b>		<b>31</b>				<b>1</b> 14°	<b>27</b> 2700K	<b>SS</b>
High Lumens	F Frame	31(Max)	COB	2970	EL ON-OFF 220V AC Power Supply	<b>2</b> 23°	<b>30</b> 3000K	Stainless
						<b>3</b> 36°	<b>40</b> 4000K	Steel
						<b>6</b> 62°		

Example: AEIR7MF-31EL127SS

WAC Lighting  
www.waclighting.com (US)  
www.waclighting.net (International)

Headquarters  
44 Harbor Park Drive • Port Washington, NY  
Phone (516) 515.5000 • Fax (516) 515.5050

WAC GROUP  
TECHNOLOGY ILLUMINATED

# FUEGO COMPACT- MODEL:

WAC ARCHITECTURAL

## AEIR7M In-ground Luminaires

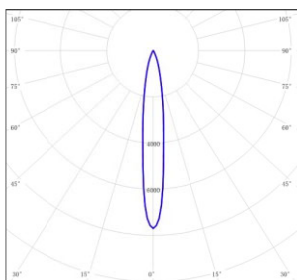
Project Name:

Type:

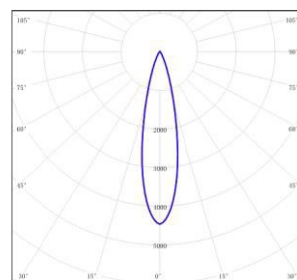
### Accessory

Item	Description	Pic	Description Dimensions
AEIR5MF-RC001	Recessed Casing		

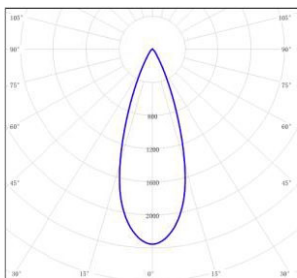
### LIGHT DISTRIBUTION@3000K LUMINAIRE DATA



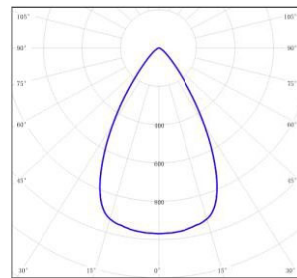
**MODEL :** AEIR7MF-31EL130SS  
**BEAM ANGLE :** 14°  
**POWER :** 34.37W  
**LUMENS:** 2955 lm  
**CBCP :** /  
**EFFICACY :** 86 lm /W



**MODEL :** AEIR7MF-31EL230SS  
**BEAM ANGLE :** 23.3°  
**POWER :** 34.4W  
**LUMENS:** 2930 lm  
**CBCP :** /  
**EFFICACY :** 85.24 lm /W



**MODEL :** AEIR7MF-31EL330SS  
**BEAM ANGLE :** 36.2°  
**POWER :** 34.4W  
**LUMENS:** 2901 lm  
**CBCP :** /  
**EFFICACY :** 84.46 lm /W



**MODEL :** AEIR7MF-31EL630SS  
**BEAM ANGLE :** 61.5°  
**POWER :** 34.4W  
**LUMENS:** 2970 lm  
**CBCP :** /  
**EFFICACY :** 86.47 lm /W

# FUEGO COMPACT- MODEL: AEIR8M In-ground Luminaires

WAC ARCHITECTURAL

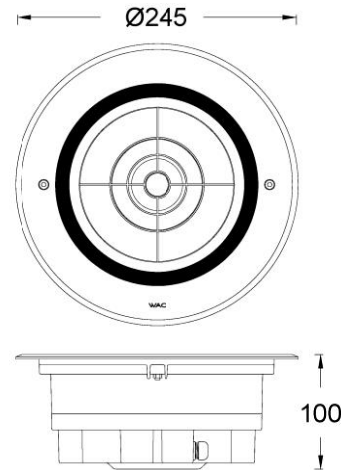
Project Name:

Type:

## Product Image



## Line Drawing



## Product Description

FUEGO Compact adopts high quality 316 stainless steel for the face frame, aluminum die-casting and high temperature powder coating for the body. Suitable for outdoor environments, IP68 protection, IK10 anti-impact rating, anti-pressure 2000kg, high transmittance lens + patented anti-glare system. With the design of pre-buried cylinder, it is convenient for installation and maintenance. Applied to residential areas, such as parks, plazas, shopping centers as well as applied to facade lighting.

## Product Features

- **Body Material :** Aluminum alloy die-casting + Stainless steel frame
- **Optical System :** Lens
- **Finish :** Static electricity powder coating
- **Adjustable Angle:** /
- **Accessories :** Embedded cylinder
- **Ceertification :** CCCC
- **IP Rating :** IK10, IP68 (Not suitable for permanent under water installation)
- **Insulation:** Class I
- **Operating Temperature :** -20°C~50°C

## Product Specifications

- **LED Typ :** COB
- **LED Power :** 31W Max
- **Source Lm :** 3000K 3410lm
- **LED Lifetime :** >50000h-L70 /B10-Ta25°C(LM-80/TM-21)
- **CCT/CRI :** 2700K , 3000K , 4000K , Ra90
- **SDCM :** 3 SDCM
- **Input :** 220V AC/50Hz
- **Dimming :** ON-OFF
- **Net Weight :** 3.4Kg , without packing

## Order Model

Model	Comment	Power (W)	LEDs (quantity)	Max Lumens (lm)	Control Systems	Beam	CCT	Finish
<b>AEIR8M</b>		<b>31</b>				<b>1</b> 13°	<b>27</b> 2700K	<b>SS</b>
Super Comfort	F Frame	31(Max)	COB	1570	EL ON-OFF 220V AC Power Supply	<b>2</b> 20°	<b>30</b> 3000K	Stainless
						<b>3</b> 31°	<b>40</b> 4000K	Steel
						<b>6</b> 60°		

Example: AEIR8MF-31EL127SS

WAC Lighting  
www.waclighting.com (US)  
www.waclighting.net (International)

Headquarters  
44 Harbor Park Drive • Port Washington, NY  
Phone (516) 515.5000 • Fax (516) 515.5050

WAC GROUP  
TECHNOLOGY ILLUMINATED

# FUEGO COMPACT- MODEL:

WAC ARCHITECTURAL

## AEIR8M In-ground Luminaires

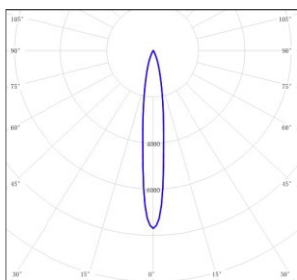
Project Name:

Type:

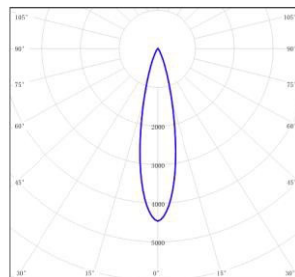
### Accessory

Item	Description	Pic	Description Dimensions
AEIR5MF-RC001	Recessed Casing		

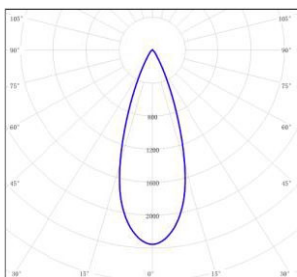
### LIGHT DISTRIBUTION@3000K LUMINAIRE DATA



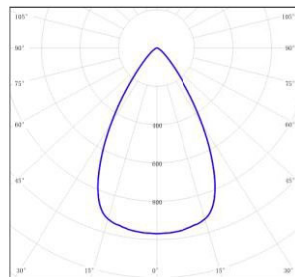
<b>MODEL :</b>	AEIR8MF-31EL130SS
<b>BEAM ANGLE :</b>	13°
<b>POWER :</b>	34.37W
<b>LUMENS:</b>	1495 lm
<b>CBCP :</b>	/
<b>EFFICACY :</b>	43.5 lm /W



<b>MODEL :</b>	AEIR8MF-31EL230SS
<b>BEAM ANGLE :</b>	20°
<b>POWER :</b>	34.4W
<b>LUMENS:</b>	1568.6 lm
<b>CBCP :</b>	/
<b>EFFICACY :</b>	45.6 lm /W



<b>MODEL :</b>	AEIR8MF-31EL330SS
<b>BEAM ANGLE :</b>	31°
<b>POWER :</b>	34.4W
<b>LUMENS:</b>	1520 lm
<b>CBCP :</b>	/
<b>EFFICACY :</b>	44.2 lm /W



<b>MODEL :</b>	AEIR8MF-31EL630SS
<b>BEAM ANGLE :</b>	60°
<b>POWER :</b>	34.4W
<b>LUMENS:</b>	1421 lm
<b>CBCP :</b>	/
<b>EFFICACY :</b>	41.3 lm /W