

Recessed Ceiling Luminaires

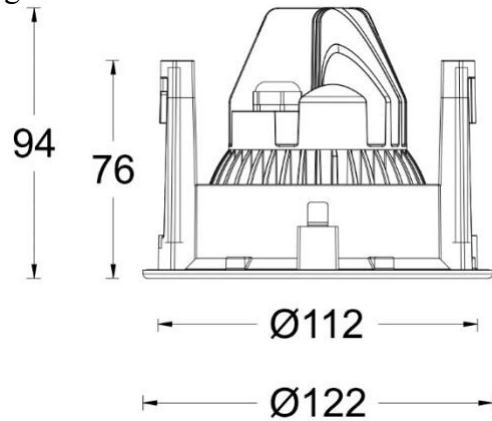
PROJECT:

TYPE:

Product Image



Line Drawing



Product Description

Lanne Pro ADJ embedded tube lamp, with exquisite and concise overall design, exquisite and detailed appearance and structure, installed with screws and sliders. It can adapt to ceilings of different thicknesses and is easy to adjust. Excellent optical performance, with angle adjustment function, the lamp is mainly suitable for functional lighting in public high-altitude areas.

Product Features

- Body Material: Aluminum alloy die-casting lamp body+stainless steel frame
- Optical System: Lens
- Finish: Static electricity powder coating
- Adjustable Angle: Horizontal 355 °, vertical ± 25 °
- Accessories: /
- Certification: CCC
- IP Rating: IP65
- Insulation Level: Class I
- Operating Temperature: -20°C~50°C

Product Specifications

- Opening Size: Ø116mm
- Ceiling Thickness: 1mm~50mm
- LED Type: COB
- LED Power: 13W (Max)
- Source Lm: 3000K 1560lm; 4000K 1690lm
- LED Lifetime: >50000h-L70 /B10-Ta25°C(LM-80/TM-21)
- CCT/CRI: 3000K/ 4000K , Ra90
- SDCM: 3 SDCM
- Input: 220V/AC, 50/60Hz
- Dimming: ON-OFF / 0-10V Dimming
- Net Weight: 1.0Kg without packing

Ordering model

Model	Size	Comment	LED Power	Driver	Beam	CCT	Reflector	Finish
AER4	4 4"	A Adjustable	13 13W	EL ON-OFF	1 13°	30 3000K 40 4000K	B Black S Specular	WT White BN Brushed Nickel
				220V AC Power Supply	2 20°			
				DL 0-10V Dimming	3 30°			
				220V AC Power Supply	4 40°			

Example: AER44A-13EL130BWT

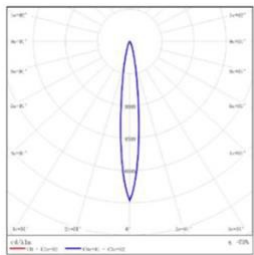
Recessed Ceiling Luminaires

PROJECT:

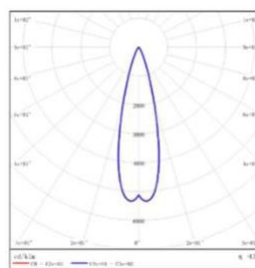
TYPE:

Accessories

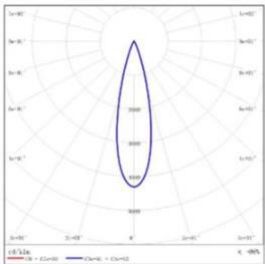
LIGHT DISTRIBUTION@3000K LUMINAIRE DATA



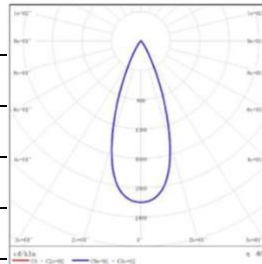
MODEL: AER44A-13DL130SWT
BEAM ANGLE: 13°
POWER: 15.2W
LUMENS: 810.3 lm
CBCP: 6416 cd
EFFICACY: 53.2 lm /W



MODEL: AER44A-13DL230SWT
BEAM ANGLE: 20°
POWER: 15.2W
LUMENS: 913.2 lm
CBCP: 5843 cd
EFFICACY: 60 lm /W



MODEL: AER44A-13DL330SWT
BEAM ANGLE: 30°
POWER: 15.2W
LUMENS: 910.2 lm
CBCP: 2657 cd
EFFICACY: 59.2 lm /W



MODEL: AER44A-13DL430SWT
BEAM ANGLE: 40°
POWER: 15.3W
LUMENS: 874.9 lm
CBCP: 1574 cd
EFFICACY: 57.3 lm /W

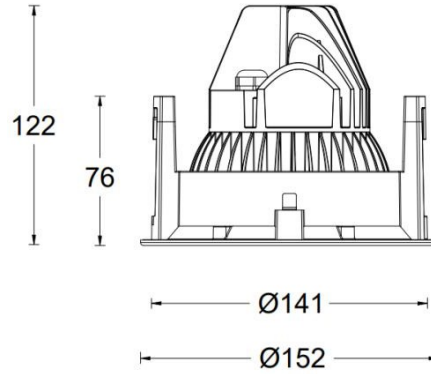
Recessed Ceiling Luminaires

PROJECT:

TYPE:

Product Image

Line Drawing



Product Description

Lanne Pro ADJ embedded tube lamp, with exquisite and concise overall design, exquisite and detailed appearance and structure, installed with screws and sliders. It can adapt to ceilings of different thicknesses and is easy to adjust. Excellent optical performance, with angle adjustment function, the lamp is mainly suitable for functional lighting in public high-altitude areas.

Product Features

- Body Material: Aluminum alloy die-casting lamp body+stainless steel frame
- Optical System: Lens
- Finish: Static electricity powder coating
- Adjustable Angle: Horizontal 355 °, vertical ± 25 °
- Accessories: /
- Certification: CCC
- IP Rating: IP65
- Insulation Level: Class I
- Operating Temperature: -20°C~50°C

Product Specifications

- Opening Size: Ø145mm
- Ceiling Thickness: 1mm~50mm
- LED Type: COB
- LED Power: 18W (Max)
- Source Lm: 3000K 2160lm; 4000K 2340lm
- LED Lifetime: >50000h-L70 /B10-Ta25°C (LM-80/TM-21)
- CCT/CRI: 3000K/ 4000K , Ra90
- SDCM: 3 SDCM
- Input: 220V/AC, 50/60Hz
- Dimming: ON-OFF / 0-10V Dimming
- Net Weight: 1.2Kg without packing

Ordering model

Model	Size	Comment	LED Power	Driver	Beam	CCT	Reflector	Finish
AER4	5 5"	A Adjustable	18 18W	EL ON-OFF	1 19°	30 3000K 40 4000K	B Black S Specular	WT White BN Brushed Nickel
				220V AC Power Supply	2 26°			
				DL 0-10V Dimming	3 38°			
				220V AC Power Supply	5 52°			

Example: AER45A-18EL130BWT

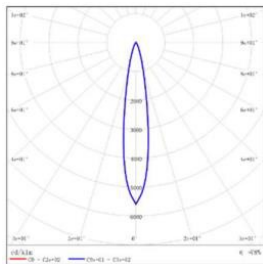
Recessed Ceiling Luminaires

PROJECT:

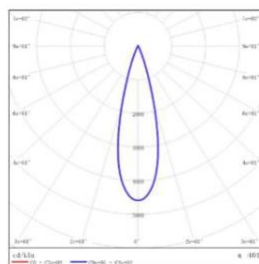
TYPE:

Accessories

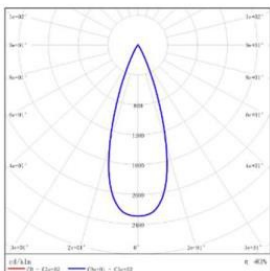
LIGHT DISTRIBUTION@3000K LUMINAIRE DATA



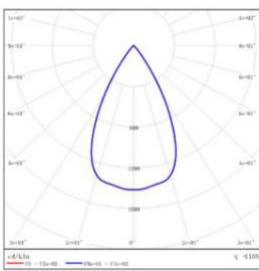
MODEL: AER45A-18DL130SWT
BEAM ANGLE: 19°
POWER: 20.1W
LUMENS: 1642.3 lm
CBCP: 11484 cd
EFFICACY: 81.5 lm /W



MODEL: AER45A-18DL230SWT
BEAM ANGLE: 26°
POWER: 20W
LUMENS: 1776.5 lm
CBCP: 8357 cd
EFFICACY: 88.8 lm /W



MODEL: AER45A-18DL330SWT
BEAM ANGLE: 38°
POWER: 20.2W
LUMENS: 1809.6 lm
CBCP: 4270 cd
EFFICACY: 89.7 lm /W



MODEL: AER45A-18DL530SWT
BEAM ANGLE: 52°
POWER: 20.1W
LUMENS: 1665.1 lm
CBCP: 2442 cd
EFFICACY: 83.1 lm /W

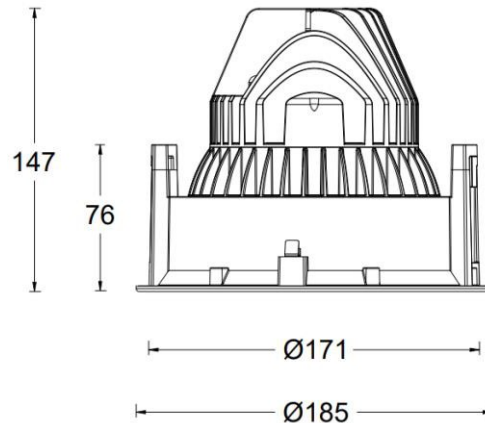
Recessed Ceiling Luminaires

PROJECT:

TYPE:

Product Image

Line Drawing



Product Description

Lanne Pro ADJ embedded tube lamp, with exquisite and concise overall design, exquisite and detailed appearance and structure, installed with screws and sliders. It can adapt to ceilings of different thicknesses and is easy to adjust. Excellent optical performance, with angle adjustment function, the lamp is mainly suitable for functional lighting in public high-altitude areas..

Product Features

- Body Material: Aluminum alloy die-casting lamp body+stainless steel frame
- Optical System: Lens
- Finish: Static electricity powder coating
- Adjustable Angle: Horizontal 355 °, vertical ± 25 °
- Accessories: /
- Certification: CCC
- IP Rating: IP65
- Insulation Level: Class I
- Operating Temperature: -20°C~50°C

Product Specifications

- Opening Size: Ø175mm
- Ceiling Thickness: 1mm~50mm
- LED Type: COB
- LED Power: 33W (Max)
- Source Lm: 3000K 4180lm; 4000K 4318lm
- LED Lifetime: >50000h-L70 /B10-Ta25°C (LM-80/TM-21)
- CCT/CRI: 3000K/ 4000K , Ra90
- SDCM: 3 SDCM
- Input: 220V/AC, 50/60Hz
- Dimming: ON-OFF / 0-10V Dimming
- Net Weight: 1.5Kg without packing

Ordering model

Model	Size	Comment	LED Power	Driver	Beam	CCT	Reflector	Finish
AER4	6 6"	A Adjustable	33 33W	EL ON-OFF	1 19°	30 3000K 40 4000K	B Black S Specular	WT White BN Brushed Nickel
				220V AC Power Supply	2 26°			
				DL 0-10V Dimming	3 38°			
				220V AC Power Supply	5 52°			

Example: AER46A-33EL130BWT

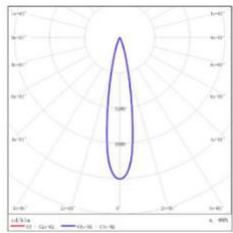
Recessed Ceiling Luminaires

PROJECT:

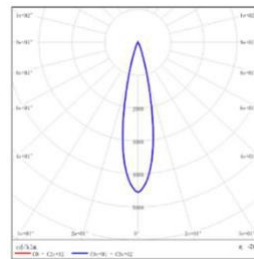
TYPE:

Accessories

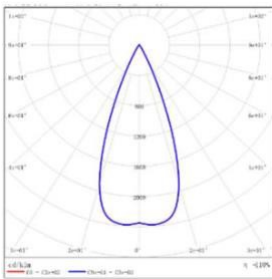
LIGHT DISTRIBUTION@3000K LUMINAIRE DATA



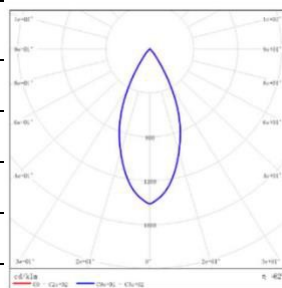
MODEL: AER46A-33DL130SWT
BEAM ANGLE: 19°
POWER: 37.3W
LUMENS: 3548.1 lm
CBCP: 23084 cd
EFFICACY: 95.2lm /W



MODEL: AER46A-33DL230SWT
BEAM ANGLE: 26°
POWER: 37.2W
LUMENS: 3470.9 lm
CBCP: 13515 cd
EFFICACY: 93.3 lm /W



MODEL: AER46A-33DL330SWT
BEAM ANGLE: 38°
POWER: 37.5W
LUMENS: 3686.2 lm
CBCP: 8818 cd
EFFICACY: 98.4 lm /W



MODEL: AER46A-33DL 530SWT
BEAM ANGLE: 52°
POWER: 37.4W
LUMENS: 3525 lm
CBCP: 5185 cd
EFFICACY: 94.2 lm /W