

LEDME - MODEL: AWL210

Step and wall Luminaires

WAC ARCHITECTURAL

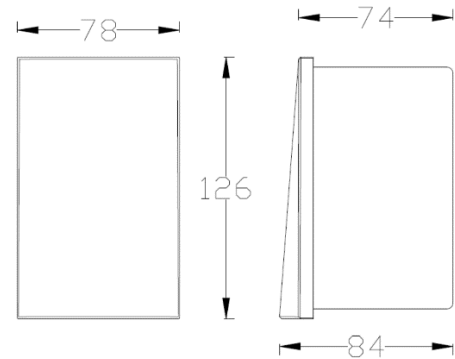
PROJECT:

TYPE:

Product Image



Line Drawing



Product Description

Designed to highlight the beauty of the building, the LEDme® series of lamps is designed to blend seamlessly into the structure of the wall. Efficient energy saving and optimized light output increase the safety and style of the stairs, keeping glare to a minimum on the walls and walkways. IP65 can also be used for indoor and outdoor lighting solutions in wet places. Provides 220V AC direct connection.

Product Features

- Body Material: Aluminum die cast lamp body
- Optical System: Mist glass
- Finish: Static electricity powder coating
- Direction of projection: /
- Accessories/Brackets: /
- Certification: CCC
- IP Rating: IP65
- Insulation Level: Class I
- Operating Temperature: -20°C~50°C

Product Specifications

- Cut-out: 74 x118mm
- LED Type: SMD
- Light power: 3.22W
- Source Lm: 3000K 190lm
- LED Lifetime: >40000h-L70 /B10-Ta25°C(LM-80/TM-21)
- CCT/CRI: 2700K/3000K/4000K, Ra80
- SDCM: 3 SDCM
- Input: 220V AC/50Hz
- Dimming: ON-OFF
- Net Weight: About 0.7Kg/m, without packaging

Order Model

Model	Power (W)	Max Lumens (Lm)	Control Systems	Beam	CCT	Finish
AWL210	LD04	3.2	3	E ON-OFF 220V AC Power Supply	D Directional	27 2700K
						30 3000K
						40 4000K
						WT White
						BK Black
						BZ Bronze
						BN Brushed Nickel

Example: AWL210-LD04ED30WT

LEDME - MODEL: AWL210

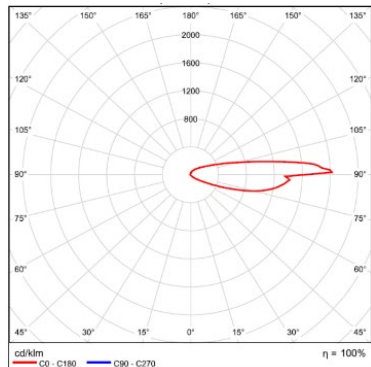
Step and wall Luminaires

WAC ARCHITECTURAL

PROJECT:

TYPE:

LIGHT DISTRIBUTION@3000K LUMINAIRE DATA



MODEL: AWL210-LD04ED30WT

BEAM ANGLE: /

POWER: 4W

LUMENS: 3 lm

CBCP: /

EFFICACY: 0.75 lm / W