

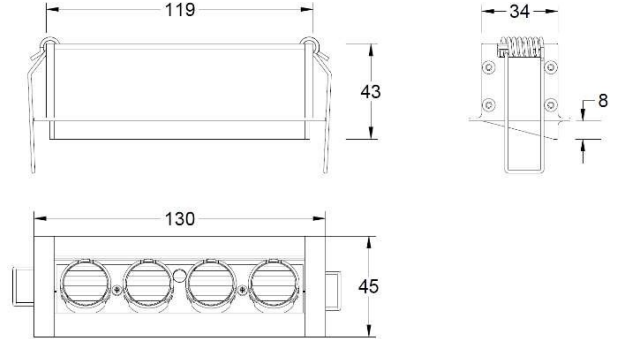
RTQIGEV

VIRG

Product Image



Technical Drawing



Product Description

The ALWAR5 is a linear wallwasher light fixture designed for recessed ceiling installation. It features a slim profile and is available in multiple lengths and finishes. The fixture is designed to provide uniform, low-glare illumination for wall washing applications in commercial and residential settings.

Product Features

- Durable construction
- Quick installation
- High quality
- Recessed mounting
- Energy efficient
- Long life span
- Operating Temperature: -20°C~40°C
- Net Weight: 0.45Kg without packing

Product Specifications

- Opening Size: 124mm*38mm
- Ceiling Thickness: 1-25mm
- Cutoff Angle: 35°
- LED Type: High Power LED
- Source Lm: 2700K 900lm; 3000K 1000lm; 4000K 1100lm
- LED Lifetime: >50000h-L70 /B10-Ta25°C(LM-80/TM-21)
- CCT/CRI: 2700K/3000K/4000K, Ra90
- SDCM: 3 SDCM
- Input: 220V~240V AC / 50Hz
- Dimming: No dimming/0-10V(A match test is required)

Order Model

Model	LED Power	Driver	CCT	Beam	Reflector	Finish
ALWAR5	LD08 8W	E On-Off	27 2700K	W washer	B black	BK Black
Linear Wallwasher		D 0-10V	30 3000K		W white	WT White
A series			40 4000K			
Recessed mounting						

Example: ALWAR5-LD08E27WBBK; ALWAR5-LD08E27WWWT

LIGNE PRO- MODEL: ALWAR5-LD8

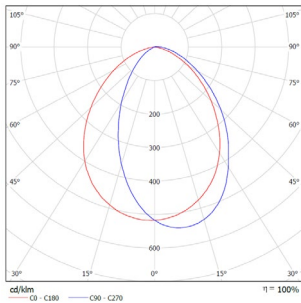
Linear Luminaires

WAC ARCHITECTURAL

PROJECT:

TYPE:

LIGHT DISTRIBUTION@3000K LUMINAIRE DATA



MODEL:	ALWAR5-LD08E30WBBK	ALWAR5-LD08E30WWWK
BEAM ANGLE:	/	/
POWER:	10W	10W
LUMENS:	414 lm	414 lm
CBCP:	/	/
EFFICACY:	40 lm/W	40 lm/W

LIGNE PRO- MODEL: ALWAR5-LD16

Linear Luminaires

WAC ARCHITECTURAL

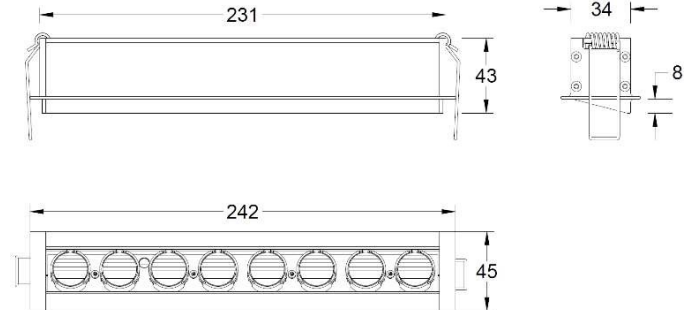
PROJECT:

TYPE:

Product Image



Line Drawing



Product Description

The embedded linear wall washing lamp uses asymmetric light distribution to illuminate the wall evenly. There are 3 lengths and power, black and white color options, suitable for commercial public areas and display environment of the background wall lighting.

Product Features

- Body Material: Aluminum alloy extrusion lamp body
- Optical System: Lens
- Finish: Electrostatic Powder coating
- Projection Direction: /
- Accessories/Brackets: /
- Certification: CCC
- IP Rating: IP20
- Insulation Level: Class II
- Operating Temperature: -20°C~40°C
- Net Weight: 0.6Kg without packing

Product Specifications

- Opening Size: 236mm*38mm
- Ceiling Thickness: 1-25mm
- Cutoff Angle: 35°
- LED Type: High Power LED
- Source Lm: 2700K 1800lm; 3000K 2000lm; 4000K 2200lm
- LED Lifetime: >50000h-L70 /B10-Ta25°C(LM-80/TM-21)
- CCT/CRI: 2700K/3000K/4000K, Ra90
- SDCM: 3 SDCM
- Input: 220V~240V AC / 50Hz
- Dimming: No dimming/0-10V(A match test is required)

Order Model

Model	LED Power	Driver	CCT	Beam	Reflector	Finish
ALWAR5	LD16 16W	E On-Off	27 2700K	W washer	B black	BK Black
Linear Wallwasher		D 0-10V	30 3000K		W white	WT White
A series			40 4000K			
Recessed mounting						

Example: ALWAR5-LD16E27WBBK; ALWAR5-LD16E27WWWT

LIGNE PRO- MODEL: ALWAR5-LD16

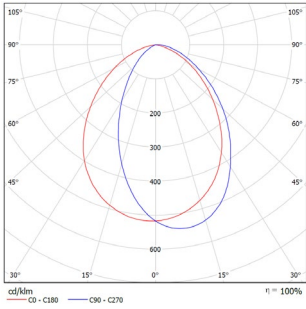
Linear Luminaires

WAC ARCHITECTURAL

PROJECT:

TYPE:

LIGHT DISTRIBUTION@3000K LUMINAIRE DATA



MODEL:	ALWAR5-LD16E30WBBK	ALWAR5-LD16E30WWK
BEAM ANGLE:	/	/
POWER:	18W	18W
LUMENS:	866 lm	866 lm
CBCP:	/	/
EFFICACY:	46 lm/W	46 lm/W

LIGNE PRO- MODEL: ALWAR5-LD32

Linear Luminaires

WAC ARCHITECTURAL

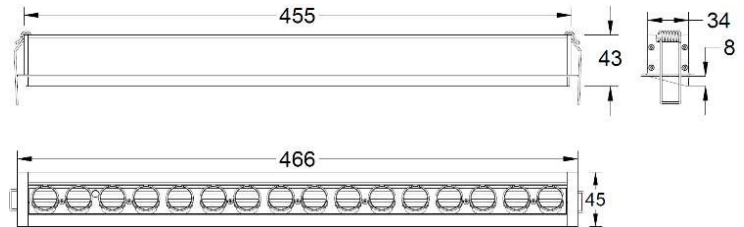
PROJECT:

TYPE:

Product Image



Line Drawing



Product Description

The embedded linear wall washing lamp uses asymmetric light distribution to illuminate the wall evenly. There are 3 lengths and power, black and white color options, suitable for commercial public areas and display environment of the background wall lighting.

Product Features

- Body Material: Aluminum alloy extrusion lamp body
- Optical System: Lens
- Finish: Electrostatic Powder coating
- Projection Direction: /
- Accessories/Brackets: /
- Certification: CCC
- IP Rating: IP20
- Insulation Level: Class II
- Operating Temperature: -20°C~40°C
- Net Weight: 1.1Kg without packing

Product Specifications

- Opening Size: 460mm*38mm
- Ceiling Thickness: 1-25mm
- Cutoff Angle: 35°
- LED Type: High Power LED
- Source Lm: 2700K 350000lm; 3000K 3800lm; 4000K 4000lm
- LED Lifetime: >50000h-L70 /B10-Ta25°C(LM-80/TM-21)
- CCT/CRI: 2700K/3000K/4000K, Ra90
- SDCM: 3 SDCM
- Input: 220V~240V AC / 50Hz
- Dimming: No dimming/0-10V(A match test is required)

Order Model

Model	LED Power	Driver	CCT	Beam	Reflector	Finish
ALWAR5	LD32 32W	E On-Off	27 2700K	W washer	B black	BK Black
Linear Wallwasher		D 0-10V	30 3000K		W white	WT White
A series			40 4000K			
Recessed mounting						

Example: ALWAR5-LD32E27WBBK; ALWAR5-LD32E27WWWT

LIGNE PRO- MODEL: ALWAR5-LD32

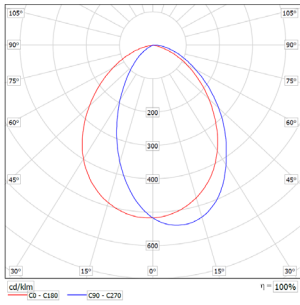
Linear Luminaires

WAC ARCHITECTURAL

PROJECT:

TYPE:

LIGHT DISTRIBUTION@3000K LUMINAIRE DATA



MODEL:	ALWAR5-LD32E30WBBK	ALWAR5-LD32E30WWWK
BEAM ANGLE:	/	/
POWER:	35W	35W
LUMENS:	1975 lm	1975 lm
CBCP:	/	/
EFFICACY:	55 lm/W	55 lm/W