

# FUEGO COMPACT- MODEL: AEIR5N

WAC ARCHITECTURAL

In-ground Luminaires

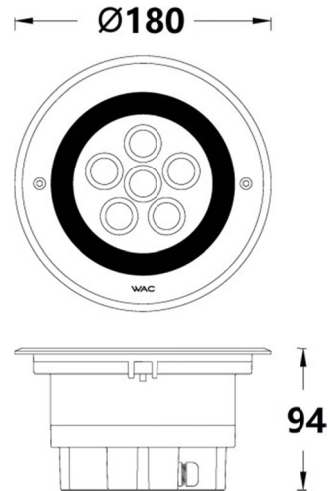
Project Name:

Type:

Product Image



Line Drawing



## Product Description

FUEGO Compact adopts high quality 316 stainless steel for the face frame, aluminum die-casting and high temperature powder coating for the body. Suitable for outdoor environments, IP68 protection, IK08 anti-impact rating, anti-pressure 1500kg, high transmittance lens + patented anti-glare system. With the design of pre-buried cylinder, it is convenient for installation and maintenance. Applied to residential areas, such as parks, plazas, shopping centers as well as applied to facade lighting.

## Product Features

- Body Material: Stainless steel frame+ aluminum die-casting lamp body
- Optical System: Lens +SUBROSA® Hidden light system
- Finish: Electrostatic powder coating
- Adjustable Angle: /
- Accessories: /
- Certification: CCC
- IP Rating: IK08, IP68(Not suitable for permanent under water installation)
- Insulation Level: Class I
- Operating Temperature: -20°C~50°C

## Product Specifications

- LED Type: High Power LED
- LED Power: 13W Max
- Source Lm: 3000K 930lm;
- LED Lifetime: >50000h-L70 /B10-Ta25°C(LM-80/TM-21)
- CCT/CRI: 2700K/ 3000K/4000K, Ra80
- SDCM: 3 SDCM
- Input: 220V AC / 50Hz
- Dimming: On-off
- Net Weight: 1.7Kg without packing

## Order Model

Model	Comment	Power (W)	LEDs (quantity)	Max Lumens (lm)	Control Systems	Beam	CCT	Finish
AEIR5N		13	6	877	EL ON-OFF	S 7°	27 2700K	SS
High Lumens	F Frame	13(Max)			220V AC Power Supply	1 14°	30 3000K	Stainless
						2 20°	40 4000K	Steel
						3 30°		

Example: AEIR5NF-13ELS27SS

# FUEGO COMPACT- MODEL: AEIR5N

WAC ARCHITECTURAL

## In-ground Luminaires

Project Name:

Type:

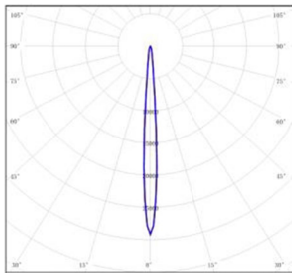
Model	Comment	Power (W)	LEDs (quantity)	Max Lumens (lm)	Control Systems	Beam	CCT	Finish
AEIR5N High Lumens	F Frame	09 9(Max)	6	607	ML DMX 512 Dimming 220V AC Power Supply	S 7° 1 14° 2 20° 3 30°	27 2700K 30 3000K 40 4000K	SS Stainless Steel

Example: AEIR5NF-09MLS27SS

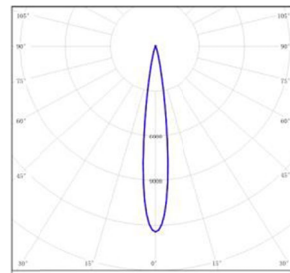
### Accessories

Item	Description	Pic	Description Dimensions
AEIR5NF-RC001	Recessed Casing		

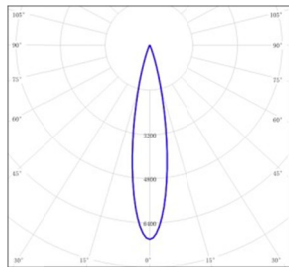
### LIGHT DISTRIBUTION@3000K LUMINAIRE DATA



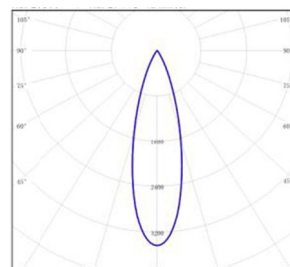
MODEL:	AEIR5NF-13ELS30SS
BEAM ANGLE:	7.5°
POWER:	15.3W
LUMENS:	865 lm
CBCP:	/
EFFICACY:	56.5 lm /W



MODEL:	AEIR5NF-13EL130SS
BEAM ANGLE:	14.3°
POWER:	15.32W
LUMENS:	875.6 lm
CBCP:	/
EFFICACY:	57.13 lm /W



MODEL:	AEIR5NF-13EL230SS
BEAM ANGLE:	20°
POWER:	15.34W
LUMENS:	877.4 lm
CBCP:	/
EFFICACY:	57.19 lm /W



MODEL:	AEIR5NF-13EL330SS
BEAM ANGLE:	30°
POWER:	15.3 W
LUMENS:	842 lm
CBCP:	/
EFFICACY:	55 lm /W

# FUEGO COMPACT- MODEL: AEIR6N

WAC ARCHITECTURAL

In-ground Luminaires

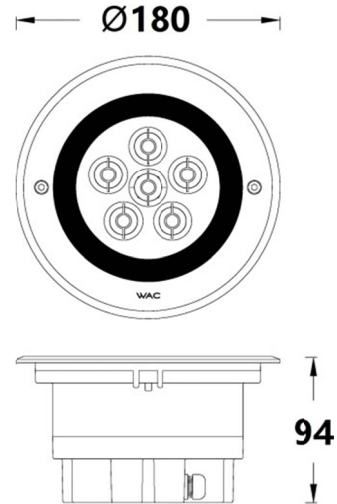
Project Name:

Type:

Product Image



Line Drawing



## Product Description

FUEGO Compact adopts high quality 316 stainless steel for the face frame, aluminum die-casting and high temperature powder coating for the body. Suitable for outdoor environments, IP68 protection, IK08 anti-impact rating, anti-pressure 1500kg, high transmittance lens + patented anti-glare system. With the design of pre-buried cylinder, it is convenient for installation and maintenance. Applied to residential areas, such as parks, plazas, shopping centers as well as applied to facade lighting.

## Product Features

- Body Material: Stainless steel frame+ aluminum die-casting lamp body
- Optical System: Lens +SUBROSA® Hidden light system
- Finish: Electrostatic powder coating
- Adjustable Angle: /
- Accessories: /
- Certification: CCC
- IP Rating: IK08, IP68(Not suitable for permanent under water installation)
- Insulation Level: Class I
- Operating Temperature: -20°C~50°C

## Product Specifications

- LED Type: High Power LED
- LED Power: 13W Max
- Source Lm: 3000K 930lm;
- LED Lifetime: >50000h-L70 /B10-Ta25°C(LM-80/TM-21)
- CCT/CRI: 2700K/ 3000K/4000K, Ra80
- SDCM: 3 SDCM
- Input: 220V AC / 50Hz
- Dimming: On-off
- Net Weight: 1.7Kg without packing

## Order Model

Model	Comment	Power (W)	LEDs (quantity)	Max Lumens (lm)	Control Systems	Beam	CCT	Finish
AEIR6N	F Frame	13 13(Max)	6	663	EL ON-OFF 220V AC Power Supply	S 7° 1 13° 2 20° 3 30°	27 2700K 30 3000K 40 4000K	SS Stainless Steel

Example: AEIR6NF-13ELS27SS

# FUEGO COMPACT- MODEL: AEIR6N

## In-ground Luminaires

WAC ARCHITECTURAL



Project Name:

Type:

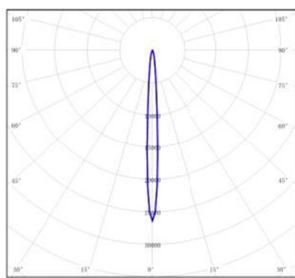
Model	Comment	Power (W)	LEDs (quantity)	Max Lumens (lm)	Control Systems	Beam	CCT	Finish
<b>AEIR6N</b> Super Comfort	<b>F</b> Frame	<b>09</b> 9(Max)	6	459	<b>ML</b> DMX512 Dimming 220V AC Power Supply	<b>S</b> 7° <b>1</b> 13° <b>2</b> 20° <b>3</b> 30°	<b>27</b> 2700K <b>30</b> 3000K <b>40</b> 4000K	<b>SS</b> Stainless Steel

Example: AEIR6NF-09MLS27SS

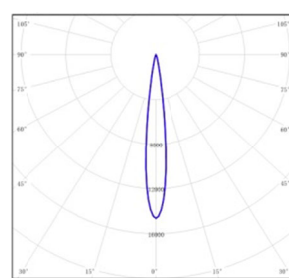
### Accessories

Item	Description	Pic	Description Dimensions
AEIR5NF-RC001	Recessed Casing		

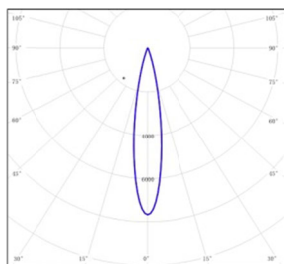
### LIGHT DISTRIBUTION@3000K LUMINAIRE DATA



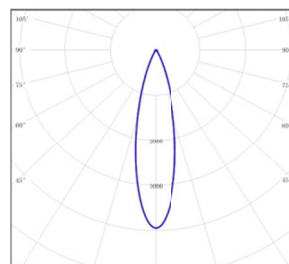
<b>MODEL:</b>	AEIR6NF-13ELS30SS
<b>BEAM ANGLE:</b>	7°
<b>POWER:</b>	15.36W
<b>LUMENS:</b>	663 lm
<b>CBCP:</b>	/
<b>EFFICACY:</b>	43.2 lm /W



<b>MODEL:</b>	AEIR6NF-13EL130SS
<b>BEAM ANGLE:</b>	13.3°
<b>POWER:</b>	15.31W
<b>LUMENS:</b>	520 lm
<b>CBCP:</b>	/
<b>EFFICACY:</b>	34 lm /W



<b>MODEL:</b>	AEIR6NF-13EL230SS
<b>BEAM ANGLE:</b>	19.7°
<b>POWER:</b>	15.39W
<b>LUMENS:</b>	520 lm
<b>CBCP:</b>	/
<b>EFFICACY:</b>	33.8 lm /W



<b>MODEL:</b>	AEIR6NF-13EL330SS
<b>BEAM ANGLE:</b>	29.8°
<b>POWER:</b>	15.32 W
<b>LUMENS:</b>	497 lm
<b>CBCP:</b>	/
<b>EFFICACY:</b>	32.5 lm /W