

FUEGO COMPACT- MODEL: AEIR5S

WAC ARCHITECTURAL

In-ground Luminaires

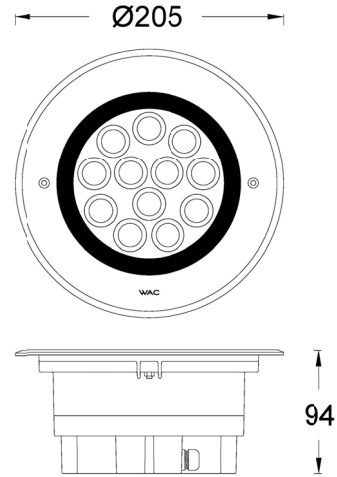
Project Name:

Type:

Product Image



Line Drawing



Product Description

FUEGO Compact adopts high quality 316 stainless steel for the face frame, aluminum die-casting and high temperature powder coating for the body. Suitable for outdoor environments, IP68 protection, IK08 anti-impact rating, anti-pressure 1500kg, high transmittance lens + patented anti-glare system. With the design of pre-buried cylinder, it is convenient for installation and maintenance. Applied to residential areas, such as parks, plazas, shopping centers as well as applied to facade lighting.

Product Features

- Body Material: Stainless steel frame+ aluminum die-casting lamp body
- Optical System: Lens+SUBROSA® Hidden light system
- Finish: Electrostatic powder coating
- Adjustable Angle: /
- Accessories: /
- Certification: CCC
- IP Rating: IK08, IP68(Not suitable for permanent under water installation)
- Insulation Level: Class I
- Operating Temperature: -20°C~50°C

Product Specifications

- LED Type: High Power LED
- LED Power: 21W Max
- Source Lm: 3000K 1800lm;
- LED Lifetime: >50000h-L70 /B10-Ta25°C(LM-80/TM-21)
- CCT/CRI: 2700K/ 3000K/4000K, Ra80
- SDCM: 3 SDCM
- Input: 220V AC / 50Hz
- Dimming: On-off
- Net Weight: 2.45Kg without packing

Other Model

Model	Comment	Power (W)	LEDs (quantity)	Max Lumens (lm)	Control Systems	Beam	CCT	Finish
AEIR5S High Lumens	F Frame	21 21(Max)	12	1503	EL ON-OFF 220V AC Power Supply	S 7° 1 14°	27 2700K 30 3000K	SS Stainless Steel
		19 19(Max)	12	1360	ML DMX512 Dimming 220V AC Power Supply	2 20° 3 30°	40 4000K	

Example: AEIR5SF-21ELS27S

FUEGO COMPACT- MODEL: AEIR5S

WAC ARCHITECTURAL

In-ground Luminaires

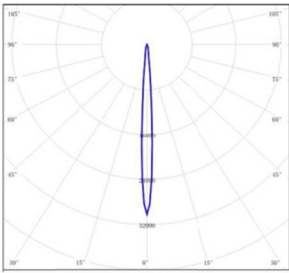
Project Name:

Type:

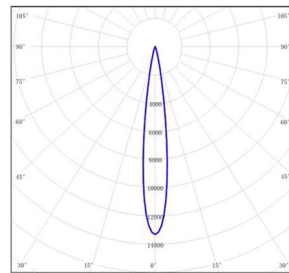
Accessories

Item	Description	Pic	Description Dimensions
AEIR5SF-RC001	Recessed Casing		 <p>Ø183 106</p>

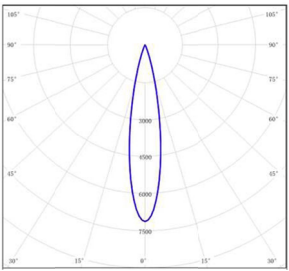
LIGHT DISTRIBUTION@3000K LUMINAIRE DATA



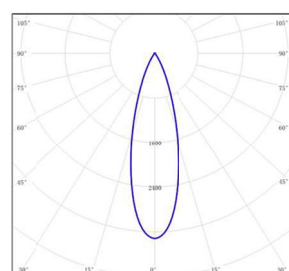
MODEL:	AEIR5SF-21ELS30SS
BEAM ANGLE:	7°
POWER:	26.4W
LUMENS:	1343 lm
CBCP:	/
EFFICACY:	50.6 lm /W



MODEL:	AEIR5SF-21EL130SS
BEAM ANGLE:	14°
POWER:	26.5W
LUMENS:	1503 lm
CBCP:	/
EFFICACY:	56.7 lm /W



MODEL:	AEIR5SF-21EL230SS
BEAM ANGLE:	20°
POWER:	26.4W
LUMENS:	1486 lm
CBCP:	/
EFFICACY:	56 lm /W



MODEL:	AEIR5SF-21EL330SS
BEAM ANGLE:	30°
POWER:	26.4 W
LUMENS:	1402 lm
CBCP:	/
EFFICACY:	52.9 lm /W

FUEGO COMPACT- MODEL: AEIR6S

WAC ARCHITECTURAL

In-ground Luminaires

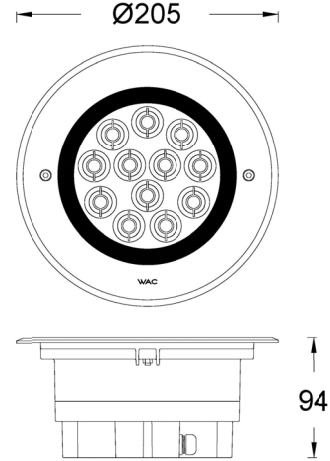
Project Name:

Type:

Product Image



Line Drawing



Product Description

FUEGO Compact adopts high quality 316 stainless steel for the face frame, aluminum die-casting and high temperature powder coating for the body. Suitable for outdoor environments, IP68 protection, IK08 anti-impact rating, anti-pressure 1500kg, high transmittance lens + patented anti-glare system. With the design of pre-buried cylinder, it is convenient for installation and maintenance. Applied to residential areas, such as parks, plazas, shopping centers as well as applied to facade lighting.

Product Features

- Body Material: Stainless steel frame+ aluminum die-casting lamp body
- Optical System: Lens+SUBROSA ® Hidden light system
- Finish: Electrostatic powder coating
- Adjustable Angle: /
- Accessories: /
- Certification: CCC
- IP Rating: IK08, IP68(Not suitable for permanent under water installation)
- Insulation Level: Class I
- Operating Temperature: -20°C~50°C

Product Specifications

- LED Type: High Power LED
- LED Power: 21W Max
- Source Lm: 3000K 1800lm;
- LED Lifetime: >50000h-L70 /B10-Ta25°C(LM-80/TM-21)
- CCT/CRI: 2700K/ 3000K/4000K, Ra80
- SDCM: 3 SDCM
- Input: 220V AC / 50Hz
- Dimming: On-off
- Net Weight: 2.45Kg without packing

Order Model

Model	Comment	Power (W)	LEDs (quantity)	Max Lumens (lm)	Control Systems	Beam	CCT	Finish
AEIR6S Super Comfort	F Frame	21 21(Max)	12	1044	EL ON-OFF 220V AC Power Supply	S 7° 1 13°	27 2700K 30 3000K	SS Stainless Steel
		19 19(Max)	12	945	ML DMX512 Dimming 220V AC Power Supply	2 20° 3 30°	40 4000K	

Example: AEIR6SF-21ELS27SS

FUEGO COMPACT- MODEL: AEIR6S

WAC ARCHITECTURAL

In-ground Luminaires

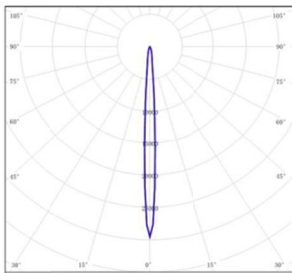
Project Name:

Type:

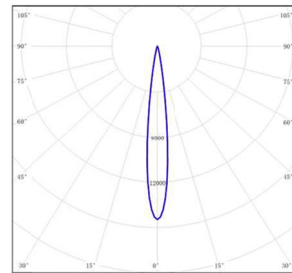
Accessories

Item	Description	Pic	Description Dimensions
AEIR5SF-RC001	Recessed Casing		

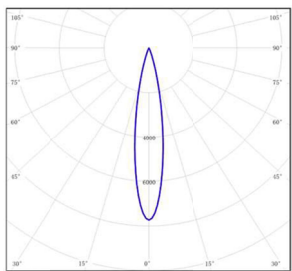
LIGHT DISTRIBUTION@3000K LUMINAIRE DATA



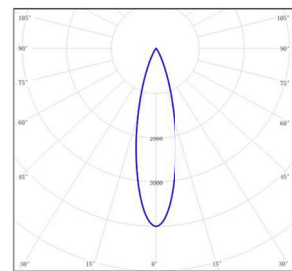
MODEL:	AEIR6SF-21ELS30SS
BEAM ANGLE:	7°
POWER:	26.4W
LUMENS:	1044 lm
CBCP:	/
EFFICACY:	39.5 lm /W



MODEL:	AEIR6SF-21EL130SS
BEAM ANGLE:	13°
POWER:	26.5W
LUMENS:	803 lm
CBCP:	/
EFFICACY:	30.4 lm /W



MODEL:	AEIR6SF-21EL230SS
BEAM ANGLE:	20°
POWER:	26.4W
LUMENS:	844 lm
CBCP:	/
EFFICACY:	32 lm /W



MODEL:	AEIR6SF-21EL330SS
BEAM ANGLE:	30°
POWER:	26.4 W
LUMENS:	847 lm
CBCP:	/
EFFICACY:	32 lm /W