

FUEGO COMPACT- MODEL: AEIR7S

WAC ARCHITECTURAL

In-ground Luminaires

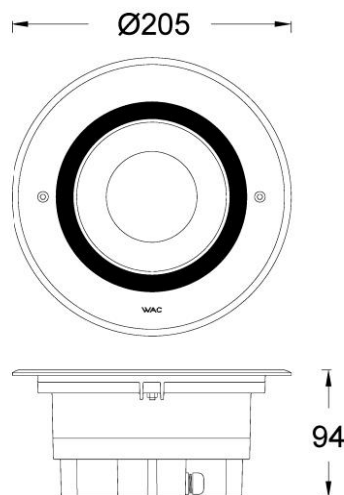
Project Name:

Type:

Product Image



Line Drawing



Product Description

FUEGO Compact adopts high quality 316 stainless steel for the face frame, aluminum die-casting and high temperature powder coating for the body. Suitable for outdoor environments, IP68 protection, IK10 anti-impact rating, anti-pressure 2000kg, high transmittance lens + patented anti-glare system. With the design of pre-buried cylinder, it is convenient for installation and maintenance. Applied to residential areas, such as parks, plazas, shopping centers as well as applied to facade lighting.

Product Features

- **Body Material :** Aluminum alloy die-casting + Stainless steel frame
- **Optical System :** Lens
- **Finish :** Static electricity powder coating
- **Adjustable Angle :** /
- **Accessories :** Embedded cylinder
- **Certification :** CCC
- **IP Rating:** IK10, IP68 (Not suitable for permanent under water installation)
- **Insulation Level :** Class I
- **Operating Temperature :** -20°C~50°C

Product Specifications

- **LED Typ :** COB
- **LED Power :** 21W Max
- **Source Lm :** 3000K 3010lm
- **LED Lifetime :** >50000h-L70 /B10-Ta25°C(LM-80/TM-21)
- **CCT/CRI :** 2700K , 3000K , 4000K , Ra90
- **SDCM :** 3 SDCM
- **Input :** 220V AC/50Hz
- **Dimming :** ON-OFF
- **Net Weight :** 2.4Kg , without packing

Order Model

Model	Comment	Power (W)	LEDs (quantity)	Max Lumens (lm)	Control Systems	Beam	CCT	Finish
AEIR7S High Lumens	F Frame	21 21(Max)	COB	2030	EL ON-OFF 220V AC Power Supply	2 22°	27 2700K	SS Stainless Steel
						4 45°	30 3000K	
						5 53°	40 4000K	
						6 63°		

Example: AEIR7SF-21EL227SS

WAC Lighting
www.waclighting.com (US)
www.waclighting.net (International)

Headquarters
44 Harbor Park Drive • Port Washington, NY
Phone (516) 515.5000 • Fax (516) 515.5050

WAC GROUP
TECHNOLOGY ILLUMINATED

In-ground Luminaires

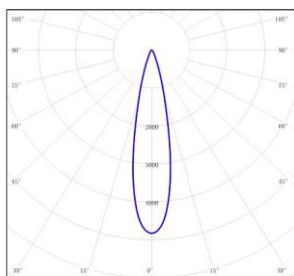
Project Name:

Type:

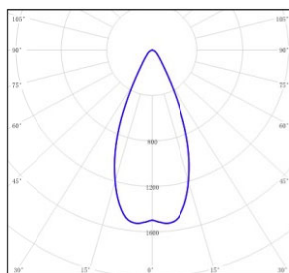
Accessory

Item	Description	Pic	Description Dimensions
AEIR5SF-RC001	Recessed Casing		

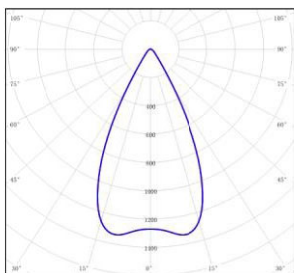
LIGHT DISTRIBUTION@3000K LUMINAIRE DATA



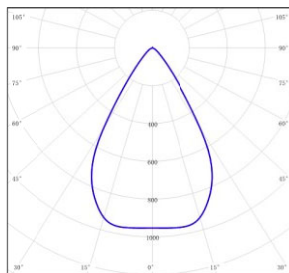
MODEL : AEIR7SF-21EL230SS
BEAM ANGLE : 22°
POWER : 24.8W
LUMENS: 1974 lm
CBCP : /
EFFICACY : 79.6 lm /W



MODEL : AEIR7SF-21EL430SS
BEAM ANGLE : 45°
POWER : 24.8W
LUMENS: 1900 lm
CBCP : /
EFFICACY : 76.6 lm /W



MODEL : AEIR7SF-21EL530SS
BEAM ANGLE : 53°
POWER : 24.8W
LUMENS: 2030 lm
CBCP : /
EFFICACY : 81.9 lm /W



MODEL : AEIR7SF-21EL630SS
BEAM ANGLE : 63°
POWER : 24.8W
LUMENS: 1979 lm
CBCP : /
EFFICACY : 79.9 lm /W

FUEGO COMPACT- MODEL: AEIR8S

WAC ARCHITECTURAL

In-ground Luminaires

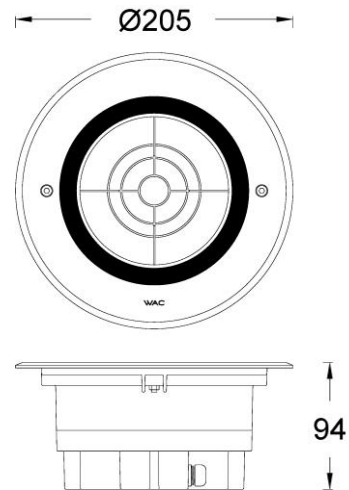
Project Name:

Type:

Product Image



Line Drawing



Product Description

FUEGO Compact adopts high quality 316 stainless steel for the face frame, aluminum die-casting and high temperature powder coating for the body. Suitable for outdoor environments, IP68 protection, IK10 anti-impact rating, anti-pressure 2000kg, high transmittance lens + patented anti-glare system. With the design of pre-buried cylinder, it is convenient for installation and maintenance. Applied to residential areas, such as parks, plazas, shopping centers as well as applied to facade lighting.

Product Features

- **Body Material** : Aluminum alloy die-casting + Stainless steel frame
- **Optical System** : Lens
- **Finish** : Static electricity powder coating
- **Adjustable Angle**: /
- **Accessories** : Embedded cylinder
- **Certification** : CCC
- **IP Rating**: IK10, IP68 (Not suitable for permanent under water installation)
- **Insulation Level** : Class I
- **Operating Temperature** : -20°C~50°C

Product Specifications

- **LED Typ** : COB
- **LED Power** : 21W Max
- **Source Lm** : 3000K 3010lm
- **LED Lifetime** : >50000h-L70 /B10-Ta25°C(LM-80/TM-21)
- **CCT/CRI** : 2700K , 3000K , 4000K , Ra90
- **SDCM** : 3 SDCM
- **Input** : 220V AC/50Hz
- **Dimming** : ON-OFF
- **Net Weight** : 2.4Kg , without packing

Order Model

Model	Comment	Power (W)	LEDs (quantity)	Max Lumens (lm)	Control Systems	Beam	CCT	Finish
AEIR8S	F Frame	21 21(Max)	COB	1192	EL ON-OFF 220V AC Power Supply	2 21°	27 2700K 30 3000K 40 4000K	SS Stainless Steel
Super						4 40°		
Comfort						5 50°		
						6 60°		

Example: AEIR8SF-21EL227SS

WAC Lighting
www.waclighting.com (US)
www.waclighting.net (International)

Headquarters
44 Harbor Park Drive • Port Washington, NY
Phone (516) 515.5000 • Fax (516) 515.5050

WAC GROUP
TECHNOLOGY ILLUMINATED

FUEGO COMPACT- MODEL: AEIR8S

WAC ARCHITECTURAL

In-ground Luminaires

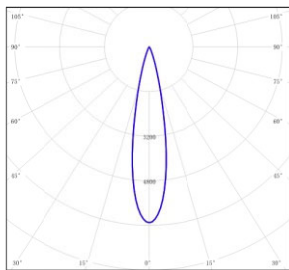
Project Name:

Type:

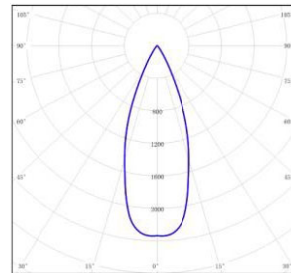
Accessory

Item	Description	Pic	Description Dimensions
AEIR5SF-RC001	Recessed Casing		 <p>Ø183 106</p>

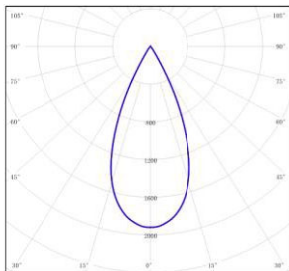
LIGHT DISTRIBUTION@3000K LUMINAIRE DATA



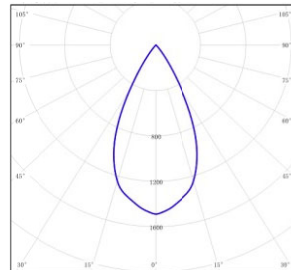
MODEL : AEIR8SF-21EL230SS
BEAM ANGLE : 21°
POWER : 25.2W
LUMENS: 1192 lm
CBCP : /
EFFICACY : 48 lm /W



MODEL : AEIR8SF-21EL430SS
BEAM ANGLE : 40°
POWER : 24.8W
LUMENS 1027 lm
CBCP : /
EFFICACY : 41.3 lm /W



MODEL : AEIR8SF-21EL530SS
BEAM ANGLE : 50°
POWER : 24.8W
LUMENS: 1190 lm
CBCP : /
EFFICACY : 47.9 lm /W



MODEL : AEIR8SF-21EL630SS
BEAM ANGLE : 60°
POWER : 24.8W
LUMENS: 1048 lm
CBCP : /
EFFICACY : 42.2 lm /W