

AQUASTAR - MODEL: AEU1S

Underwater Luminaires

WAC ARCHITECTURAL

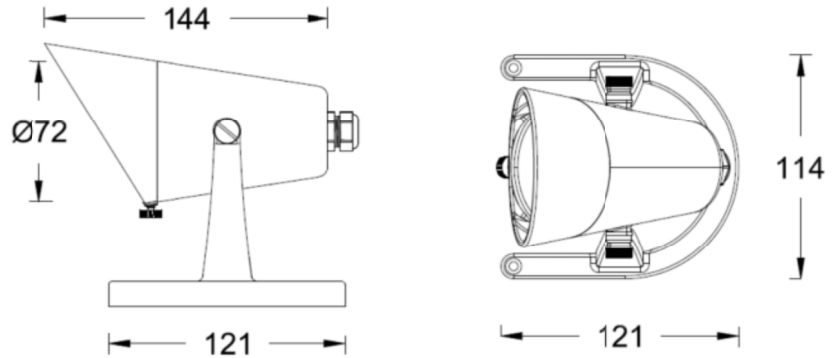
PROJECT:

TYPE:

Product Image



Line Drawing



Product Description

Aquastar series underwater floodlights, Fully cast copper lamp body, Faster and more stable heat dissipation, Durable and sturdy material. Install in a horseshoe shape, Exquisite and meticulous appearance and structural design, Excellent optical performance, Suitable for fountain, swimming pool, and seaside functional lighting.

Product Features

- Body Material: Copper lamp body
- Optical System: Lens
- Finish: /
- Adjustable Angle: -30~+90°
- Accessories: /
- Certification: /
- IP Rating: IP68
- Insulation Level: Class III
- Operating Temperature: -20°C~50°C

Product Specifications

- LED Type: High Power LED
- Light Power: 6.6W (Max)
- Source Lm: 3000K 560lm
- LED Lifetime: >50000h-L70 /B10-Ta25°C(LM-80/TM-21)
- CCT/CRI: 3000K,4000K,6000K ,Ra80;RGB,Blue
- SDCM: 3 SDCM
- Input: 12V DC
- Dimming: ON-OFF /DMX512
- Net Weight: 2.7Kg without packing

Order Model

Model	Power (W)	LED (quantity)	Max Lumens	Control Systems	Beam	CCT	Finish
AEU1S-07	7(Max)	3	517	ET ON-OFF	S 8°	30 3000K	NB Natural Brass
				12V DC Power Supply	1 15°	40 4000K	
				MT DMX512 Dimming	2 20°	60 6000K	
				12V DC Power Supply	4 40°	FC RGB	
						B Blue	

Example: AEU1S-07ET-S30NB

AQUASTAR - MODEL: AEU1S

Underwater Luminaires

WAC ARCHITECTURAL

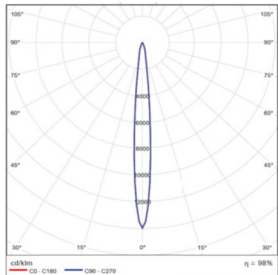
PROJECT:

TYPE:

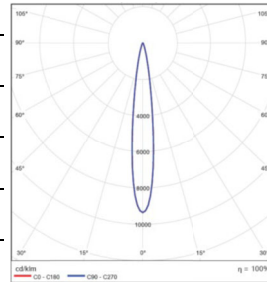
Model	Power (W)	LED (quantity)	Max Lumens	Control Systems	Beam	CCT	Finish
AEU1S-07	7(Max)	1	160	MT DMX512 Dimming 12V DC Power Supply	1 15° 2 25° 4 35°	F40 RGBW(4000K) F60 RGBW(6000K)	NB Natural Brass

Example: AEU1S-07MT1F40NB

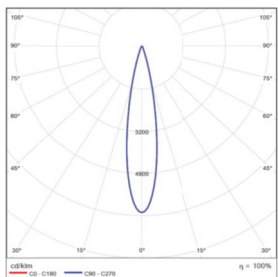
LIGHT DISTRIBUTION@3000K LUMINAIRE DATA



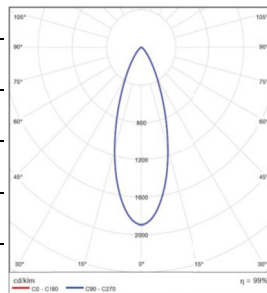
MODEL: AEU1S-07ETS30NB
BEAM ANGLE: 9.5°
POWER: 7.9W
LUMENS: 480.9lm
CBCP: /
EFFICACY: 61.1lm/W



MODEL: AEU1S-07ET130NB
BEAM ANGLE: 14.3°
POWER: 7.9W
LUMENS: 516.9lm
CBCP: /
EFFICACY: 65.4lm/W



MODEL: AEU1S-07ET230NB
BEAM ANGLE: 19.8°
POWER: 7.9W
LUMENS: 512.3lm
CBCP: /
EFFICACY: 64.8lm/W



MODEL: AEU1S-07ET430NB
BEAM ANGLE: 36.9°
POWER: 7.9W
LUMENS: 472lm
CBCP: /
EFFICACY: 59.8lm/W