

VOLTA- MODEL: ADLT51

5" Round Narrow Recessed Downlight

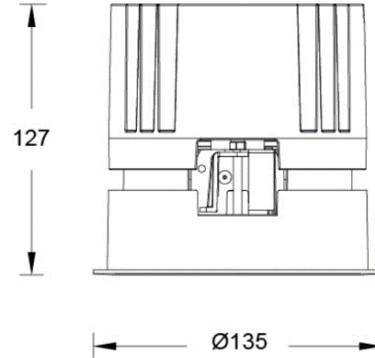
Project Name:

Type:

Product Image



Line Drawing



Product Description

VOLTA II series LED round narrow recessed downlight, streamlined appearance, with precise lens and black mirror reflector design. It guarantees light output while still achieving the ultimate anti-glare effect, and the light source cavity is sealed to minimize the impact of humid environment on its performance. Free to remove and replace the reflector or optical accessories, greatly improving the convenience of the site. Mainly suitable for hotel and commercial indoor places.

Product Features

- **Body Material:** Aluminum die-casting lamp body
- **Optical System:** Lens+Reflector
- **Finish:** Electrostatic powder coating
- **Objection Angle:** /
- **Accessory / Bracket:** See attachment
- **Certification:** CCC
- **IP Rating:** IP20
- **Insulation Class:** Class II
- **Operating Temperature:** -20°C~40°C

Product Specifications

- **Cutoff:** Ø125mm
- **Ceiling Thickness:** 1mm~25mm
- **Shading Angle:** 30°
- **LED Type:** COB
- **Source Lm:** 2700K:18W 2735lm; 25W 3565lm; 32W 4560lm
3000K: 18W 2880lm; 25W 3750lm; 32W 4800lm
3500K: 18W 2965lm; 25W 3865lm; 32W 4945lm
4000K: 18W 3080lm; 25W 4015lm; 32W 5135lm
5000K: 18W 3170lm; 25W 4125lm; 32W 5280lm
- **LED Lifetime:** >50000h-L70 /B10-Ta25°C(LM-80/TM-21)
- **CCT/CRI:** 2700K/3000K/3500K/4000K/5000K, CRI≥90
- **Input:** 220V AC / 50Hz
- **Dimming:** Non-dimming / 0-10V/DALI (must be done in advance with the project site system to match the test)
- **Net Weight:** Approx. 1.0Kg, without packaging

Order Model

Model	Size	Trim	LED	Driver	Beam	CCT	Reflector	Finish
ADLT Downlight T series	5 5"	1 Round Trim	LM18 COB 18W	E On-Off D 0-10V Dimming	1 15° 2 24° 3 36° 5 55°	27 2700K	B Black S Specular	WT White
			LM25 COB 25W			30 3000K		BK Black
			LM32 COB 32W	35 3500K				
			LM32 COB 32W	40 4000K				
				N No Driver A DALI		50 5000K		

Example: ADLT51-LM18E230SWT

VOLTA- MODEL: ADLT51

5" Round Narrow Recessed Downlight

Project Name:

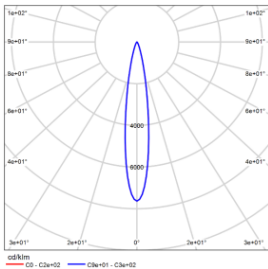
Type:

Accessory

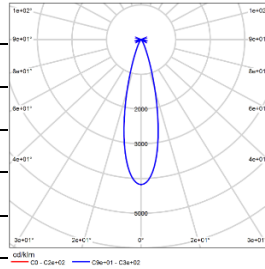
ALENS-DLT51-BEL Striped Glass Lens		ALENS-DLT51-HCL Rimless Honeycomb Grid	
--	---	--	---

Note: Up to one additional optical accessory can be installed, the factory does not come with accessories, need to be ordered separately.

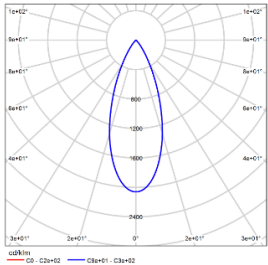
Light Distribution@3000K Data



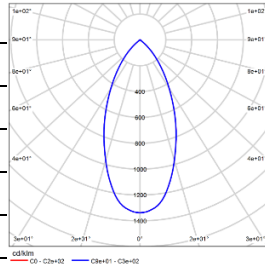
MODEL: ADLT51-LM25E130SWT
BEAM ANGLE: 5°
POWER: 25W
LUMENS: 2939lm
CBCP: 33037cd
EFFICACY: 118lm/W



MODEL: ADLT51-LM25E230SWT
BEAM ANGLE: 24°
POWER: 25W
LUMENS: 3274lm
CBCP: 13975cd
EFFICACY: 131lm/W



MODEL: ADLT51-LM25E330SWT
BEAM ANGLE: 6°
POWER: 25W
LUMENS: 3171lm
CBCP: 8424cd
EFFICACY: 127lm/W



MODEL: ADLT51-LM25E530SWT
BEAM ANGLE: 55°
POWER: 25W
LUMENS: 2972lm
CBCP: 3896cd
EFFICACY: 119lm/W

VOLTA- MODEL: ADLT61

6" Round Narrow Recessed Downlight

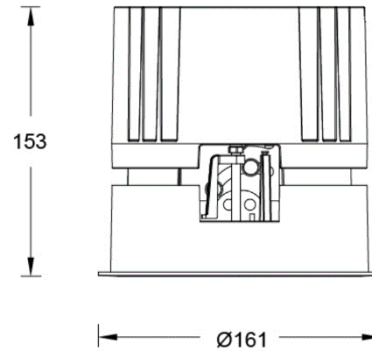
Project Name:

Type:

Product Image



Line Drawing



Product Description

VOLTA II series LED round narrow recessed downlight, streamlined appearance, with precise lens and black mirror reflector design. It guarantees light output while still achieving the ultimate anti-glare effect, and the light source cavity is sealed to minimize the impact of humid environment on its performance. Free to remove and replace the reflector or optical accessories, greatly improving the convenience of the site. Mainly suitable for hotel and commercial indoor places.

Product Features

- **Body Material:** Aluminum die-casting lamp body
- **Optical System:** Lens+Reflector
- **Finish:** Electrostatic powder coating
- **Objection Angle:** /
- **Accessory / Bracket:** See attachment
- **Certification:** CCC
- **IP Rating:** IP20
- **Insulation Class:** Class II
- **Operating Temperature:** -20°C~40°C

Product Specifications

- **Cutoff:** Ø150mm
- **Ceiling Thickness** 1mm~30mm
- **Shading Angle:** 30°
- **LED Type:** COB
- **Source Lm:** 2700K: 32W 4560lm; 43W 6125lm
3000K: 32W 4800lm; 43W 6450lm
3500K: 32W 4945lm; 43W 6640lm
4000K: 32W 5135lm; 43W 6900lm
5000K: 32W 5280lm; 43W 7095lm
- **LED Lifetime:** >50000h-L70 /B10-Ta25°C(LM-80/TM-21)
- **CCT/CRI:** 2700K/3000K/3500K/4000K/5000K, CRI≥90
- **Input:** 220V AC / 50Hz
- **Dimming:** No dimming / 0-10V/DALI (must do match test with project site system in advance) .
- **Net Weight:** Approx. 1.7Kg, without packaging

Order Model

Model	Size	Trim	LED	Driver	Beam	CCT	Reflector	Finish
ADLT Downlight T series	6 6"	1 Round Trim	LM32 COB 32W	E On-Off	1 15° 2 24° 3 36° 5 50°	27 2700K	B Black S Specular	WT White
			LM43 COB 43W	D 0-10V Dimming		30 3000K		BK Black
						35 3500K		
						40 4000K		
			LM43 COB 43W	N No Driver A DALI		50 5000K		

Example: ADLT61-LM25E230SWT

6" Round Narrow Recessed Downlight

Project Name:

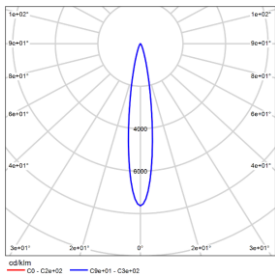
Type:

Accessory

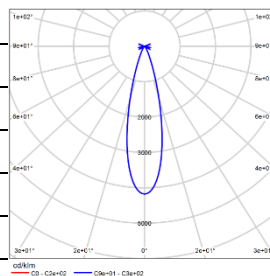
ALENS-DDT61-BEL Striped Glass Lens		ALENS-DDT61-HCL Rimless Honeycomb Grid	
--	---	--	---

Note: Up to one additional optical accessory can be installed, the factory does not come with accessories, need to be ordered separately.

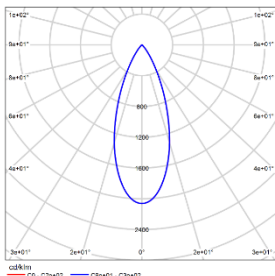
Light Distribution@3000K Data



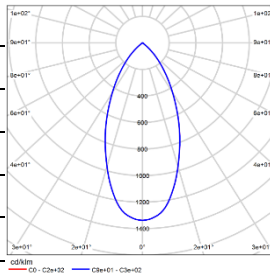
MODEL: ADLT61-LM32E130SWT
BEAM ANGLE: 15°
POWER: 32W
LUMENS: 4134lm
CBCP: 31745cd
EFFICACY: 129lm/W



MODEL: ADLT61-LM32E230SWT
BEAM ANGLE: 24°
POWER: 32W
LUMENS: 4285lm
CBCP: 20093cd
EFFICACY: 134lm/W



MODEL: ADLT61-LM32E330SWT
BEAM ANGLE: 36°
POWER: 32W
LUMENS: 4236lm
CBCP: 10389cd
EFFICACY: 132lm/W



MODEL: ADLT61-LM32E530SWT
BEAM ANGLE: 55°
POWER: 32W
LUMENS: 4027lm
CBCP: 5047cd
EFFICACY: 126lm/W