

VOLTA- MODEL: ADLT31

3" Round Narrow Recessed Downlight

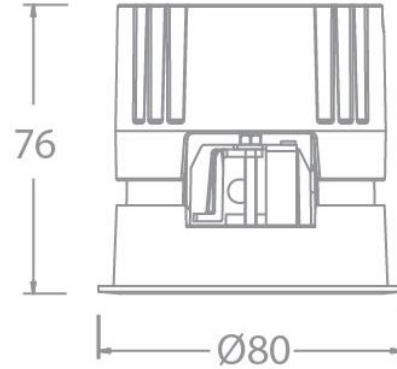
Project Name:

Type:

Product Image



Line Drawing



Product Description

VOLTA II series LED round narrow recessed downlight, streamlined appearance, with precise lens and black mirror reflector design. It guarantees light output while still achieving the ultimate anti-glare effect, and the light source cavity is sealed to minimize the impact of humid environment on its performance. Free to remove and replace the reflector or optical accessories, greatly improving the convenience of the site. Mainly suitable for hotel and commercial indoor places.

Product Features

- **Body Material:** Aluminum die-casting lamp body
- **Optical System:** Lens+Reflector
- **Finish:** Electrostatic powder coating
- **Objection Angle:** /
- **Accessory / Bracket:** See attachment
- **Certification:** CCC
- **IP Rating:** IP20
- **Insulation Class:** Class II
- **Operating Temperature:** -20°C~40°C

Product Specifications

- **Cutoff:** Ø75mm
- **Ceiling Thickness:** 1mm~15mm
- **Shading Angle:** 30°
- **LED Type:** COB
- **Source Lm:** 2700K: 7W 1065lm; 10W 1425lm; 13W 1855lm
3000K: 7W 1120lm; 10W 1500lm; 13W 1950lm
3500K: 7W 1155lm; 10W 1545lm; 13W 2010lm
4000K: 7W 1200lm; 10W 1605lm; 13W 2085lm
5000K: 7W 1230lm; 10W 1650lm; 13W 2145lm
- **LED Lifetime:** >50000h-L70 /B10-Ta25°C(LM-80/TM-21)
- **CCT/CRI:** 2700K/3000K/3500K/4000K/5000K, CRI≥90
- **Input:** 220V AC / 50Hz
- **Dimming:** Non-dimming / 0-10V/DALI (must be done in advance with the project site system to match the test)
- **Net Weight:** Approx. 0.35Kg, without packaging

Order Model

Model	Size	Trim	LED	Driver	Beam	CCT	Reflector	Finish
ADLT Downlight T series	3 3"	1 Round Trim	LM07 COB 7W	E On-Off D 0-10V Dimming	1 15° 2 24° 3 36° 5 50°	27 2700K	B Black S Specular	WT White
			LM10 COB 10W			30 3000K		BK Black
			LM13 COB 13W			35 3500K		
			LM13 COB 13W	40 4000K				
				N No Driver A DALI		50 5000K		

Example: ADLT31-LM18E230SWT

3" Round Narrow Recessed Downlight

Project Name:

Type:

Accessory

ALENS-DLT31-BEL Striped Glass Lens		ALENS-DLT31-HCL Rimless Honeycomb Grid	
--	--	--	--

Note: Up to one additional optical accessory can be installed, the factory does not come with accessories, need to be ordered separately.

Light Distribution@3000K Data

	<p>MODEL: ADLT31-LM10E130SWT</p> <p>BEAM ANGLE: 15°</p> <p>POWER: 10W</p> <p>LUMENS: 980lm</p> <p>CBCP: 7141cd</p> <p>EFFICACY: 98lm/W</p>		<p>MODEL: ADLT31-LM10E230SWT</p> <p>BEAM ANGLE: 24°</p> <p>POWER: 10W</p> <p>LUMENS: 935lm</p> <p>CBCP: 4034cd</p> <p>EFFICACY: 94lm/W</p>
	<p>MODEL: ADLT31-LM10E330SWT</p> <p>BEAM ANGLE: 36°</p> <p>POWER: 10W</p> <p>LUMENS: 1025lm</p> <p>CBCP: 2390cd</p> <p>EFFICACY: 102lm/W</p>		<p>MODEL: ADLT31-LM10E530SWT</p> <p>BEAM ANGLE: 55°</p> <p>POWER: 10W</p> <p>LUMENS: 877lm</p> <p>CBCP: 1256cd</p> <p>EFFICACY: 88lm/W</p>

VOLTA- MODEL: ADLT41

4" Round Narrow Recessed Downlight

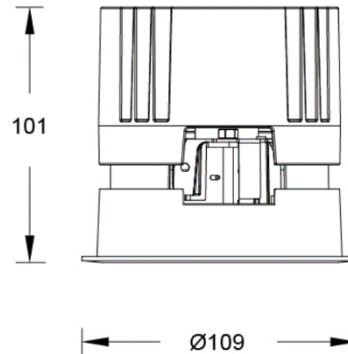
Project Name:

Type:

Product Image



Line Drawing



Product Description

VOLTA II series LED round narrow recessed downlight, streamlined appearance, with precise lens and black mirror reflector design. It guarantees light output while still achieving the ultimate anti-glare effect, and the light source cavity is sealed to minimize the impact of humid environment on its performance. Free to remove and replace the reflector or optical accessories, greatly improving the convenience of the site. Mainly suitable for hotel and commercial indoor places.

Product Features

- **Body Material:** Aluminum die-casting lamp body
- **Optical System:** Lens+Reflector
- **Finish:** Electrostatic powder coating
- **Objection Angle:** /
- **Accessory / Bracket:** See attachment
- **Certification:** CCC
- **IP Rating:** IP20
- **Insulation Class:** Class II
- **Operating Temperature:** -20°C~40°C

Product Specifications

- **Cutoff:** Ø100mm
- **Ceiling Thickness:** 1mm~20mm
- **Shading Angle:** 30°
- **LED Type:** COB
- **Source Lm:** 2700K: 13W 1855lm; 18W 2565lm
3000K: 13W 1950lm; 18W 2700lm
3500K: 13W 2010lm; 18W 2780lm
4000K: 13W 2090lm; 18W 2890lm
5000K: 13W 2145lm; 18W 2970lm
- **LED Lifetime:** >50000h-L70 /B10-Ta25°C(LM-80/TM-21)
- **CCT/CRI:** 2700K/3000K/3500K/4000K/5000K, CRI≥90
- **Input:** 220V AC / 50Hz
- **Dimming:** No dimming / 0-10V/DALI (must do match test with project site system in advance) .
- **Net Weight:** Approx. 0.6Kg, without packaging

Order Model

Model	Size	Trim	LED	Driver	Beam	CCT	Reflector	Finish
ADLT Downlight T series	4 4"	1 Round Trim	LM13 COB 13W	E On-Off	N 12°	27 2700K	B Black	WT White
			LM18 COB 18W	D 0-10V	1 18°	30 3000K	S Specular	BK Black
				Dimming	2 24°	35 3500K		
			LM18 COB 18W	N No Driver	3 36°	40 4000K		
				A DALI	5 55°	50 5000K		

Example: ADLT41-LM25E230SWT

4" Round Narrow Recessed Downlight

Project Name:

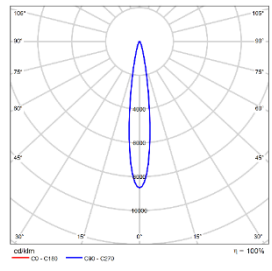
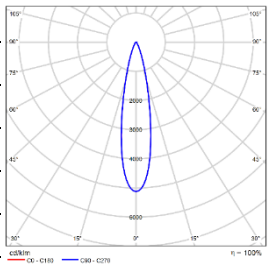
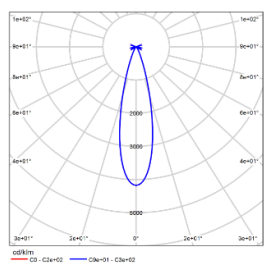
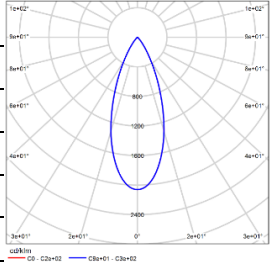
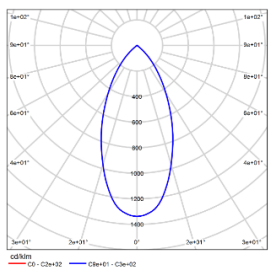
Type:

Accessory

<p>ALENS-DLT41-BEL Striped Glass Lens</p> 	<p>ALENS-DLT41-HCL Rimless Honeycomb Grid</p> 
--	--

Note: Up to one additional optical accessory can be installed, the factory does not come with accessories, need to be ordered separately.

Light Distribution@3000K Data

	<p>MODEL: ADLT41-LM18EN30SWT</p> <p>BEAM ANGLE: 12°</p> <p>POWER: 18W</p> <p>LUMENS: 1679lm</p> <p>CBCP: 19295cd</p> <p>EFFICACY: 93lm/W</p>		<p>MODEL: ADLT41-LM18E130SWT</p> <p>BEAM ANGLE: 18°</p> <p>POWER: 18W</p> <p>LUMENS: 2389lm</p> <p>CBCP: 14373cd</p> <p>EFFICACY: 133lm/W</p>
	<p>MODEL: ADLT41-LM18E230SWT</p> <p>BEAM ANGLE: 24°</p> <p>POWER: 18W</p> <p>LUMENS: 2302lm</p> <p>CBCP: 9023cd</p> <p>EFFICACY: 128lm/W</p>		<p>MODEL: ADLT41-LM18E330SWT</p> <p>BEAM ANGLE: 36°</p> <p>POWER: 18W</p> <p>LUMENS: 2176lm</p> <p>CBCP: 5323cd</p> <p>EFFICACY: 121lm/W</p>
	<p>MODEL: ADLT41-LM18E530SWT</p> <p>BEAM ANGLE: 55°</p> <p>POWER: 18W</p> <p>LUMENS: 2025lm</p> <p>CBCP: 2781cd</p> <p>EFFICACY: 112lm/W</p>		