

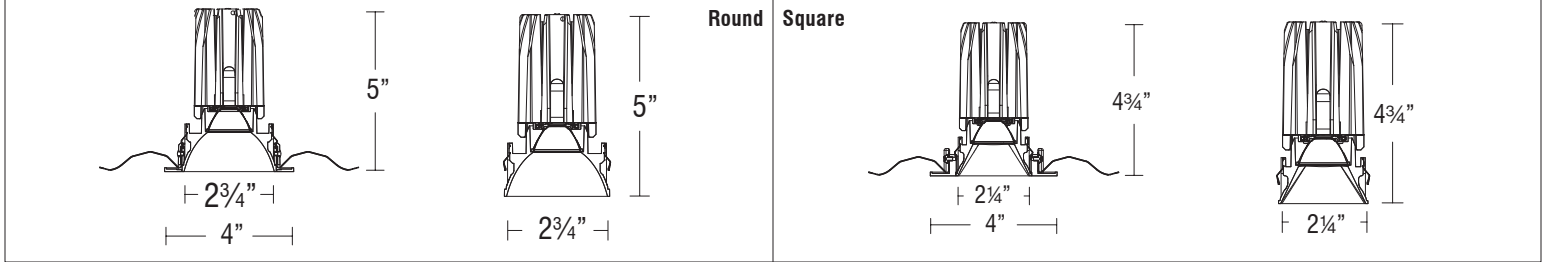
FQ Tunable White 2" Downlight

R2FRDT | R2FRDL | R2FSDT | R2FSDL

Fixture Type: _____
 Project: _____
 Catalog#: _____
 Location: _____



LINE DRAWING



PRODUCT DESCRIPTION

FQ (Function + Quality) Experience simplicity and versatility with FQ 2" recessed luminaires. The fixtures merge modern design with world-class performance to achieve the ultimate in function and flexibility. Enjoy the benefits of two fixtures in one with Tunable White 1800-4000K and Dim-to-Warm 3000K-1800K features built into each luminaire, allowing you to customize the best light to illuminate dining areas, great rooms, primary bedrooms, kitchens, and baths on the fly. Deep regressed light sources deliver a glare-free, quiet ceiling aesthetic for a clean architectural look while providing a robust output from a diminutive source.

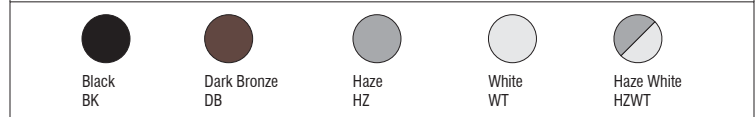
SPECIFICATIONS

Construction:	Durable die-cast self flanged aluminum construction
Mounting:	Heavy gauge retention clips support trim firmly Ceiling cut out (Round): Trim \varnothing 3 3/4" \bigcirc Trimless \varnothing 3 3/4" \bigcirc Ceiling cut out (Square): Trim 3 1/2" x 3 1/2" \square Trimless 3 1/2" x 3 1/2" \square Accommodates 1/2" - 1" ceiling thickness
Light Source:	High output 3-step Mac Adam Ellipse COB Rated life of 50,000 hours at L70
Input:	Universal 120-277V AC, 50/60 Hz
Dimming:	2CH 0-10V, DMX512-A: 100-0.1%
Maximum Delivered Intensity:	Up to 2,712 cd (Round Narrow Flood 30°, 18W, 4000K, CRI 90)
Maximum Delivered Output:	Up to 1,249 lm (Square Narrow Flood 30°, 18W, 4000K, CRI 90)
Operating Temperature:	-4°F to 104°F (-20°C to 40°C)
Standards:	ETL & cETL Damp location listed, Title 24 JA8 Compliant
Warranty:	5 year WAC Lighting guaranteed warranty

BEAM ANGLES



FINISHES



Model	Beam	Lumens	CBCP	Color Temp	CRI
		Ref Output*	Ref Output*		
R2FRDT Round Trim	N 30°	Round	1130	2465	TW 1800K-4000K 90
R2FRDL Round Trimless		Square	1135	2250	
R2FSDT Square Trim	F 42°	Round	1095	1625	
R2FSDL Square Trimless		Square	1095	1385	
	W 55°	Round	1090	1335	
		Square	1095	1100	

Lumens and CBCP are reference values for a trim fixture with 2 housing set to 3000K Color Temperature. Refer to Multiplier Table in Performance Data to determine other outputs.



FQ Tunable White
2" Downlight

R2FRDT | R2FRDL | R2FSDT | R2FSDL

Fixture Type: _____
 Project: _____
 Catalog#: _____
 Location: _____

ORDERING INFORMATION

CONFIGURATION TABLE		
Model	Color Temperature	Reflector Finish
R2FRDT	TW - 1800K-4000K	BK - BLACK
R2FRDL		DB - DARK BRONZE
R2FSDT		HZ - HAZE
R2FSDL		HZWT - HAZE/WHITE
		WT - WHITE

R2FRDT-TW-__

Example: R2FRDT-TW-WT

ORDERING NOTES

1. The "Haze/White" finish is only available on trimmed fixtures (R2FRDT, R2FSDT).
2. The "Haze" finish is only available on trimless fixtures (R2FRDL, R2FSDL).
3. Flood beam (F - 42°) reflector comes pre-installed. All three reflector options (N-30°, F-42°, and W-55°) are included.

FQ Tunable White 2" Downlight

R2FRDT | R2FRDL | R2FSDT | R2FSDL

Fixture Type: _____
 Project: _____
 Catalog#: _____
 Location: _____

ORDERING INFORMATION

HOUSINGS					
	Model	Control Options		Power	
New Construction IC Airtight - Round & Square Trim	R2FBNT-TW	X	<i>DMX512-A</i>	1	<i>14W IC</i>
		Z	<i>0-10V</i>	2	<i>18W IC</i>
New Construction IC Airtight - Round Trimless	R2FRNL-TW	X	<i>DMX512-A</i>	1	<i>14W IC</i>
		Z	<i>0-10V</i>	2	<i>18W IC</i>
New Construction IC Airtight - Square Trimless	R2FSNL-TW	X	<i>DMX512-A</i>	1	<i>14W IC</i>
		Z	<i>0-10V</i>	2	<i>18W IC</i>
Remodel Non-IC Round Trimless	R2FRRL-TW	X	<i>DMX512-A</i>	1	<i>14W Non-IC</i>
		Z	<i>0-10V</i>	2	<i>18W Non-IC</i>
Remodel Non-IC Square Trimless	R2FSRL-TW	X	<i>DMX512-A</i>	1	<i>14W Non-IC</i>
		Z	<i>0-10V</i>	2	<i>18W Non-IC</i>
Remodel IC Round & Square Trim	R2FBR2T-TW	X	<i>DMX512-A</i>	1	<i>14W IC</i>
		Z	<i>0-10V</i>		
Remodel Non-IC Round & Square Trim	R2FBRT-TW	X	<i>DMX512-A</i>	1	<i>14W Non-IC</i>
		Z	<i>0-10V</i>	2	<i>18W Non-IC</i>

ACCESSORIES	
LENS-11-HCM	<i>Honeycomb Louver</i>
LENS-11P-CRL-BK	<i>Cross Louver</i>
LENS-11AMB	<i>Amber Lens</i>
LENS-11RED	<i>Red Lens</i>
LENS-11BLU	<i>Blue Lens</i>
LENS-11GRN	<i>Green Lens</i>
LENS-11SPR	<i>Spread Lens</i>
LENS-11BEL	<i>Beam Elongating Lens</i>

R2F__-TW_-
 Example: R2FBNT-TWX-2

Millwork Housings	Size	Control Options		Power	
New Construction R2FRNM	A 0.8"	TWX	<i>DMX512-A</i>	1	<i>15W IC</i>
	B 1.5"	TWZ	<i>0-10V</i>	2	<i>21W IC</i>
		3			3
New Construction R2FSNM	A 0.8"	TWX	<i>DMX512-A</i>	1	<i>15W IC</i>
	B 1.5"	TWZ	<i>0-10V</i>	2	<i>21W IC</i>
		3			3

R2F__-TW_-
 Example: R2FRNM-A-TWZ-3

FQ Tunable White

2" Downlight

R2FRDT | R2FRDL | R2FSDT | R2FSDL

Fixture Type: _____
 Project: _____
 Catalog#: _____
 Location: _____

FEATURES

<p>Optics:</p> <ul style="list-style-type: none"> • High lumen output across the full Tunable White CCT range of 1800K - 4000K • Powerful glare control due to the fixtures 30° shielding angle, 35° vertical tilting, and 360° horizontal rotation 	<p>Construction:</p> <ul style="list-style-type: none"> • Two piece die-cast aluminum constructed body and trim
<p>LED:</p> <ul style="list-style-type: none"> • High output COB LED with a 3-step Mac Adam ellipse • Rated operational life of 50,000 hours at L70 (LED maintains 70% of its initial delivered lumens when brand new for 50,000 hours of use.) 	<p>Trim and Reflector:</p> <ul style="list-style-type: none"> • Reflectors with beam angles of 30°, 42°, and 55° are all included and swappable
<p>Electrical:</p> <ul style="list-style-type: none"> • Input power is universal 120-277VAC and 50/60 Hz • Available in 14W and 18W power levels 	<p>Installation:</p> <ul style="list-style-type: none"> • Light engine is mounted onto the trim using springs that allow for easy replacement • Heavy gauge retention clips firmly support the trim within the housing
<p>Dimming:</p> <ul style="list-style-type: none"> • DMX512-A and 2 Channel 0-10V dimming are available • DMX512-A and 2 Channel 0-10V dimming are both capable of a range of 100 - 0.1% 	<p>Warranty:</p> <ul style="list-style-type: none"> • WAC Architectural limited warranty up to 5 years • Full warranty found at: wacighting.com/warranty
<p>Notes:</p> <ul style="list-style-type: none"> • The White, Black, and Dark Bronze finishes are all electrostatically powder coated • The Haze finish is enamel coated 	

FQ Tunable White 2" Downlight

R2FRDT | R2FRDL | R2FSDT | R2FSDL

Fixture Type: _____

Project: _____

Catalog#: _____

Location: _____

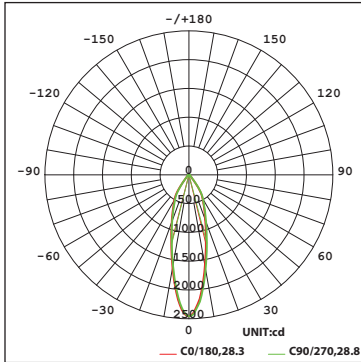
PERFORMANCE DATA

Polar Candela Distribution Charts

Samples shown with a 18W fixture set to 3000K and 90 CRI.

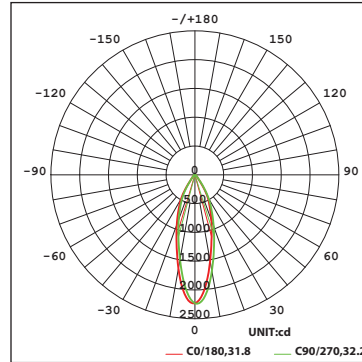
ROUND

Narrow Flood Beam: 30° Beam

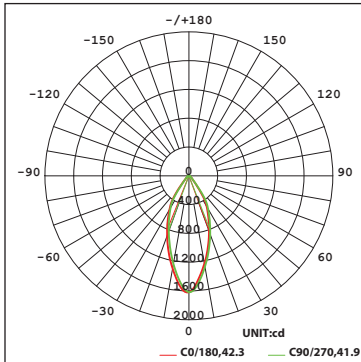


SQUARE

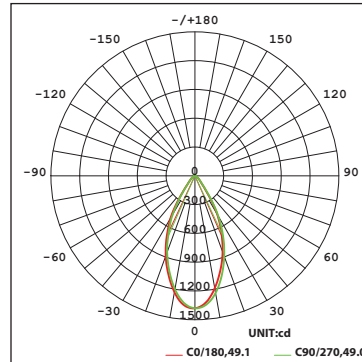
Narrow Flood Beam: 30° Beam



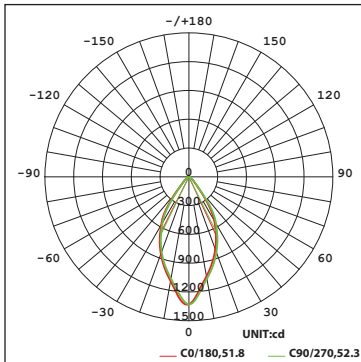
Flood Beam: 42° Beam



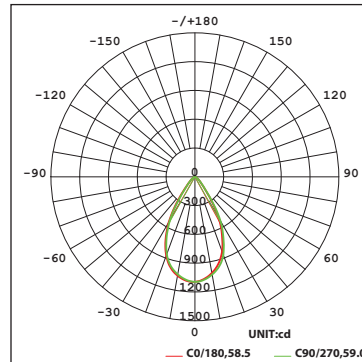
Flood Beam: 42° Beam



Wide Flood Beam: 55° Beam



Wide Flood Beam: 55° Beam



FQ Tunable White 2" Downlight

R2FRDT | R2FRDL | R2FSDT | R2FSDL

Fixture Type: _____
 Project: _____
 Catalog#: _____
 Location: _____

PERFORMANCE DATA

Unified Glare Rating (UGR) Table

UGR values shown are calculated for a Round Trim fixture with a 18W Narrow Flood Beam (30°) optic at 3000K and 90 CRI. General performance of other beam angles shown below.

ceiling/cavity	0.7	0.7	0.5	0.5	0.3	0.7	0.7	0.5	0.5	0.3	
walls	0.5	0.3	0.5	0.3	0.3	0.5	0.3	0.5	0.3	0.3	
working plane	0.2	0.2	0.2	0.2	0.2	0.2	0.2	0.2	0.2	0.2	
Room dimensions	Viewed crosswise					Viewed endwise					
x = 2H y = 2H	22.3	23.3	22.5	23.4	23.6	22.0	22.9	22.2	23.1	23.3	
3H	22.7	23.6	23.0	23.8	24.0	22.4	23.3	22.7	23.5	23.7	
4H	23.0	23.8	23.2	24.0	24.2	22.7	23.5	22.9	23.7	23.9	
6H	23.2	24.0	23.5	24.2	24.4	22.9	23.7	23.2	23.9	24.2	
8H	23.3	24.0	23.6	24.3	24.5	23.0	23.7	23.3	24.0	24.2	
12H	23.3	24.0	23.6	24.3	24.6	23.0	23.7	23.3	24.0	24.3	
4H	2H	22.3	23.1	22.6	23.4	23.6	22.0	22.9	22.3	23.1	23.3
3H	22.9	23.6	23.2	23.9	24.2	22.6	23.4	23.0	23.6	23.9	
4H	23.3	23.9	23.6	24.2	24.5	23.0	23.7	23.4	24.0	24.3	
6H	23.6	24.2	24.0	24.5	24.9	23.4	24.0	23.8	24.3	24.6	
8H	23.8	24.3	24.2	24.7	25.0	23.5	24.0	23.9	24.4	24.8	
12H	23.9	24.4	24.3	24.7	25.1	23.6	24.1	24.0	24.4	24.8	
8H	4H	23.4	23.9	23.8	24.3	24.6	23.1	23.7	23.5	24.0	24.4
6H	23.9	24.3	24.3	24.7	25.1	23.6	24.1	24.1	24.5	24.9	
8H	24.1	24.5	24.5	24.9	25.3	23.8	24.2	24.3	24.6	25.1	
12H	24.2	24.6	24.7	25.0	25.5	23.9	24.3	24.4	24.7	25.2	
12H	4H	23.4	23.9	23.8	24.2	24.6	23.1	23.6	23.5	24.0	24.4
6H	23.9	24.3	24.3	24.7	25.1	23.7	24.0	24.1	24.5	24.9	
8H	24.1	24.5	24.6	24.9	25.4	23.9	24.2	24.4	24.7	25.1	

Round Fixture	Angle	UGR Range
Narrow Flood	30°	≤25
Flood	42°	≤27
Wide Flood	55°	≤27

Square Fixture	Angle	UGR Range
Narrow Flood	30°	≤24
Flood	42°	≤25
Wide Flood	55°	≤26

Lumens and CBCP Multiplier Table

Use the below table to determine lumens and CBCP values for the combinations of power, color temperature, and CRI values.

Lumens & CBCP Multiplier		Color Temperature					
TWA (1800K - 4000K)	Housing Power Level	1800K	2200K	2700K	3000K	3500K	4000K
	1 (14W)	0.59	0.69	0.76	0.80	0.85	0.88
	2 (18W)	0.74	0.86	0.95	1.00	1.06	1.10

FQ Tunable White
2" Downlight

R2FRDT | R2FRDL | R2FSDT | R2FSDL

Fixture Type: _____

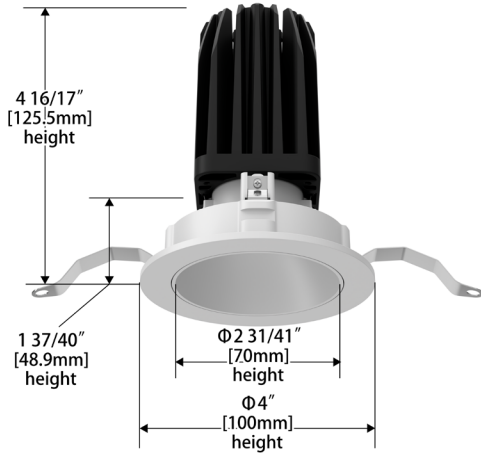
Project: _____

Catalog#: _____

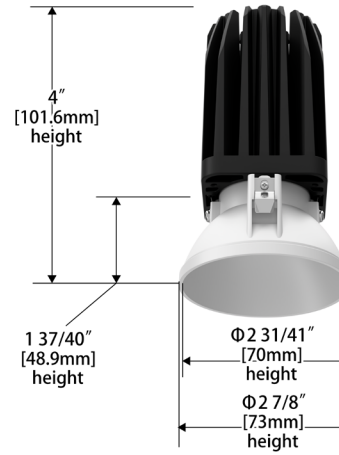
Location: _____

DIMENSIONAL DIAGRAMS

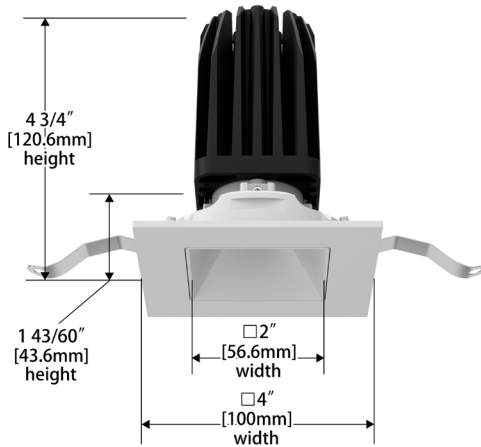
Round Trim (R2FRDT)



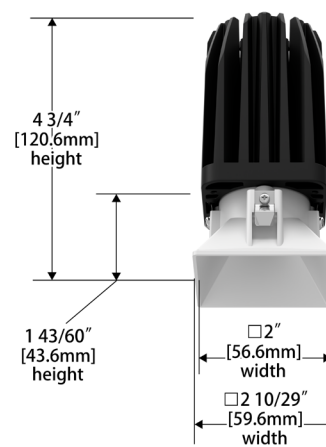
Round Trimless (R2FRDL)



Square Trim (R2FSDT)



Square Trimless (R2FSDL)



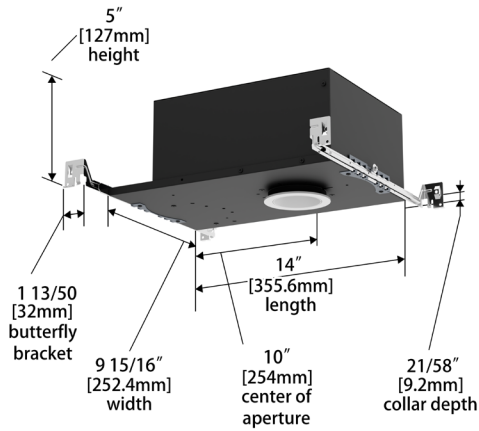
FQ Tunable White
2" Downlight

R2FRDT | R2FRDL | R2FSDT | R2FSDL

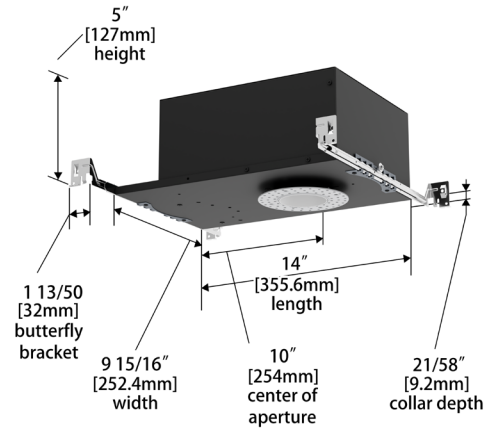
Fixture Type: _____
 Project: _____
 Catalog#: _____
 Location: _____

DIMENSIONAL DIAGRAMS

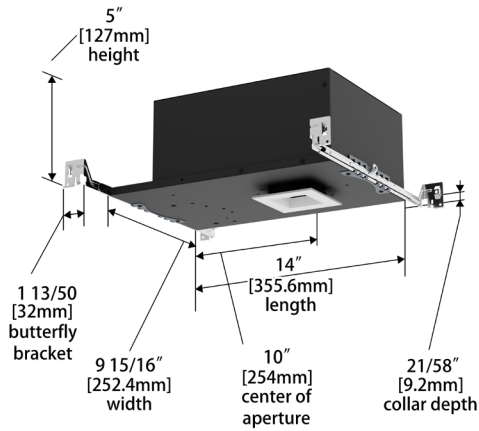
New Construction - Round Trim



New Construction - Round Trimless



New Construction - Square Trim



New Construction - Square Trimless

