

Fuego Compact

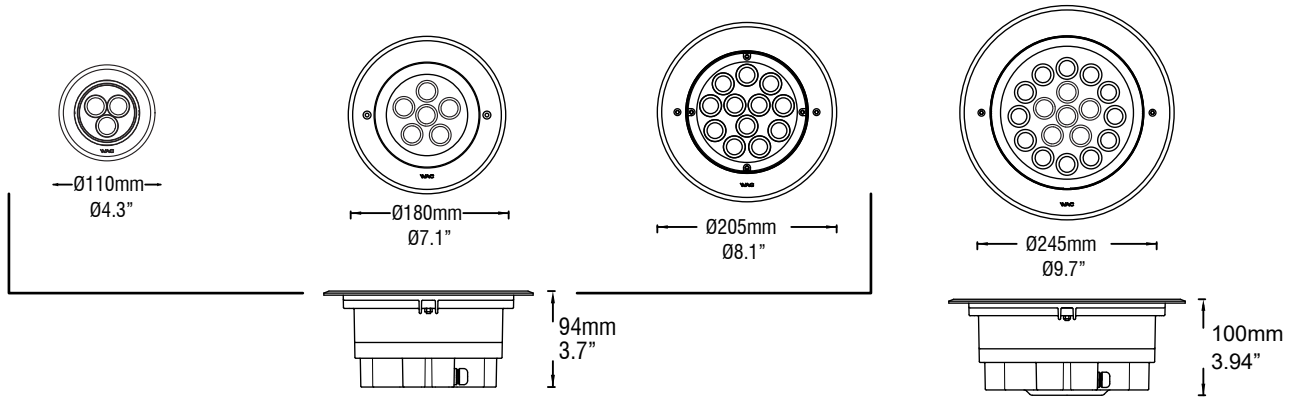
In-Ground Luminaire - Static White

FCH04 | FCH07 | FCH08 | FCH10

Fixture Type: _____
 Project: _____
 Catalog#: _____
 Location: _____



LINE DRAWING



PRODUCT DESCRIPTION

The FUEGO Compact features a high-quality 316 stainless steel face frame, an aluminum die-cast housing, and a high-temperature powder-coated finish. It is designed for outdoor environments, with an IP68 protection rating, IK08 impact resistance rating, and a load-bearing capacity of up to 1500 kg. The fixture is equipped with a high-transmittance lens and a patented anti-glare system. The pre-buried sleeve design allows for easy installation and maintenance. It is ideal for use in residential areas, including parks, plazas, shopping centers, and for facade lighting applications.

SPECIFICATIONS

Construction: Die-cast stainless steel trim with die-cast aluminum heat sink

Mounting: In-ground installation with vacuum molded mud stopper and PVC casing
 In-ground cut out: Beam - S Ø 165mm / 6.50" ○
 Beam - N Ø 185mm / 7.28" ○
 Beam - M Ø 225mm / 8.86" ○

Light Source: High output 3-step Mac Adam Ellipse
 Rated life of 50,000 hours at L70

Input: Universal 120-277V AC, 50/60 Hz

Dimming: 0-10V, DMX512-A

Maximum Delivered Intensity: Up to 93,462 cd (FC10, U - 6°/7°, 4000K, 80 CRI)

Maximum Delivered Output: Up to 2,938 lm (FC10, S - 13°/14°, 4000K, 80 CRI)

Operating Temperature: -4°F to 114°F (-20°C to 50°C)

Standards: ETL & cETL Wet location listed, Title 24 JA8 Compliant

Warranty: 5 year WAC Lighting guaranteed warranty

BEAM ANGLES



FIXTURE SIZES



Model	Beam		Lumens Ref Output*	CBCP	Color Temp & CRI
	Ultra Narrow 6,7°	FCH04 (6W)	458	15,296	827 - 2700K - 80 830 - 3000K - 80 840 - 4000K - 80
		FCH07 (13W)	924	31,506	
		FCH08 (21W)	1,805	58,892	
		FCH10 (33W)	2,681	87,348	
FCH04 4.3" FCH07 7.1" FCH08 8.1" FCH10 9.7"	Spot 13,14°	FCH04 (6W)	476	6,645	
		FCH07 (13W)	962	13,955	
		FCH08 (21W)	1,876	28,200	
		FCH10 (33W)	2,746	40,263	
	Narrow Flood 20°	FCH04 (6W)	472	3,374	
		FCH07 (13W)	949	6,882	
		FCH08 (21W)	1,874	13,437	
		FCH10 (33W)	2,683	19,055	
	Medium Flood 30°	FCH04 (6W)	456	1,545	
		FCH07 (13W)	918	3,064	
		FCH08 (21W)	1,798	6,065	
		FCH10 (33W)	2,675	9,210	

Lumens and CBCP are reference values for fixtures set to 3000K Color Temperature. Refer to Multiplier Table on the next page to determine other outputs.

wacarchitectural.com | WAC Architectural, a WAC Group brand.

WAC Group Headquarters
 44 Harbor Park Drive
 Port Washington, NY 11050

WAC Architectural
 Phone (800) 526.2588
 Fax (800) 526.2585



APR 2026 | P. 1 of 2

WAC GROUP

Fuego Compact
 In-Ground Luminaire - Static White
 FCH04 | FCH07 | FCH08 | FCH10

Fixture Type: _____
 Project: _____
 Catalog#: _____
 Location: _____

ORDERING INFORMATION

CONFIGURATION TABLE				
Model & Power	Color Temperature & CRI	Control Options	Beam	Finish
FCH04	827 - 2700K - 80	L: 0-10V	U: Ultra Narrow - 6, 7°	SS - Black-painted Stainless Steel
FCH07	830 - 3000K - 80	D: DMX512-A	S: Spot - 13°, 14°	
FCH08	840 - 4000K - 80		N: Narrow Flood - 20°	
FCH10			M: Medium Flood - 30°	

FCH__ - __L-__-SS

Example: FCH10-840L-N-SS

ORDERING NOTES
1. The Spot and Narrow Flood beam angles for FCH04 are: S - 6°, N - 13°.

Lumens and CBCP Multiplier Table

Use the below table to determine lumens and CBCP values for the combinations of power, color temperature, and CRI values.

Color Temperature		
2700K	3000K	4000K
0.96	1.00	1.07