

## Swallow III High Power COB

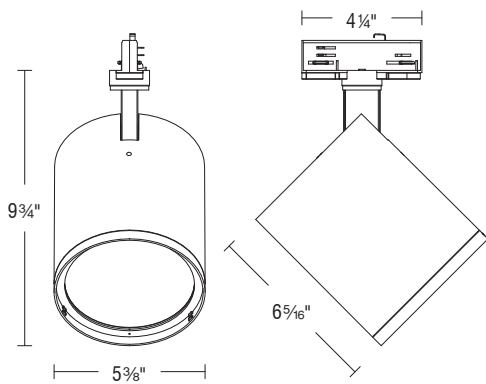
WTK-43 | WHK-43 | MO-N43 | MO-R43

Fixture Type: \_\_\_\_\_  
 Project: \_\_\_\_\_  
 Catalog#: \_\_\_\_\_  
 Location: \_\_\_\_\_

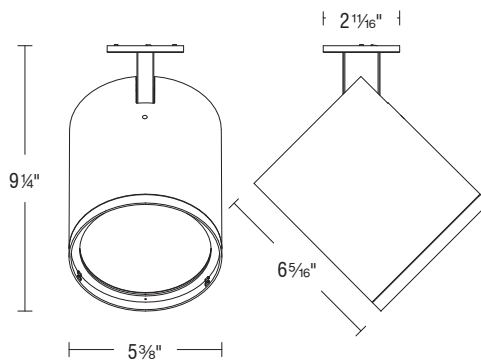


### LINE DRAWING

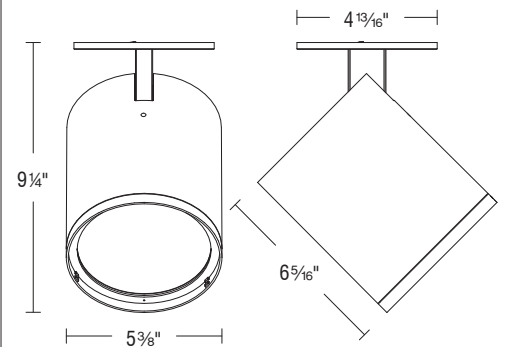
#### Track Mounted (WTK, WHK)



#### New Construction (MO-N43)



#### Remodel (MO-R43)



### PRODUCT DESCRIPTION

Designed for W two-circuit track systems, the Swallow III features a sleek, refined appearance with a die-cast aluminum housing and a concealed heat sink for a clean, modern look. It utilizes a high-performance COB LED module, offering multiple standard CCT options and excellent color rendering. A variety of beam angles are available, and interchangeable accessories can be easily replaced by hand to create different lighting effects.

### SPECIFICATIONS

**Construction:** Die-cast aluminum alloy body

**Mounting:** Track mounted

**Light Source:** High output 3-step Mac Adam Ellipse  
 Rated life of 50,000 hours at L70

**Input:** Universal 120-277V AC, 50/60 Hz

**Dimming:** ELV, TRIAC, and 0-10V: 100 - 1%

**Operating Temperature:** -4°F to 104°F (-20°C to 40°C)

**Standards:** ETL & cETL

**Warranty:** 5 year WAC Lighting guaranteed warranty

### BEAM ANGLES



V - 8°



S - 15°



N - 24°



M - 36°



W - 55°

### FINISHES



Black  
BK



White  
WT

## Swallow III High Power COB

WTK-43 | WHK-43 | MO-N43 | MO-R43

Fixture Type: \_\_\_\_\_  
 Project: \_\_\_\_\_  
 Catalog#: \_\_\_\_\_  
 Location: \_\_\_\_\_

### ORDERING INFORMATION

CONFIGURATION TABLE			
Model & Power	Beam Angle	Color Temperature & CRI	Housing Finish
<b>WTK-43</b> (120V)	<b>V</b> - Very Narrow 8°	<b>927</b> - 2700K - 90	<b>BK</b> - BLACK
<b>WHK-43</b> (277V)	<b>S</b> - Spot 15°	<b>930</b> - 3000K - 90	<b>WT</b> - WHITE
<b>MO-N43</b> (120-277V)	<b>N</b> - Narrow Flood 24°	<b>935</b> - 3500K - 90	
<b>MO-R43</b> (120-277V)	<b>M</b> - Medium Flood 36°	<b>940</b> - 4000K - 90	
	<b>W</b> - Wide Flood 55°		

**W\_K-43S-**\_\_\_\_\_

Example: WTK-43S-S930WT

**MO- 43S-**\_\_\_\_\_

Example: MO-N43S-M930BK

ACCESSORIES	
LENS-43H-VWT	TL43H 0D LENS MODULE WT
LENS-43H-VBK	TL43H 0D LENS MODULE B
LENS-43H-SWT	TL43H 15D DIFFUSION LENS MODULE WT
LENS-43H-SBK	TL43H 15D DIFFUSION LENS MODULE BK
LENS-43H-NWT	TL43H 24D DIFFUSION LENS MODULE WT
LENS-43H-NBK	TL43H 24D DIFFUSION LENS MODULE BK
LENS-43H-MWT	TL43H 36D DIFFUSION LENS MODULE WT
LENS-43H-MBK	TL43H 36D DIFFUSION LENS MODULE BK
LENS-43H-WWT	TL43H 55D DIFFUSION LENS MODULE WT
LENS-43H-WBK	TL43H 55D DIFFUSION LENS MODULE BK
LENS-43H-HWT	TL43H INTEGRAL HONEYCOMB MODULE WT
LENS-43H-HBK	TL43H INTEGRAL HONEYCOMB MODULE BK
LENS-43H-AWT	TL43H WALL WASHING LENS MODULE WT
LENS-43H-ABK	TL43H WALL WASHING LENS MODULE BK
LENS-43H-EWT	TL43H ELLIPSE LENS MODULE 15X55D WT
LENS-43H-EBK	TL43H ELLIPSE LENS MODULE 15X55D BK
LENS-43H-GWT	TL43H ELLIPSE LENS MODULE 22X55D WT
LENS-43H-GBK	TL43H ELLIPSE LENS MODULE 22X55D BK
LENS-43H-SNT-WT	TL43H INTEGRAL CONDENSER MODULE WT
LENS-43H-SNT-BK	TL43H INTEGRAL CONDENSER MODULE BK
LENS-43H-BD-WT	TL43H FOUR LEAF SHADE MODULE WT
LENS-43H-BD-BK	TL43H FOUR LEAF SHADE MODULE BK

# Swallow III

## High Power COB

WTK-43 | WHK-43 | MO-N43 | MO-R43

Fixture Type: \_\_\_\_\_  
 Project: \_\_\_\_\_  
 Catalog#: \_\_\_\_\_  
 Location: \_\_\_\_\_

### FEATURES

<p><b>Optics:</b></p> <ul style="list-style-type: none"> <li>• Armature capable of 360° horizontal rotation and 90° vertical aiming</li> </ul>	<p><b>Construction:</b></p> <ul style="list-style-type: none"> <li>• Die-cast aluminum fixture with driver enclosed in canopy</li> </ul>
<p><b>LED:</b></p> <ul style="list-style-type: none"> <li>• High output COB LED with a 3-step Mac Adam ellipse</li> <li>• Rated operational life of 50,000 hours at L70 (LED maintains 70% of its initial delivered lumens when brand new for 50,000 hours of use.)</li> </ul>	<p><b>Trim and Reflector:</b></p> <ul style="list-style-type: none"> <li>• Six beam angles are available: Very Narrow, Spot, Narrow Flood, Medium Flood, Wide Flood, and Wall Wash</li> </ul>
<p><b>Electrical:</b></p> <ul style="list-style-type: none"> <li>• Input power is 120VAC for WTK fixtures, 277VAC for WHK fixtures, and 120-277VAC for MO fixtures</li> <li>• Available in a 36W power level</li> </ul>	<p><b>Installation:</b></p> <ul style="list-style-type: none"> <li>• Track mounted (WTK, WHK)</li> <li>• Ceiling and wall mountable as a monopoint fixture (MO)</li> </ul>
<p><b>Dimming:</b></p> <ul style="list-style-type: none"> <li>• Electronic low voltage (ELV) and 0-10V dimming are available</li> <li>• ELV and 0-10V dimming are capable of a range of 100 - 5%</li> </ul>	<p><b>Warranty:</b></p> <ul style="list-style-type: none"> <li>• WAC Architectural limited warranty up to 5 years</li> <li>• Full warranty found at: <a href="http://wacighting.com/warranty">wacighting.com/warranty</a></li> </ul>
<p><b>Notes:</b></p> <ul style="list-style-type: none"> <li>• The White and Black finishes are electrostatically powder coated</li> </ul>	

## Swallow III High Power COB

WTK-43 | WHK-43 | MO-N43 | MO-R43

Fixture Type: \_\_\_\_\_

Project: \_\_\_\_\_

Catalog#: \_\_\_\_\_

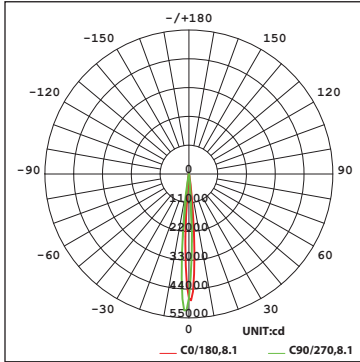
Location: \_\_\_\_\_

### PERFORMANCE DATA

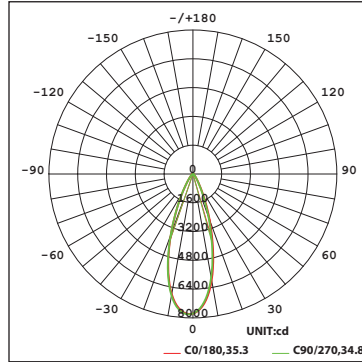
#### Polar Candela Distribution Charts

Samples shown with a 120V fixture with a Black finish set to 3000K.

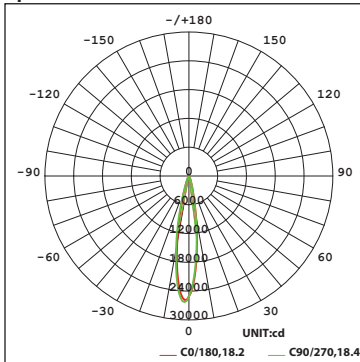
**Very Narrow Beam: 8° Beam**



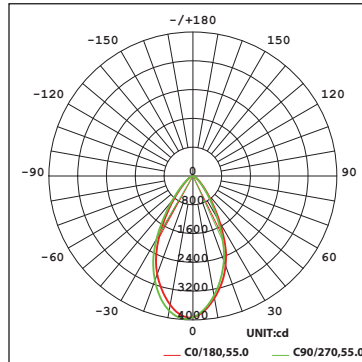
**Medium Flood Beam: 36° Beam**



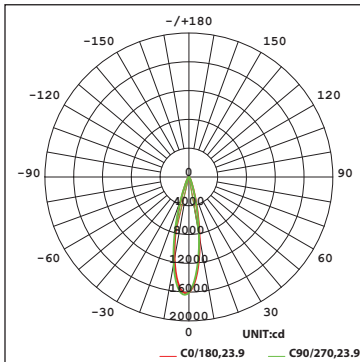
**Spot Beam: 15° Beam**



**Wide Flood Beam: 55° Beam**



**Narrow Flood Beam: 24° Beam**



## Swallow III High Power COB

WTK-43 | WHK-43 | MO-N43 | MO-R43

Fixture Type: \_\_\_\_\_  
Project: \_\_\_\_\_  
Catalog#: \_\_\_\_\_  
Location: \_\_\_\_\_

### PERFORMANCE DATA

#### Unified Glare Rating (UGR) Table

UGR values shown are calculated for a fixture with a Very Narrow Beam (8°) optic at 3000K and 90 CRI. General performance of other beam angles shown below.

ceiling/cavity	0.7	0.7	0.5	0.5	0.3	0.7	0.7	0.5	0.5	0.3	
walls	0.5	0.3	0.5	0.3	0.3	0.5	0.3	0.5	0.3	0.3	
working plane	0.2	0.2	0.2	0.2	0.2	0.2	0.2	0.2	0.2	0.2	
Room dimensions	Viewed crosswise					Viewed endwise					
x = 2H y = 2H	8.3	8.9	8.5	9.0	9.1	8.8	9.3	9.0	9.5	9.6	
3H	8.2	8.7	8.5	8.9	9.1	8.7	9.2	9.0	9.4	9.6	
4H	8.2	8.6	8.4	8.8	9.0	8.7	9.1	8.9	9.3	9.5	
6H	8.1	8.5	8.3	8.7	9.0	8.6	9.0	8.8	9.2	9.5	
8H	8.0	8.5	8.3	8.7	8.9	8.5	9.0	8.8	9.2	9.4	
12H	8.0	8.4	8.3	8.7	8.9	8.5	8.9	8.8	9.2	9.4	
4H	2H	8.3	8.8	8.5	9.0	9.2	8.7	9.2	9.0	9.4	9.6
3H	8.1	8.5	8.4	8.8	9.1	8.6	9.0	8.9	9.3	9.5	
4H	8.0	8.4	8.4	8.7	9.0	8.5	8.9	8.8	9.2	9.5	
6H	7.9	8.3	8.3	8.6	8.9	8.4	8.8	8.8	9.1	9.4	
8H	7.9	8.2	8.3	8.5	8.9	8.3	8.7	8.7	9.0	9.4	
12H	7.8	8.1	8.2	8.5	8.9	8.3	8.6	8.7	9.0	9.3	
8H	4H	7.9	8.2	8.3	8.5	8.9	8.3	8.7	8.7	9.0	9.4
6H	7.8	8.0	8.2	8.4	8.8	8.2	8.5	8.7	8.9	9.3	
8H	7.7	7.9	8.1	8.3	8.8	8.2	8.4	8.6	8.8	9.3	
12H	7.6	7.8	8.1	8.3	8.7	8.1	8.3	8.6	8.7	9.2	
12H	4H	7.8	8.1	8.2	8.5	8.9	8.3	8.6	8.7	9.0	9.3
6H	7.7	7.9	8.1	8.3	8.8	8.2	8.4	8.6	8.8	9.3	
8H	7.6	7.8	8.1	8.3	8.7	8.1	8.3	8.6	8.7	9.2	

Round Fixture	Angle	UGR Range
Very Narrow	8°	≤10
Spot	15°	≤16
Narrow Flood	24°	≤15
Medium Flood	36°	≤18
Wide Flood	55°	≤23

#### Lumens and CBCP Multiplier Table

Use the below table to determine lumens and CBCP values for the combinations of power, color temperature, and CRI values.

Color Temperature			
2700K	3000K	3500K	4000K
0.93	1.00	1.07	1.14

wacarchitectural.com | WAC Architectural, a WAC Group brand.

WAC Group Headquarters  
44 Harbor Park Drive  
Port Washington, NY 11050

WAC Architectural  
Phone (800) 526.2588  
Fax (800) 526.2585

APR 2026 | P. 5 of 7

WAC GROUP

# Swallow III

## High Power COB

WTK-43 | WHK-43 | MO-N43 | MO-R43

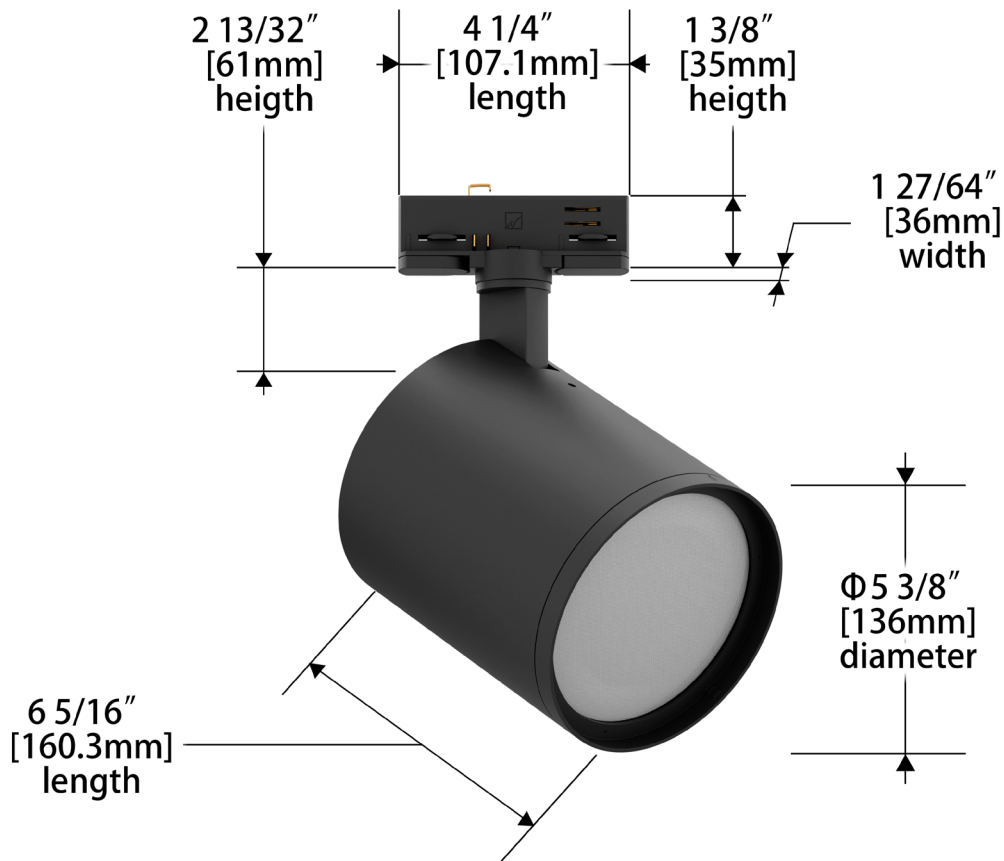
Fixture Type: \_\_\_\_\_

Project: \_\_\_\_\_

Catalog#: \_\_\_\_\_

Location: \_\_\_\_\_

### DIMENSIONAL DIAGRAMS



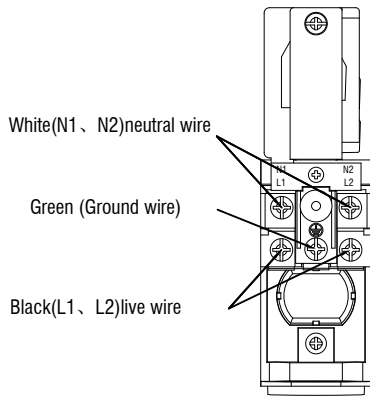
## Swallow III High Power COB

WTK-43 | WHK-43 | MO-N43 | MO-R43

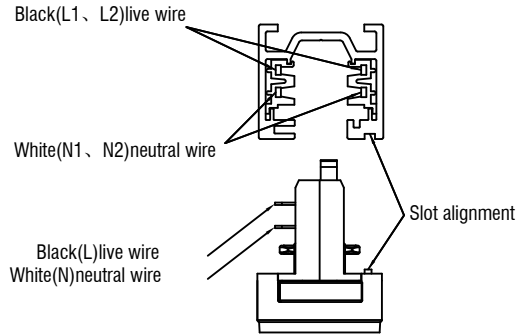
Fixture Type: \_\_\_\_\_  
 Project: \_\_\_\_\_  
 Catalog#: \_\_\_\_\_  
 Location: \_\_\_\_\_

### WIRING DIAGRAM

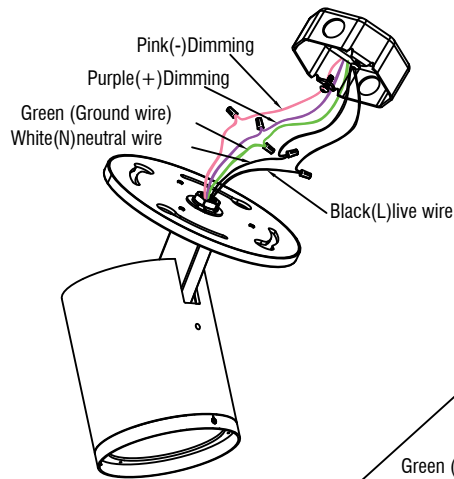
Schematic diagram of track inlet power connection.



Reference diagram for track and track connector circuit.



### REMODEL



### NEW CONSTRUCTION

