

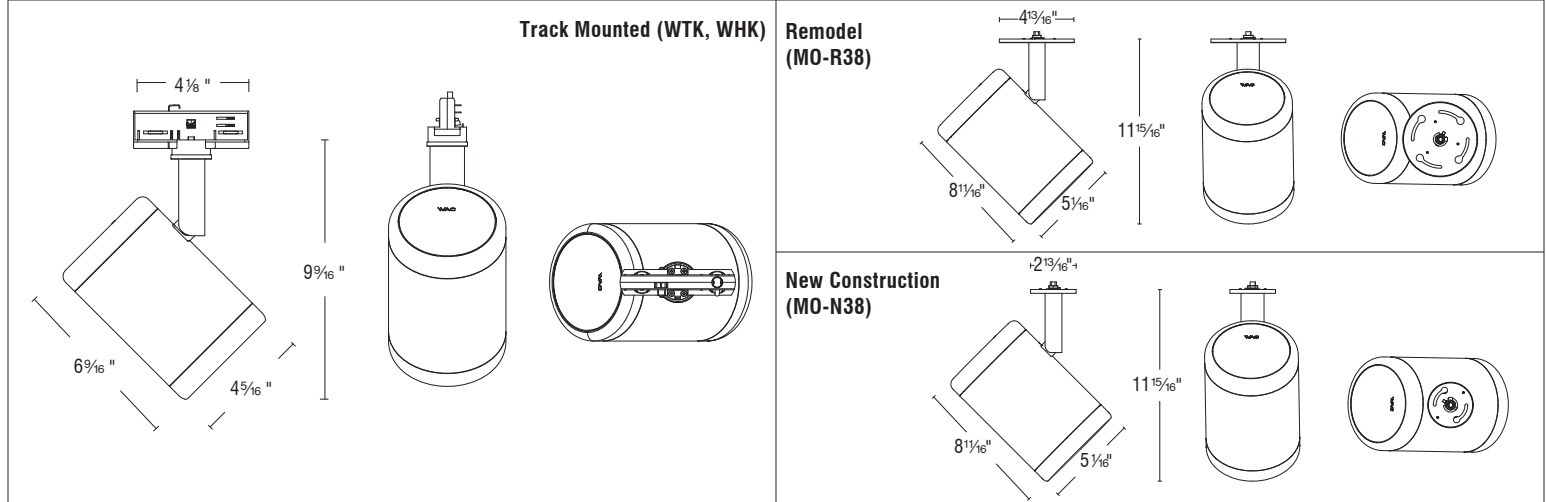
Mere High Power COB

WTK-38 | WHK-38 | MO-N38 | MO-R38

Fixture Type: _____
 Project: _____
 Catalog#: _____
 Location: _____



LINE DRAWING



PRODUCT DESCRIPTION

Smarter, more flexible, and more versatile MERE track lighting. MERE offers a wide range of optical configurations, color temperatures, accessories, and even a DIY intelligent control module. The innovative 0-10V and knob dimming design makes on-site system commissioning and individual adjustment more flexible and convenient.

SPECIFICATIONS

| | |
|-------------------------------|--|
| Construction: | Injection molded polycarbonate low glare trim |
| Mounting: | Track mounted (WTK, WHK); ceiling mounted (MO) Ceiling cut out: $\varnothing 4\frac{1}{2}"$ Accommodates 1/2" - 2" ceiling thickness |
| Light Source: | High output 3-step Mac Adam Ellipse COB Rated life of 50,000 hours at L70 |
| Input: | Universal 120-277V AC, 50/60 Hz |
| Power: | 54W |
| Dimming: | ELV, TRIAC, and 0-10V: 100 - 1% |
| Operating Temperature: | -4°F to 104°F (-20°C to 40°C) |
| Standards: | ETL & cETL |
| Warranty: | 5 year WAC Lighting guaranteed warranty |

BEAM ANGLES



FINISHES



| Model | Beam | Lumens Ref Output* | CBCP | Color Temp | CRI |
|---|-------|--------------------|------|--|-----|
| WTK-38 WHK-38 $\varnothing 4.33"$ MO-N38 $\varnothing 110\text{mm}$ MO-R38 | V 8° | 945 | 2960 | 927 - 2700K 930 - 3000K 935 - 3500K 940 - 4000K | 90 |
| | S 12° | 960 | 2470 | | |
| | N 24° | 815 | 785 | | |
| | M 36° | 960 | 2470 | | |
| | W 50° | 815 | 785 | | |

Lumens and CBCP are reference values for fixtures set to 3000K Color Temperature. Refer to Multiplier Table in Performance Data to determine other outputs.



Mere High Power COB

WTK-38 | WHK-38 | MO-N38 | MO-R38

Fixture Type: _____
 Project: _____
 Catalog#: _____
 Location: _____

ORDERING INFORMATION

| CONFIGURATION TABLE | | | |
|--------------------------|-----------------------------|-------------------------|-------------------|
| Model & Power | Beam Angle | Color Temperature & CRI | Housing Finish |
| WTK-38 (120V) | V - Very Narrow 8° | 927 - 2700K - 90 | BK - BLACK |
| WHK-38 (277V) | S - Spot 12° | 930 - 3000K - 90 | WT - WHITE |
| MO-N38 (120-277V) | N - Narrow Flood 24° | 935 - 3500K - 90 | |
| MO-R38 (120-277V) | M - Medium Flood 36° | 940 - 4000K - 90 | |
| | W - Wide Flood 50° | | |

W_K-38S- _____

Example: WTK-38S-S930WT

MO- 38S- _____

Example: MO-N38S-M930BK

| ACCESSORIES | |
|------------------|--------------------------------------|
| LENS-38S-WWWT | TL38 WALL - WASHING LENS |
| LENS-38S-EEWT | TL38 STRECHTED LENS |
| LENS-38S-SSWT | TL38 SMALL DIFFUSION LENS |
| LENS-38S-MMWT | TL38 MEDIUM DIFFUSION LENS |
| LENS-38S-LLWT | TL38 HEAVY DIFFUSION LENS |
| LENS-38S-SQWT | TL38 SQUARE DIFFUSION LENS |
| LENS-38S-CSBK | TL38 12D DIFFUSION LENS MODULE BLACK |
| LENS-38S-CNBK | TL38 24D DIFFUSION LENS MODULE BLACK |
| LENS-38S-CMBK | TL38 36D DIFFUSION LENS MODULE BLACK |
| LENS-38S-CWBK | TL38 50D DIFFUSION LENS MODULE BLACK |
| LENS-38S-SNOOT-B | TL38 CONDENSER BLACK |
| LENS-38S-SNOOT-W | TL38 CONDENSER WHITE |
| LENS-38S-HCM | TL38 HONEYCOMB MESH |
| LENS-38S-BD-BK | TL38 LIGHT SHIELDING PLATE BLACK |
| LENS-38S-BD-WT | TL38 LIGHT SHIELDING PLATE WHITE |
| LENS-38S-HSBK | TL38 HISTORICAL SENSE FILTER |
| LENS-38S-RGBK | TL38 RECOGNITION FILTER |
| LENS-38S-PFBK | TL38 PREFERENCE FILTER |

ORDERING NOTES

- The WTK-38 fixture is 120V and the WHK-38 fixture is 277V. Both fixtures are track mounted.
- The MO-N38 fixture is a ceiling mounted monopoint fixture for New Construction installations. The MO-R38 fixture is a ceiling mounted monopoint fixture for Remodel installations.

Mere
High Power COB

WTK-38 | WHK-38 | MO-N38 | MO-R38

Fixture Type: _____
 Project: _____
 Catalog#: _____
 Location: _____

FEATURES

| | |
|--|--|
| <p>Optics:</p> <ul style="list-style-type: none"> • Fixture features adjustabilities of 0-365° horizontally and 0-90° vertically • Optical accessories feature toolless installation and removal | <p>Construction:</p> <ul style="list-style-type: none"> • Die-cast aluminum body |
| <p>LED:</p> <ul style="list-style-type: none"> • High output COB LED with a 3-step Mac Adam ellipse • Rated operational life of 50,000 hours at L70 (LED maintains 70% of its initial delivered lumens when brand new for 50,000 hours of use.) | <p>Trim and Reflector:</p> <ul style="list-style-type: none"> • Five beam angles are available: Very Narrow, Spot, Narrow Flood, Medium Flood, and Flood |
| <p>Electrical:</p> <ul style="list-style-type: none"> • Input power is universal 120-277VAC, 50/60 Hz • Available at a 54W power level | <p>Installation:</p> <ul style="list-style-type: none"> • Suitable for W track systems |
| <p>Dimming:</p> <ul style="list-style-type: none"> • Electronic low voltage (ELV), TRIAC, and 0-10V dimming available • ELV, TRIAC, and 0-10V dimming is capable of a range of 100 - 1% | <p>Warranty:</p> <ul style="list-style-type: none"> • WAC Architectural limited warranty up to 5 years • Full warranty found at: wacighting.com/warranty |
| <p>Notes:</p> <ul style="list-style-type: none"> • The White and Black finishes for the body are electrostatically powder coated | |

Mere High Power COB

WTK-38 | WHK-38 | MO-N38 | MO-R38

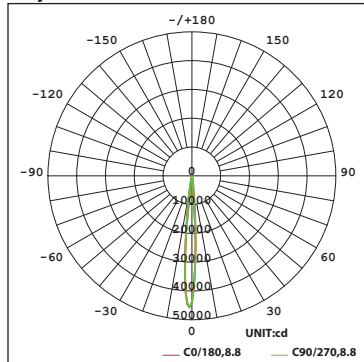
Fixture Type: _____
 Project: _____
 Catalog#: _____
 Location: _____

PERFORMANCE DATA

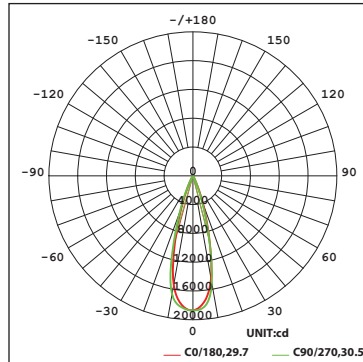
Polar Candela Distribution Charts

Samples shown with a 54W fixture with a White finish set to 3000K.

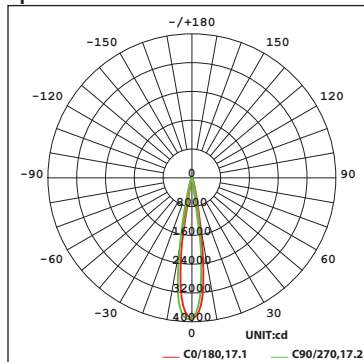
Very Narrow Beam: 8° Beam



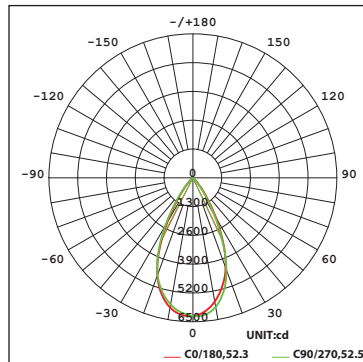
Medium Flood Beam: 36° Beam



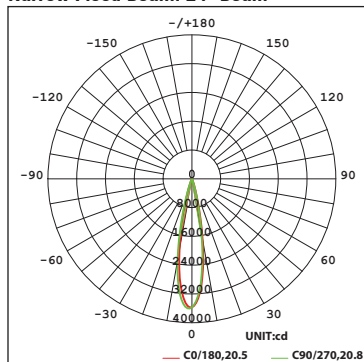
Spot Beam: 12° Beam



Wide Flood Beam: 50° Beam



Narrow Flood Beam: 24° Beam



Mere High Power COB

WTK-38 | WHK-38 | MO-N38 | MO-R38

Fixture Type: _____
 Project: _____
 Catalog#: _____
 Location: _____

PERFORMANCE DATA

Unified Glare Rating (UGR) Table

UGR values shown are calculated for a fixture with a Very Narrow Beam (8°) optic at 3000K and 90 CRI. General performance of other beam angles shown below.

| ceiling/cavity | 0.7 | 0.7 | 0.5 | 0.5 | 0.3 | 0.7 | 0.7 | 0.5 | 0.5 | 0.3 | |
|-----------------|------------------|-----|-----|-----|-----|----------------|-----|-----|-----|-----|-----|
| walls | 0.5 | 0.3 | 0.5 | 0.3 | 0.3 | 0.5 | 0.3 | 0.5 | 0.3 | 0.3 | |
| working plane | 0.2 | 0.2 | 0.2 | 0.2 | 0.2 | 0.2 | 0.2 | 0.2 | 0.2 | 0.2 | |
| Room dimensions | Viewed crosswise | | | | | Viewed endwise | | | | | |
| x = 2H y = 2H | 5.9 | 6.4 | 6.1 | 6.5 | 6.6 | 5.8 | 6.3 | 6.0 | 6.4 | 6.5 | |
| 3H | 5.7 | 6.2 | 6.0 | 6.4 | 6.6 | 5.7 | 6.1 | 5.9 | 6.3 | 6.5 | |
| 4H | 5.7 | 6.1 | 5.9 | 6.3 | 6.5 | 5.6 | 6.0 | 5.8 | 6.2 | 6.4 | |
| 6H | 5.6 | 6.0 | 5.9 | 6.3 | 6.5 | 5.5 | 5.9 | 5.8 | 6.2 | 6.4 | |
| 8H | 5.6 | 6.0 | 5.8 | 6.2 | 6.5 | 5.5 | 5.9 | 5.8 | 6.1 | 6.4 | |
| 12H | 5.5 | 5.9 | 5.8 | 6.2 | 6.4 | 5.4 | 5.8 | 5.7 | 6.1 | 6.4 | |
| 4H | 2H | 5.7 | 6.1 | 5.9 | 6.3 | 6.5 | 5.6 | 6.0 | 5.8 | 6.2 | 6.4 |
| 3H | 5.5 | 5.9 | 5.8 | 6.2 | 6.4 | 5.4 | 5.8 | 5.7 | 6.1 | 6.4 | |
| 4H | 5.4 | 5.8 | 5.8 | 6.1 | 6.4 | 5.4 | 5.7 | 5.7 | 6.0 | 6.3 | |
| 6H | 5.3 | 5.7 | 5.7 | 6.0 | 6.3 | 5.3 | 5.6 | 5.6 | 5.9 | 6.3 | |
| 8H | 5.3 | 5.6 | 5.7 | 6.0 | 6.3 | 5.2 | 5.5 | 5.6 | 5.9 | 6.2 | |
| 12H | 5.3 | 5.5 | 5.7 | 5.9 | 6.3 | 5.2 | 5.5 | 5.6 | 5.8 | 6.2 | |
| 8H | 4H | 5.3 | 5.6 | 5.7 | 5.9 | 6.3 | 5.2 | 5.5 | 5.6 | 5.9 | 6.2 |
| 6H | 5.2 | 5.4 | 5.6 | 5.8 | 6.2 | 5.1 | 5.4 | 5.5 | 5.8 | 6.2 | |
| 8H | 5.1 | 5.4 | 5.6 | 5.8 | 6.2 | 5.1 | 5.3 | 5.5 | 5.7 | 6.1 | |
| 12H | 5.1 | 5.3 | 5.6 | 5.7 | 6.2 | 5.0 | 5.2 | 5.5 | 5.7 | 6.1 | |
| 12H | 4H | 5.2 | 5.5 | 5.6 | 5.9 | 6.3 | 5.1 | 5.4 | 5.5 | 5.8 | 6.2 |
| 6H | 5.1 | 5.4 | 5.6 | 5.8 | 6.2 | 5.0 | 5.3 | 5.5 | 5.7 | 6.1 | |
| 8H | 5.1 | 5.3 | 5.5 | 5.7 | 6.2 | 5.0 | 5.2 | 5.5 | 5.6 | 6.1 | |

| Round Fixture | Angle | UGR Range |
|---------------|-------|-----------|
| Very Narrow | 8° | ≤7 |
| Spot | 12° | ≤13 |
| Narrow Flood | 24° | ≤7 |
| Medium Flood | 36° | ≤10 |
| Wide Flood | 50° | ≤21 |

Lumens and CBCP Multiplier Table

Use the below table to determine lumens and CBCP values for the combinations of power, color temperature, and CRI values.

| Color Temperature | | | |
|-------------------|-------|-------|-------|
| 2700K | 3000K | 3500K | 4000K |
| 0.93 | 1.00 | 1.07 | 1.14 |

Mere
High Power COB

WTK-38 | WHK-38 | MO-N38 | MO-R38

Fixture Type: _____
Project: _____
Catalog#: _____
Location: _____

DIMENSIONAL DIAGRAMS



Mere
High Power COB

WTK-38 | WHK-38 | MO-N38 | MO-R38

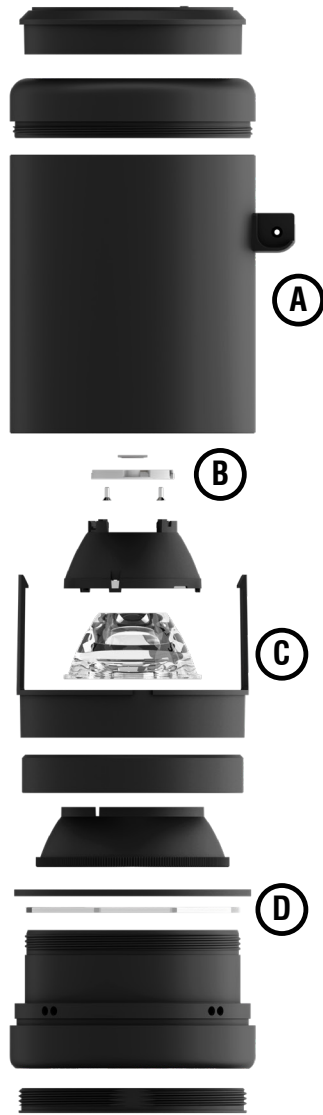
Fixture Type: _____

Project: _____

Catalog#: _____

Location: _____

EXPLODED VIEW DIAGRAM



| Exploded View | |
|---------------|---------------------|
| A | Fixture Body |
| B | LED Module |
| C | Reflector |
| D | Lens |

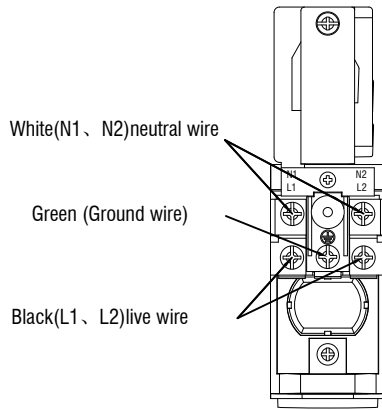
Mere High Power COB

WTK-38 | WHK-38 | MO-N38 | MO-R38

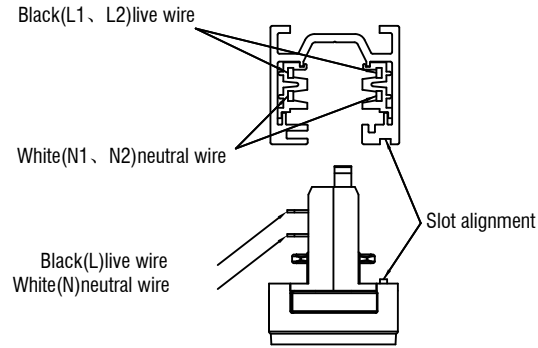
Fixture Type: _____
 Project: _____
 Catalog#: _____
 Location: _____

WIRING DIAGRAM

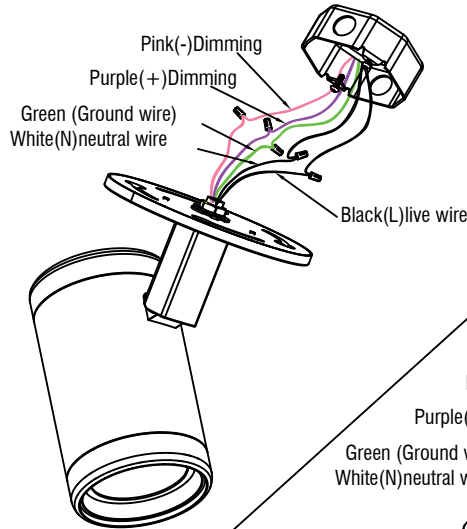
Schematic diagram of track inlet power connection.



Reference diagram for track and track connector circuit.



REMODEL



NEW CONSTRUCTION

