

Volta

Static White - 4.5" Trimless New Construction Housings

R4RNL | R4SNL | R4RCL | R4SCL

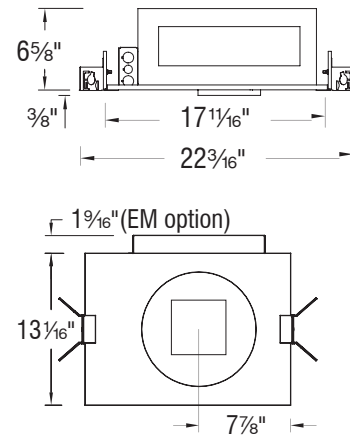
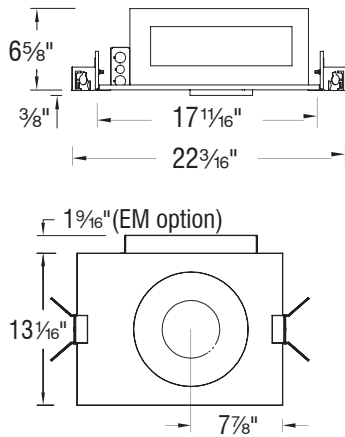
Fixture Type: _____
 Project: _____
 Catalog#: _____
 Location: _____



LINE DRAWING

Round

Square



PRODUCT DESCRIPTION

Volta LED downlight series represents an innovation in design and technology for architectural lighting. This high lumen and adaptable family of fixtures with a comprehensive set of round and square fittings, affords a sustainable solution for commercial, corporate, and upscale residential applications.

SPECIFICATIONS

- Mounting:** Universal mounting brackets and hanger bars
 Ceiling cut out (Round): Trim \varnothing 5 1/8" \bigcirc
 Ceiling cut out (Square): Trim 5 1/8" x 5 1/8" \square
 Accommodates 1/2" - 1 1/2" ceiling thickness
- Input:** Universal 120-277V AC, 50/60 Hz
- Dimming:** 0-10V: 100-0%
 Electronic Low Voltage (ELV): 100-5%
 Lutron Hi-Lume 1% Ecosystem Fade-to-Black option
- Emergency:** EM fixtures provided with integral Emergency battery back up with 24" lead wire remote test switch. Provides at least 90 minutes of 8W illumination during emergency operation
- Standards:** ETL & cETL, Chicago Plenum, IC-rated, Airtight (see list)
- Warranty:** 5 year WAC Lighting guaranteed warranty

Volta

Static White - 4.5" Trimless New Construction Housings

R4RNL | R4SNL | R4RCL | R4SCL

Fixture Type: _____
 Project: _____
 Catalog#: _____
 Location: _____

ORDERING INFORMATION

HOUSINGS (Required)									
	Model	Trim	Power	S	N,F,W	Rating	Driver	Emergency Backup	
New Construction Airtight	R4RN (Round) R4SN (Square)	L Trimless	15	10W	15W	IC	DEFAULT L1	ELV, 0-10V Lutron Hi-Lume 1%	EM
			25	15W	23W	IC			
			36	22W	34W	Non-IC			
New Construction Airtight Chicago Plenum	R4RC (Round) R4SC (Square)	L Trimless	15	10W	15W	IC	DEFAULT L1	ELV, 0-10V Lutron Hi-Lume 1%	EM
			25	15W	23W	IC			
			36	22W	34W	Non-IC			

Field Replaceable Driver (New Construction Only)	
D-R4N-15	Driver for 15W
D-R4N-25	Driver for 23W
D-R4N-36	Driver for 34W

INSTALLATION

Trim Model	Trim Description	Ceiling Thickness		
		1/2"	1"	1 1/2"
R4RD2L R4SD2L	Downlight	Yes	Yes	Yes
R4RD1L R4SD1L	Shallow Regressed Downlight	Yes	Yes	Yes
R4RAL R4SAL	Adjustable	Yes, to 45°	Yes, to 45°	Yes, to 35°
R4RWL R4SWL	Wall Wash	Yes	Yes	No