

Volta

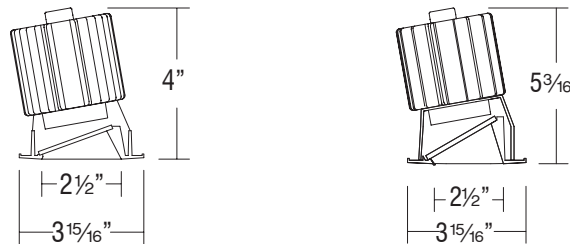
Static White - 2" Wall Wash

R2RWT | R2SWT

Fixture Type: _____
 Project: _____
 Catalog#: _____
 Location: _____



LINE DRAWING



PRODUCT DESCRIPTION

Volta LED downlight series represents an innovation in design and technology for architectural lighting. This high lumen and adaptable family of fixtures with a comprehensive set of round and square fittings, affords a sustainable solution for commercial, corporate, and upscale residential applications. Wall Wash Volta fixtures are equipped with an innovative bidirectional spread lens.

SPECIFICATIONS

Construction: Durable die-cast self flanged aluminum construction

Mounting: Heavy gauge retention clips support trim firmly
 Ceiling cut out (Round): Trim \varnothing 3 ⁹/₁₆"
 Trimless \varnothing 4 ¹/₄"
 Ceiling cut out (Square): Trim 3 ⁹/₁₆" x 3 ⁹/₁₆"
 Trimless 4 ¹/₄" x 4 ¹/₄"
 Accommodates 1/2" - 1" ceiling thickness

Light Source: High output 3-step Mac Adam Ellipse COB
 Rated life of 50,000 hours at L70

Input: Universal 120-277V AC, 50/60 Hz

Dimming: 0-10V: 100-0%
 Electronic Low Voltage (ELV): 100-5%
 Lutron Hi-Lume 1% Ecosystem Fade-to-Black option

Maximum Delivered Intensity: Up to 717 cd (Round Asymmetric, 4000K, CRI 85)

Maximum Delivered Output: Up to 1,091 lm (Round Asymmetric, 4000K, CRI 85)

Standards: ETL & cETL Wet location listed

Warranty: 5 year WAC Lighting guaranteed warranty

BEAM ANGLES



FINISHES



Model	Beam	Lumens Ref Output*	CBCP	Color Temp	CRI
R2RWT R2SWT	Round Square	A Asym	Round Square	827 - 2700K	85
				830 - 3000K	85
				835 - 3500K	85
				840 - 4000K	85
				927 - 2700K	90
				930 - 3000K	90

Lumens and CBCP are reference values for 3000K Color Temperature and 85 CRI with 22 housing. Refer to Multiplier Table in Performance Data to determine other outputs.

wacarchitectural.com | WAC Architectural, a WAC Group brand.

WAC Group Headquarters
 44 Harbor Park Drive
 Port Washington, NY 11050

WAC Architectural
 Phone (800) 526.2588
 Fax (800) 526.2585

WAC Group retains the right to modify the design of our products at any time as part of the company's continuous improvement program.



APR 2026 | P. 1 of 8

WAC GROUP

Volta

Static White - 2" Wall Wash

R2RWT | R2SWT

Fixture Type: _____

Project: _____

Catalog#: _____

Location: _____

ORDERING INFORMATION

CONFIGURATION TABLE				
Model & Power	Beam	Color Temperature & CRI	Reflector Finish	Trim Finish
R2RWT R2SWT	A - Asym	827 - 2700K - 85	BK - BLACK CB - COPPER HZ - HAZE WT - WHITE	WT - WHITE
		830 - 3000K - 85		
		835 - 3500K - 85		
		840 - 4000K - 85		
		927 - 2700K - 90		
		930 - 3000K - 90		

R2RWT-____-__ Example: R2RWT-N840-WT

HOUSINGS (Required)										
Model	Trim	Power	S	N,F,W	Rating	Driver	Emergency Backup			
New Construction Airtight	R2RN (Round)	T <i>Trim</i>	15	<i>10W</i>	<i>15W</i>	<i>IC</i>	DEFAULT	<i>ELV, 0-10V</i>		EM <i>Optional</i>
	R2SN (Square)	L <i>Trimless</i>	22	<i>15W</i>	<i>22W</i>	<i>IC</i>	L1	<i>Lutron Hi-Lume 1%</i>		
New Construction Airtight Chicago Plenum	R2RC (Round)	T <i>Trim</i>	15	<i>10W</i>	<i>15W</i>	<i>IC</i>	DEFAULT	<i>ELV, 0-10V</i>		EM <i>Optional</i>
	R2SC (Square)	L <i>Trimless</i>	22	<i>15W</i>	<i>22W</i>	<i>IC</i>	L1	<i>Lutron Hi-Lume 1%</i>		
Remodel Round or Square	R2BR	T <i>Trim</i>	15	<i>10W</i>	<i>15W</i>	<i>Non-IC</i>	DEFAULT	<i>ELV, 0-10V</i>		N/A
			22	<i>15W</i>	<i>22W</i>	<i>Non-IC</i>				
Remodel	R2RR (Round) R2SR (Square)	L <i>Trimless</i>	15	<i>15W</i>	<i>15W</i>	<i>Non-IC</i>	DEFAULT	<i>ELV, 0-10V</i>		N/A
			22	<i>22W</i>	<i>22W</i>	<i>Non-IC</i>				

CEILING ADAPTERS

R2R-ADP1 *Round - ½" to 1" ceiling thickness*

R2S-ADP1 *Square - ½" to 1" ceiling thickness*

ORDERING NOTES

- The "White" trim finish is only available with the reflector finishes "Black" and "Haze".
- The "A - Asym" beam angle is available in 15W and 22W.

Volta

Static White - 2" Wall Wash

R2RWT | R2SWT

Fixture Type: _____

Project: _____

Catalog#: _____

Location: _____

FEATURES

<p>Optics:</p> <ul style="list-style-type: none"> • 2" lens regress for superior glare control • Field selectable light engine height for cut-off angle adjustment (30°-34°) and accessory use 	<p>Construction:</p> <ul style="list-style-type: none"> • Durable die-cast self flanged aluminum construction • Heavy gauge retention clips support trim firmly
<p>LED:</p> <ul style="list-style-type: none"> • High output COB LED with a 3-step Mac Adam ellipse • Rated operational life of 50,000 hours at L70 (LED maintains 70% of its initial delivered lumens when brand new for 50,000 hours of use.) 	<p>Trim and Reflector:</p> <ul style="list-style-type: none"> • Integral patterned tempered trim lens included standard with every fixture • Dual finished fixtures are a single piece with no physical seams
<p>Electrical:</p> <ul style="list-style-type: none"> • Volta is compatible with 120-277 VAC, 50/60 Hz • Housings are available in 10W and 15W if using a Spot Beam. If using a Narrow, Flood, or Wide beam, the housings are available in 15W and 22W. 	<p>Installation:</p> <ul style="list-style-type: none"> • Requires housing for installation • New Construction housings for Volta 2" Static White are IC rated. • Remodel housings for Volta 2" Static White are non-IC rated.
<p>Dimming:</p> <ul style="list-style-type: none"> • Electronic Low Voltage (ELV) dimming is capable of a 100 - 5% range • 0-10V dimming is capable of a 100 - 0% range • The Lutron Hi-Lume 1% Ecosystem Fade-to-Black option is available 	<p>Warranty:</p> <ul style="list-style-type: none"> • WAC Architectural limited warranty up to 5 years • Full warranty found at: waclighting.com/warranty
<p>Notes:</p> <ul style="list-style-type: none"> • Trim and trimless fixtures of the same shape (Round/Square) have the same performance. Minor variations occur due to fixture shape. • The White and Black finishes are powder coated while the Haze is enamel coated and the Copper Bronze is plated and brushed. • The Volta product family is compatible with a wide range of accessories. 	

Volta

Static White - 2" Wall Wash

R2RWT | R2SWT

Fixture Type: _____

Project: _____

Catalog#: _____

Location: _____

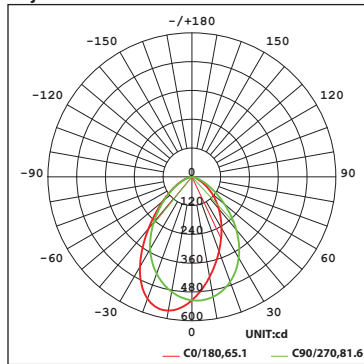
PERFORMANCE DATA

Polar Candela Distribution Charts

Samples shown with a 22W fixture set to 3000K and 90 CRI.

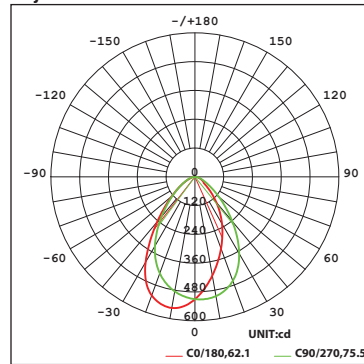
ROUND

Asymmetric Beam



SQUARE

Asymmetric Beam



Volta

Static White - 2" Wall Wash

R2RWT | R2SWT

Fixture Type: _____

Project: _____

Catalog#: _____

Location: _____

PERFORMANCE DATA

Unified Glare Rating (UGR) Table

UGR values shown are calculated for a Round Trim fixture with a 22W Asymmetric Beam (Asym) optic at 3000K and 90 CRI. General performance of other beam angles shown below.

ceiling/cavity	0.7	0.7	0.5	0.5	0.3	0.7	0.7	0.5	0.5	0.3	
walls	0.5	0.3	0.5	0.3	0.3	0.5	0.3	0.5	0.3	0.3	
working plane	0.2	0.2	0.2	0.2	0.2	0.2	0.2	0.2	0.2	0.2	
Room dimensions	Viewed crosswise					Viewed endwise					
x = 2H y = 2H	19.5	20.8	19.7	20.9	21.1	19.3	20.6	19.6	20.8	21.0	
3H	19.9	21.1	20.2	21.3	21.6	19.7	20.9	20.0	21.1	21.4	
4H	20.0	21.1	20.3	21.4	21.6	19.8	20.9	20.1	21.1	21.4	
6H	20.0	21.1	20.3	21.3	21.6	19.8	20.8	20.1	21.1	21.3	
8H	20.0	21.0	20.3	21.2	21.5	19.7	20.7	20.1	21.0	21.3	
12H	19.9	20.9	20.3	21.2	21.5	19.7	20.7	20.0	20.9	21.2	
4H	2H	19.7	20.8	20.0	21.0	21.3	19.6	20.7	19.9	20.9	21.1
3H	20.3	21.2	20.6	21.5	21.8	20.1	21.0	20.4	21.3	21.6	
4H	20.4	21.3	20.8	21.6	21.9	20.2	21.0	20.5	21.4	21.7	
6H	20.4	21.2	20.8	21.5	21.9	20.2	20.9	20.6	21.3	21.7	
8H	20.4	21.1	20.8	21.5	21.8	20.2	20.9	20.6	21.2	21.6	
12H	20.3	21.0	20.8	21.4	21.8	20.1	20.8	20.5	21.2	21.6	
8H	4H	20.4	21.1	20.8	21.5	21.8	20.2	20.9	20.6	21.2	21.6
6H	20.4	21.0	20.8	21.4	21.8	20.2	20.8	20.6	21.2	21.6	
8H	20.4	20.9	20.8	21.3	21.8	20.2	20.7	20.6	21.1	21.6	
12H	20.4	20.8	20.8	21.2	21.7	20.2	20.6	20.6	21.0	21.5	
12H	4H	20.3	21.0	20.8	21.4	21.8	20.1	20.8	20.5	21.1	21.5
6H	20.4	20.9	20.8	21.3	21.8	20.2	20.7	20.6	21.1	21.5	
8H	20.4	20.8	20.8	21.2	21.7	20.2	20.6	20.6	21.0	21.5	

Round Fixture	Angle	UGR Range
Asym	-	≤22

Square Fixture	Angle	UGR Range
Asym	-	≤22

Lumens and CBCP Multiplier Table

Use the below table to determine lumens and CBCP values for the combinations of power, color temperature, and CRI values.

Multiplier		TRIM					
		827	927	830	930	835	840
HOUSING	22	0.95	0.81	1.00	0.86	1.05	1.07
	15	0.66	0.56	0.69	0.59	0.72	0.74

Volta

Static White - 2" Wall Wash

R2RWT | R2SWT

Fixture Type: _____

Project: _____

Catalog#: _____

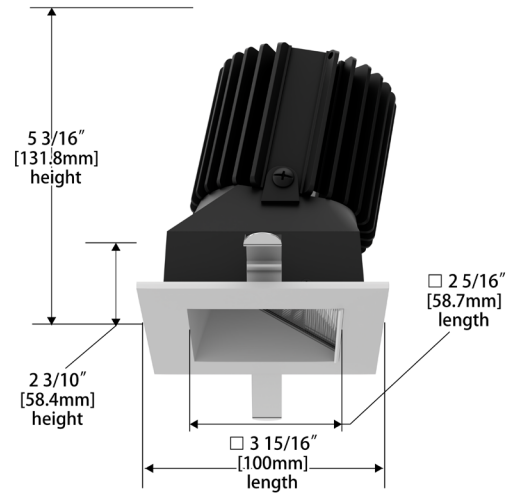
Location: _____

DIMENSIONAL DIAGRAMS

Round Trim (R2RWT)



Square Trim (R2SWT)



Volta

Static White - 2" Wall Wash

R2RWT | R2SWT

Fixture Type: _____

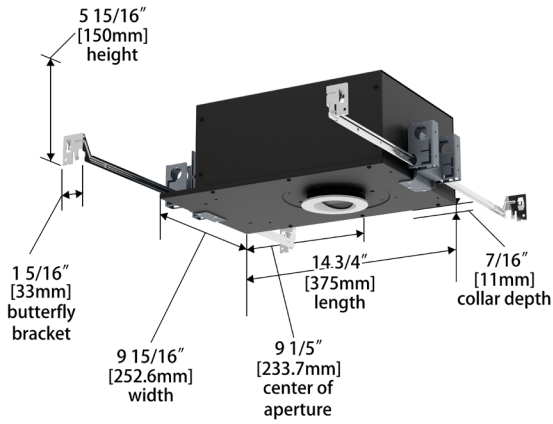
Project: _____

Catalog#: _____

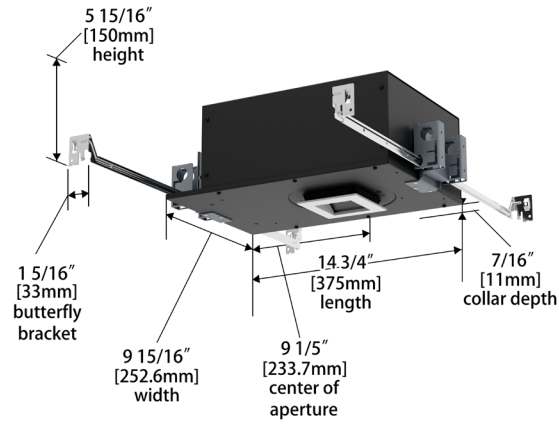
Location: _____

DIMENSIONAL DIAGRAMS

New Construction - Round Trim



New Construction - Square Trim



Volta

Static White - 2" Wall Wash

R2RWT | R2SWT

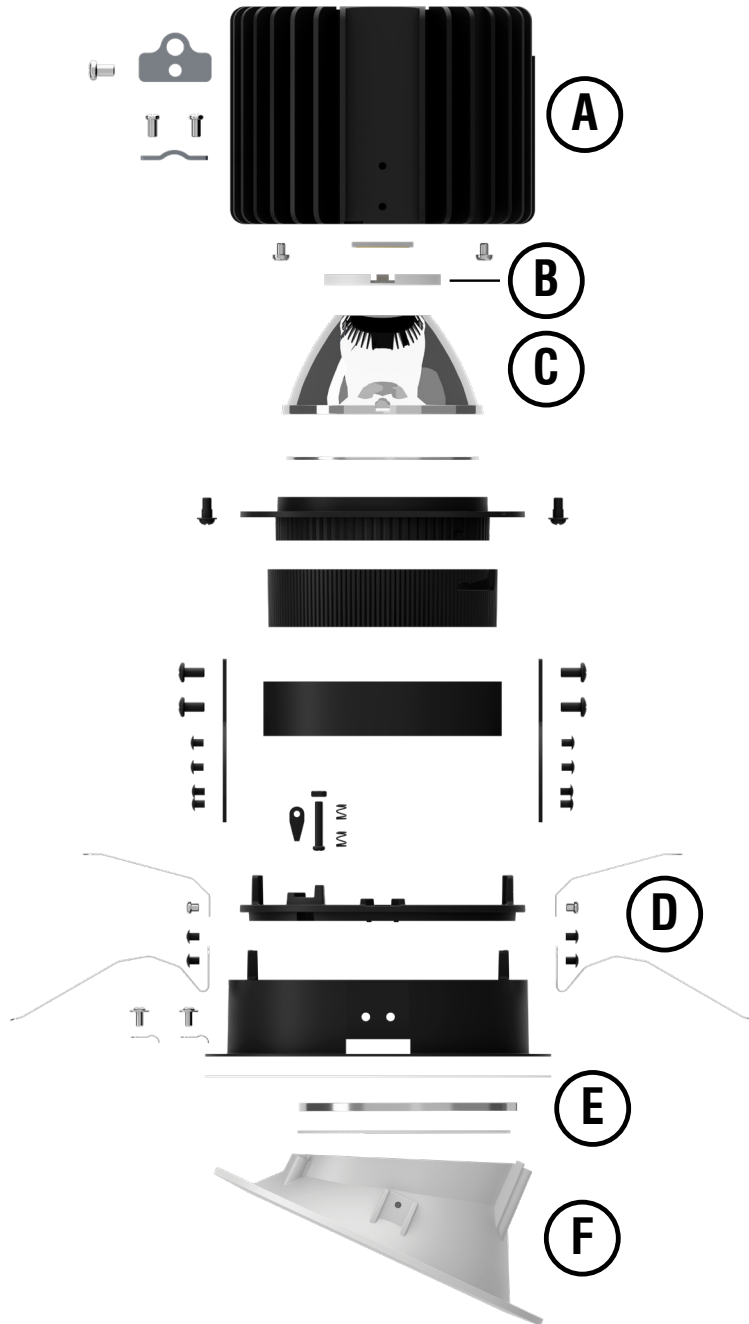
Fixture Type: _____

Project: _____

Catalog#: _____

Location: _____

EXPLODED VIEW DIAGRAM



Exploded View	
A	Heat Sink
B	LED
C	Reflector
D	Support Clips
E	Lens
F	Trim