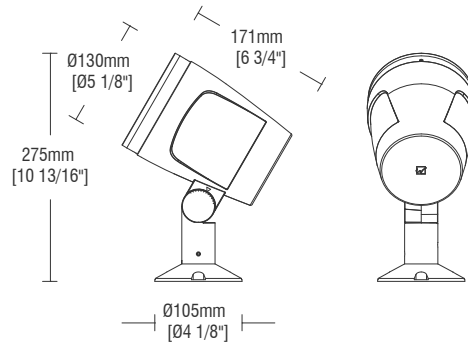


## Panther Static White PAL5 (29W)

Fixture Type: \_\_\_\_\_  
 Project: \_\_\_\_\_  
 Catalog#: \_\_\_\_\_  
 Location: \_\_\_\_\_



### LINE DRAWING



### PRODUCT DESCRIPTION

Utilizing the latest LED technology, the PANTHER series of luminaire features a low-profile design and high optical performance, available in a variety of sizes. The series supports vertical or horizontal mounting with precise adjustments in the direction of rotation. Recommended for architectural façade lighting or landscape spotlighting.

### SPECIFICATIONS

<b>Construction:</b>	Durable die-cast aluminum construction
<b>Mounting:</b>	Outdoor installation
<b>Light Source:</b>	High output 3-step Mac Adam Ellipse Rated life of 50,000 hours at L70
<b>Input:</b>	Universal 120-277V AC, 50/60 Hz
<b>Power:</b>	29W
<b>Controls:</b>	0-10V, DMX512-A with RDM
<b>Maximum Delivered Intensity:</b>	Up to 78,403 cd (Ultra Narrow 6°, 4000K)
<b>Maximum Delivered Output:</b>	Up to 1,846 lm (Ultra Narrow 6°, 4000K)
<b>Operating Temperature:</b>	-4°F to 122°F (-20°C to 50°C)
<b>Standards:</b>	ETL & cETL Wet location listed
<b>Warranty:</b>	5 year WAC Lighting guaranteed warranty

### BEAM ANGLES



### FINISHES



Model	Beam	Lumens Ref Output*	CBCP	Efficacy (lm/W)	Color Temp
PAL5 Ø130mm Ø5.1"	U 6°	1,725	73,274	51	927-2700K
	S 13°	1,364	12,654	40	
	N 22°	1,428	7,047	42	930-3000K
	M 34°	1,701	4,139	50	935-3500K
	W 50°	1,395	2,005	41	940-4000K

\*Lumens and CBCP are reference values for 3000K Color Temperature. Refer to Multiplier Table in Performance Data to determine other outputs.

## Panther Static White PAL5 (29W)

Fixture Type: \_\_\_\_\_  
 Project: \_\_\_\_\_  
 Catalog#: \_\_\_\_\_  
 Location: \_\_\_\_\_

### ORDERING INFORMATION

CONFIGURATION TABLE				
Model & Power	Dimming	Beam Angle	Color Temperature & CRI	Housing Finish
<b>PAL5 (29W)</b>	<b>L</b> - 0-10V <b>D</b> - DMX512-A	<b>U</b> - Ultra Narrow 6°	<b>927</b> - 2700K - 90	<b>BK</b> - BLACK
		<b>S</b> - Spot 13°	<b>930</b> - 3000K - 90	
		<b>N</b> - Narrow Flood 22°	<b>940</b> - 4000K - 90	
		<b>M</b> - Medium Flood 34°		
		<b>W</b> - Wide Flood 50°		

### PAL5-29\_ - \_\_\_\_-BK

Example: PAL5-29D-M930-BK

ACCESSORIES	
PAL5-SHR-BK	<i>Panther 5" Shroud - Black</i>
PAL5-SNOOT-BK	<i>Panther 5" Snoot - Black</i>
AL-TMS-BK	<i>Tree Mount Bracket - Small</i>
AL-TML-BK	<i>Tree Mount Bracket - Large</i>
AL-TRM-BK	<i>Tree Ring Mount</i>
M6000-STAKE	<i>Ground Stake</i>
AL-PM-BK	<i>Pole Mount Bracket</i>
AL-PS-3-BK	<i>3" Pole Sleeve</i>
AL-PCM-S-BK	<i>Pole Clamp - Single</i>
AL-PCM-AD-BK	<i>Pole Clamp Adjustable - Double</i>

Panther  
Static White  
PAL5 (29W)

Fixture Type: \_\_\_\_\_  
 Project: \_\_\_\_\_  
 Catalog#: \_\_\_\_\_  
 Location: \_\_\_\_\_

**FEATURES**

<p><b>Optics:</b></p> <ul style="list-style-type: none"> <li>• Armature capable of 330° horizontal rotation and 30-90° vertical aiming</li> </ul>	<p><b>Construction:</b></p> <ul style="list-style-type: none"> <li>• Die-cast aluminum fixture with driver enclosed in canopy</li> </ul>
<p><b>LED:</b></p> <ul style="list-style-type: none"> <li>• High output discrete LED with a 3-step Mac Adam ellipse</li> <li>• Rated operational life of 50,000 hours at L70 (LED maintains 70% of its initial delivered lumens when brand new for 50,000 hours of use.)</li> </ul>	<p><b>Trim and Reflector:</b></p> <ul style="list-style-type: none"> <li>• Four beam angles are available: Very Narrow, Spot, Medium Flood, and Flood</li> </ul>
<p><b>Electrical:</b></p> <ul style="list-style-type: none"> <li>• Input power is universal 120-277VAC, 50/60 Hz</li> <li>• Available in a 29W power level</li> </ul>	<p><b>Installation:</b></p> <ul style="list-style-type: none"> <li>• Suitable for outdoor installation with a rating of IP65</li> </ul>
<p><b>Dimming:</b></p> <ul style="list-style-type: none"> <li>• DMX512-A and 0-10V dimming are both available</li> </ul>	<p><b>Warranty:</b></p> <ul style="list-style-type: none"> <li>• WAC Architectural limited warranty up to 5 years</li> <li>• Full warranty found at: <a href="http://waclighting.com/warranty">waclighting.com/warranty</a></li> </ul>
<p><b>Notes:</b></p> <ul style="list-style-type: none"> <li>• The Black finish is electrostatically powder coated</li> </ul>	

Fixture Type: \_\_\_\_\_

Project: \_\_\_\_\_

Catalog#: \_\_\_\_\_

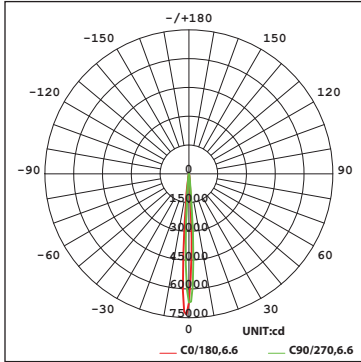
Location: \_\_\_\_\_

### PERFORMANCE DATA

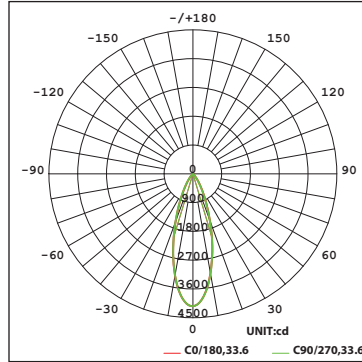
#### Polar Candela Distribution Charts

Samples shown from a fixture set to 3000K.

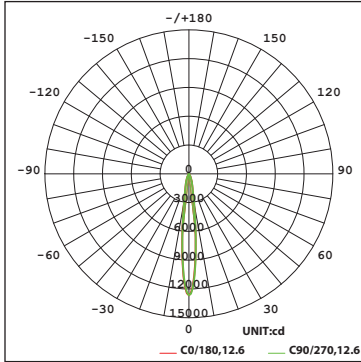
**U - Ultra Narrow 6°**



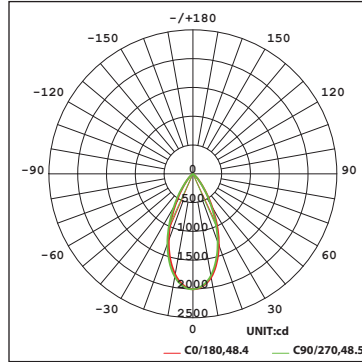
**M - Medium Flood Beam 34°**



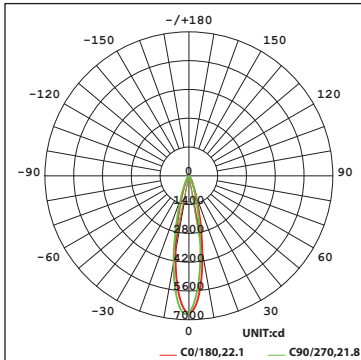
**S - Spot Beam 13°**



**W - Wide Flood 50°**



**N - Narrow Flood Beam 22°**



## Panther Static White PAL5 (29W)

Fixture Type: \_\_\_\_\_  
 Project: \_\_\_\_\_  
 Catalog#: \_\_\_\_\_  
 Location: \_\_\_\_\_

### PERFORMANCE DATA

#### Unified Glare Rating (UGR) Table

Samples shown from a fixture with an Ultra Narrow 6° beam set to 3000K. General performance of other beam angles shown below.

ceiling/cavity	0.7	0.7	0.5	0.5	0.3	0.7	0.7	0.5	0.5	0.3	
walls	0.5	0.3	0.5	0.3	0.3	0.5	0.3	0.5	0.3	0.3	
working plane	0.2	0.2	0.2	0.2	0.2	0.2	0.2	0.2	0.2	0.2	
Room dimensions	Viewed crosswise					Viewed endwise					
x = 2H y = 2H	5.4	5.9	5.6	6.0	6.2	4.2	4.7	4.4	4.8	4.9	
3H	5.3	5.8	5.5	5.9	6.1	4.0	4.5	4.3	4.7	4.9	
4H	5.2	5.7	5.5	5.9	6.1	4.0	4.4	4.2	4.6	4.8	
6H	5.2	5.6	5.4	5.8	6.0	3.9	4.3	4.2	4.6	4.8	
8H	5.1	5.5	5.4	5.8	6.0	3.9	4.3	4.1	4.5	4.8	
12H	5.1	5.5	5.4	5.7	6.0	3.8	4.2	4.1	4.5	4.7	
4H	2H	5.2	5.7	5.5	5.9	6.1	4.0	4.4	4.2	4.6	4.8
	3H	5.1	5.5	5.4	5.7	6.0	3.9	4.3	4.2	4.5	4.8
	4H	5.0	5.4	5.3	5.6	5.9	3.8	4.1	4.1	4.4	4.7
	6H	4.9	5.2	5.3	5.6	5.9	3.7	4.0	4.0	4.3	4.7
	8H	4.8	5.2	5.2	5.5	5.9	3.6	3.9	4.0	4.3	4.6
	12H	4.8	5.1	5.2	5.4	5.8	3.6	3.9	4.0	4.2	4.6
8H	4H	4.8	5.1	5.2	5.5	5.8	3.6	3.9	4.0	4.3	4.6
	6H	4.7	5.0	5.1	5.4	5.8	3.5	3.8	3.9	4.2	4.6
	8H	4.7	4.9	5.1	5.3	5.8	3.4	3.7	3.9	4.1	4.5
	12H	4.6	4.8	5.1	5.2	5.7	3.4	3.6	3.8	4.0	4.5
12H	4H	4.8	5.1	5.2	5.4	5.8	3.6	3.8	4.0	4.2	4.6
	6H	4.7	4.9	5.1	5.3	5.7	3.4	3.7	3.9	4.1	4.5
	8H	4.6	4.8	5.1	5.2	5.7	3.4	3.6	3.8	4.0	4.5

Fixture	Angle	UGR Range
Very Narrow	6°	≤6
Spot	13°	≤11
Narrow Flood	22°	≤11
Medium Flood	34°	≤16
Wide Flood	50°	≤18

#### Lumens and CBCP Multiplier Table

Use the below table to determine lumens and CBCP values for the combinations of power, color temperature, and CRI values.

Color Temperature				
2700K	3000K	3500K	4000K	5000K
0.96	1.00	1.04	1.07	1.12

Fixture Type: \_\_\_\_\_  
Project: \_\_\_\_\_  
Catalog#: \_\_\_\_\_  
Location: \_\_\_\_\_

**DIMENSIONAL DIAGRAMS**



## Panther Static White PAL5 (29W)

Fixture Type: \_\_\_\_\_  
 Project: \_\_\_\_\_  
 Catalog#: \_\_\_\_\_  
 Location: \_\_\_\_\_

### WIRING DIAGRAM

