



## Volta

### Static White - 4.5" Shallow Regressed Downlight

R4RD1T | R4RD1L | R4SD1T | R4SD1L

Fixture Type: \_\_\_\_\_  
 Project: \_\_\_\_\_  
 Catalog#: \_\_\_\_\_  
 Location: \_\_\_\_\_

### ORDERING INFORMATION

Model & Power	Beam	Color Temperature & CRI	Reflector Finish	Trim Finish
<b>R4RD1T</b>	<b>S:</b> Spot - 15°	<b>827</b> - 2700K - 85	<b>BK</b> - BLACK	<b>WT</b> - WHITE
<b>R4SD1T</b>	<b>N:</b> Narrow Flood - 25°	<b>830</b> - 3000K - 85	<b>CB</b> - COPPER	
<b>R4RD1L</b>	<b>F:</b> Flood - 45°	<b>835</b> - 3500K - 85	<b>HZ</b> - HAZE	
<b>R4SD1L</b>	<b>W:</b> Wide Flood - 60°	<b>840</b> - 4000K - 85	<b>WT</b> - WHITE	
		<b>927</b> - 2700K - 90		
		<b>930</b> - 3000K - 90		

**R4RD1T-\_\_\_-\_\_** Example: R4RD1T-N840-WT

HOUSINGS (Required)										
Model	Trim	Power	S	N,F,W	Rating	Driver		Emergency Backup		
New Construction IC Airtight	<b>R4RN</b> (Round) <b>R4SN</b> (Square)	<b>T</b> Trim <b>L</b> Trimless	<b>15</b>	10W	15W	IC	<b>DEFAULT</b>	ELV, 0-10V	<b>L1</b>	Lutron Hi-Lume 1%
			<b>25</b>	15W	23W	IC				
			<b>36</b>	22W	34W	Non-IC				
New Construction IC Airtight Chicago Plenum	<b>R4RC</b> (Round) <b>R4SC</b> (Square)	<b>T</b> Trim <b>L</b> Trimless	<b>15</b>	10W	15W	IC	<b>DEFAULT</b>	ELV, 0-10V	<b>L1</b>	Lutron Hi-Lume 1%
			<b>25</b>	15W	23W	IC				
			<b>36</b>	22W	34W	Non-IC				
Remodel Non-IC Round or Square	<b>R4BR</b>	<b>T</b> Trim	<b>15</b>	10W	15W	Non-IC	<b>DEFAULT</b>	ELV, 0-10V		N/A
			<b>25</b>	15W	23W	Non-IC				
			<b>36</b>	22W	34W	Non-IC				
Remodel Non-IC	<b>R4RR</b> (Round) <b>R4SR</b> (Square)	<b>L</b> Trimless	<b>15</b>	10W	15W	Non-IC	<b>DEFAULT</b>	ELV, 0-10V		N/A
			<b>25</b>	15W	23W	Non-IC				
			<b>36</b>	22W	34W	Non-IC				

ACCESSORIES			
LENS-73-HLD	Accessory Holder	LENS-73-GRN	Green Lens
LENS-73-HCM	Honeycomb Louver	LENS-73-RED	Red Lens
LENS-73-CRL	Cross Louver	LENS-73-FR	Frosted Lens
LENS-73-SNOOT	Snoot	LENS-73-SPR	Spread Lens
LENS-73-AMB	Amber Lens	LENS-73-BEL	Beam Elongating Lens
LENS-73-BLU	Blue Lens		

FIELD REPLACEABLE DRIVER	
D-R4N-15	Driver for 15W New Construction Housing
D-R4N-25	Driver for 23W New Construction Housing
D-R4N-36	Driver for 34W New Construction Housing

INTERCHANGEABLE REFLECTORS	
REF-R4-N	Narrow Flood Beam
REF-R4-F	Flood Beam
REF-R4-W	Wide Beam

ORDERING NOTES
1. The "White" trim finish is only available with the reflector finishes "Black" and "Haze".
2. Trimless fixtures cannot be ordered with a trim finish.
3. The "Spot - 15°" beam angle is available in 10W, 15W, and 22W.
4. The "Narrow Flood - 25°", "Flood - 45°", "Wide Flood - 60°" beam angles are available in 15W, 23W, and 34W.

wacarchitectural.com | WAC Architectural, a WAC Group brand.

WAC Group Headquarters  
 44 Harbor Park Drive  
 Port Washington, NY 11050

WAC Architectural  
 Phone (800) 526.2588  
 Fax (800) 526.2585

APR 2026 | P. 2 of 9

WAC GROUP

WAC Group retains the right to modify the design of our products at any time as part of the company's continuous improvement program.

# Volta

## Static White - 4.5" Shallow Regressed Downlight

R4RD1T | R4RD1L | R4SD1T | R4SD1L

Fixture Type: \_\_\_\_\_

Project: \_\_\_\_\_

Catalog#: \_\_\_\_\_

Location: \_\_\_\_\_

### FEATURES

<p><b>Optics:</b></p> <ul style="list-style-type: none"> <li>• 2" lens regress for superior glare control</li> <li>• Field selectable light engine height for cut-off angle adjustment (30°-34°) and accessory use</li> </ul>	<p><b>Construction:</b></p> <ul style="list-style-type: none"> <li>• Durable die-cast self flanged aluminum construction</li> <li>• Heavy gauge retention clips support trim firmly</li> </ul>
<p><b>LED:</b></p> <ul style="list-style-type: none"> <li>• High output COB LED with a 3-step Mac Adam ellipse</li> <li>• Rated operational life of 50,000 hours at L70 (LED maintains 70% of its initial delivered lumens when brand new for 50,000 hours of use.)</li> </ul>	<p><b>Trim and Reflector:</b></p> <ul style="list-style-type: none"> <li>• Integral patterned tempered trim lens included standard with every fixture</li> <li>• Dual finished fixtures are a single piece with no physical seams</li> </ul>
<p><b>Electrical:</b></p> <ul style="list-style-type: none"> <li>• Volta is compatible with 120-277 VAC, 50/60 Hz</li> <li>• Housings are available in 10W, 15W, and 23W if using a Spot Beam. If using a Narrow, Flood, or Wide beam, the housings are available in 15W, 23W, and 34W.</li> </ul>	<p><b>Installation:</b></p> <ul style="list-style-type: none"> <li>• Requires housing for installation</li> <li>• New Construction housings for these fixtures are IC rated based on power level. The 36 power level (44W) is non-IC rated</li> <li>• All Remodel housings are non-IC rated</li> </ul>
<p><b>Dimming:</b></p> <ul style="list-style-type: none"> <li>• Electronic Low Voltage (ELV) dimming is capable of a 100 - 5% range</li> <li>• 0-10V dimming is capable of a 100 - 0% range</li> <li>• The Lutron Hi-Lume 1% Ecosystem Fade-to-Black option is available</li> </ul>	<p><b>Warranty:</b></p> <ul style="list-style-type: none"> <li>• WAC Architectural limited warranty up to 5 years</li> <li>• Full warranty found at: <a href="http://waclighting.com/warranty">waclighting.com/warranty</a></li> </ul>
<p><b>Notes:</b></p> <ul style="list-style-type: none"> <li>• Trim and trimless fixtures of the same shape (Round/Square) have the same performance. Minor variations occur due to fixture shape.</li> <li>• The White and Black finishes are powder coated while the Haze is enamel coated and the Copper Bronze is plated and brushed.</li> <li>• The Volta product family is compatible with a wide range of accessories.</li> </ul>	

## Volta

### Static White - 4.5" Shallow Regressed Downlight

R4RD1T | R4RD1L | R4SD1T | R4SD1L

Fixture Type: \_\_\_\_\_

Project: \_\_\_\_\_

Catalog#: \_\_\_\_\_

Location: \_\_\_\_\_

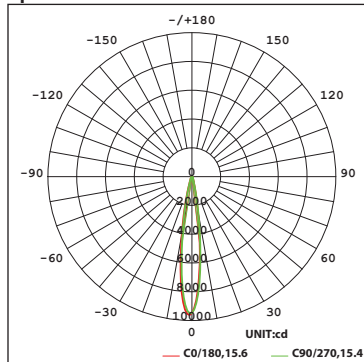
#### PERFORMANCE DATA

#### Polar Candela Distribution Charts

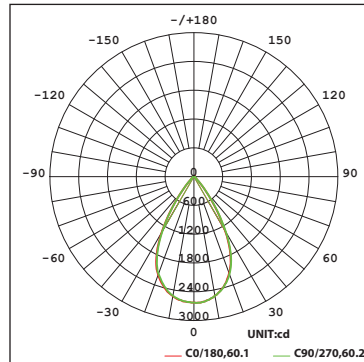
Samples shown with a 22W/34W (depending on beam angle) fixture set to 3000K and 90 CRI.

#### ROUND

Spot Beam: 15° Beam

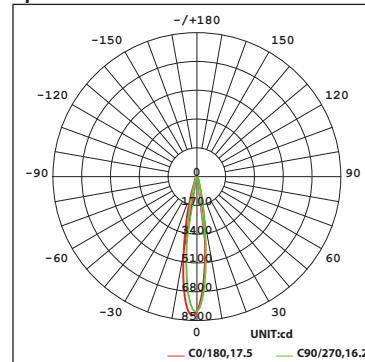


Wide Flood Beam: 60° Beam

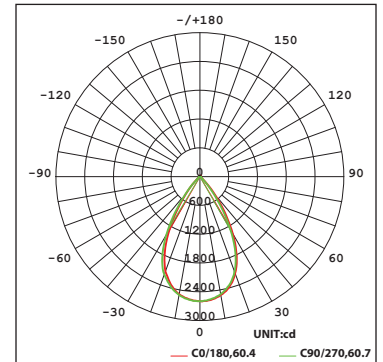


#### SQUARE

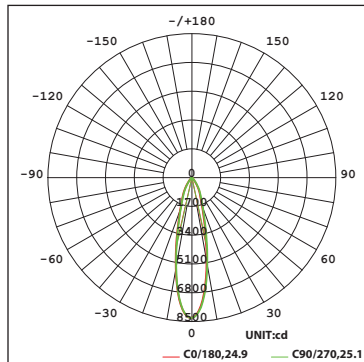
Spot Beam: 15° Beam



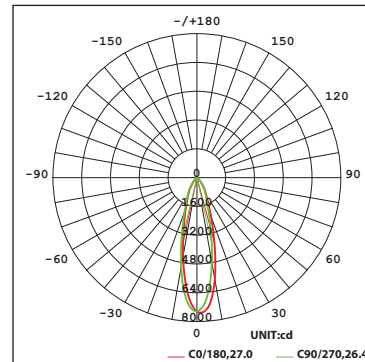
Wide Flood Beam: 60° Beam



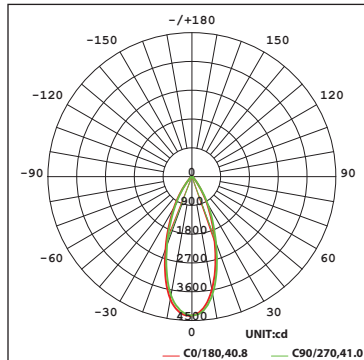
Narrow Flood Beam: 25° Beam



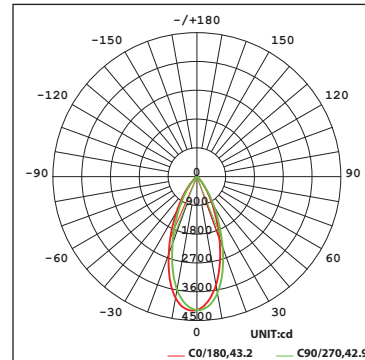
Narrow Flood Beam: 25° Beam



Flood Beam: 45° Beam



Flood Beam: 45° Beam



## Volta

### Static White - 4.5" Shallow Regressed Downlight

R4RD1T | R4RD1L | R4SD1T | R4SD1L

Fixture Type: \_\_\_\_\_

Project: \_\_\_\_\_

Catalog#: \_\_\_\_\_

Location: \_\_\_\_\_

### PERFORMANCE DATA

#### Unified Glare Rating (UGR) Table

UGR values shown are calculated for a Round Trim fixture with a 22W Spot Beam (15°) optic at 3000K and 90 CRI. General performance of other beam angles shown below.

ceiling/cavity	0.7	0.7	0.5	0.5	0.3	0.7	0.7	0.5	0.5	0.3	
walls	0.5	0.3	0.5	0.3	0.3	0.5	0.3	0.5	0.3	0.3	
working plane	0.2	0.2	0.2	0.2	0.2	0.2	0.2	0.2	0.2	0.2	
Room dimensions	Viewed crosswise					Viewed endwise					
<b>x = 2H y = 2H</b>	8.8	9.5	9.0	9.7	9.9	9.0	9.7	9.3	9.9	10.1	
3H	8.8	9.5	9.1	9.7	9.9	9.1	9.7	9.4	9.9	10.2	
4H	8.8	9.4	9.1	9.7	9.9	9.1	9.7	9.3	9.9	10.2	
6H	8.8	9.3	9.1	9.6	9.9	9.0	9.6	9.3	9.8	10.1	
8H	10.3	10.8	10.6	11.1	11.4	9.1	9.6	9.4	9.9	10.2	
12H	11.6	12.1	11.9	12.4	12.7	9.1	9.7	9.4	9.9	10.2	
<b>4H</b>	2H	8.7	9.4	9.0	9.6	9.8	8.9	9.6	9.2	9.8	10.0
3H	8.8	9.3	9.1	9.6	9.9	9.0	9.6	9.4	9.9	10.2	
4H	8.8	9.3	9.1	9.6	9.9	9.0	9.5	9.4	9.8	10.2	
6H	8.7	9.2	9.1	9.5	9.9	9.0	9.4	9.4	9.8	10.1	
8H	11.1	11.6	11.6	11.9	12.3	9.4	9.8	9.8	10.2	10.6	
12H	12.8	13.2	13.2	13.6	14.0	9.8	10.1	10.2	10.5	11.0	
<b>8H</b>	4H	8.7	9.1	9.1	9.5	9.9	8.9	9.3	9.3	9.7	10.1
6H	9.0	9.4	9.5	9.8	10.3	9.1	9.4	9.5	9.8	10.3	
8H	12.3	12.6	12.8	13.0	13.5	10.9	11.2	11.3	11.6	12.1	
12H	14.1	14.4	14.6	14.8	15.4	11.9	12.1	12.4	12.6	13.1	
<b>12H</b>	4H	8.7	9.0	9.1	9.4	9.9	8.9	9.3	9.3	9.7	10.1
6H	9.7	10.0	10.2	10.5	10.9	9.7	10.0	10.2	10.5	11.0	
8H	12.9	13.2	13.4	13.7	14.2	11.8	12.1	12.3	12.6	13.1	

Round Fixture	Angle	UGR Range
Spot	15°	≤15
Narrow Flood	25°	≤11
Flood	45°	≤12
Wide Flood	60°	≤14

Square Fixture	Angle	UGR Range
Spot	15°	≤17
Narrow Flood	25°	≤13
Flood	45°	≤12
Wide Flood	60°	≤15

#### Lumens and CBCP Multiplier Table

Use the below table to determine lumens and CBCP values for the combinations of power, color temperature, and CRI values.

Multiplier	HOUSING	TRIM					
		827	927	830	930	835	840
36		0.95	0.81	1.00	0.86	1.05	1.07
25		0.66	0.56	0.69	0.59	0.73	0.74
15		0.43	0.37	0.45	0.39	0.48	0.49

wacarchitectural.com | WAC Architectural, a WAC Group brand.

WAC Group Headquarters  
44 Harbor Park Drive  
Port Washington, NY 11050

WAC Architectural  
Phone (800) 526.2588  
Fax (800) 526.2585

APR 2026 | P. 5 of 9

WAC GROUP

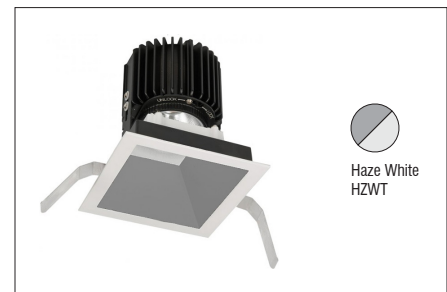
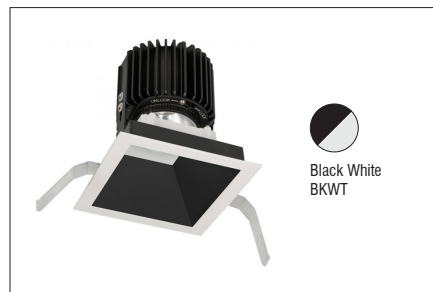
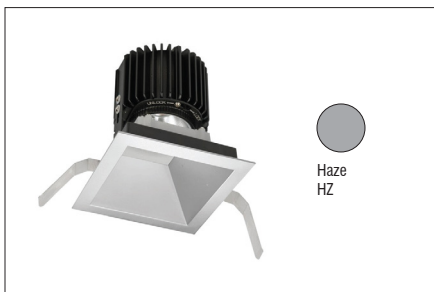
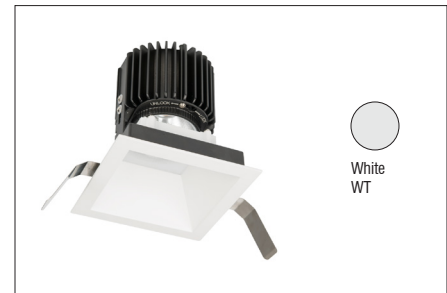
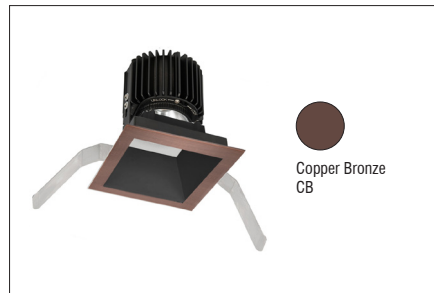
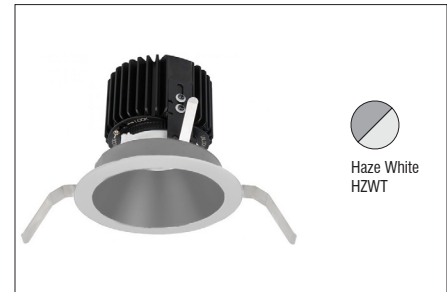
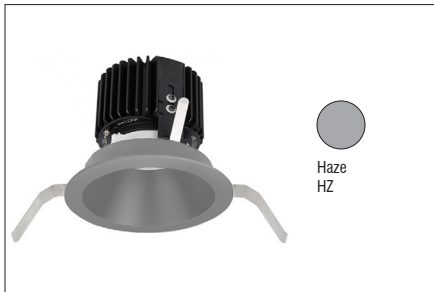
## Volta

### Static White - 4.5" Shallow Regressed Downlight

R4RD1T | R4RD1L | R4SD1T | R4SD1L

Fixture Type: \_\_\_\_\_  
Project: \_\_\_\_\_  
Catalog#: \_\_\_\_\_  
Location: \_\_\_\_\_

#### TRIM AND HOUSING COLOR OPTIONS



ROUND TRIM

SQUARE TRIM

# Volta

## Static White - 4.5" Shallow Regressed Downlight

R4RD1T | R4RD1L | R4SD1T | R4SD1L

Fixture Type: \_\_\_\_\_

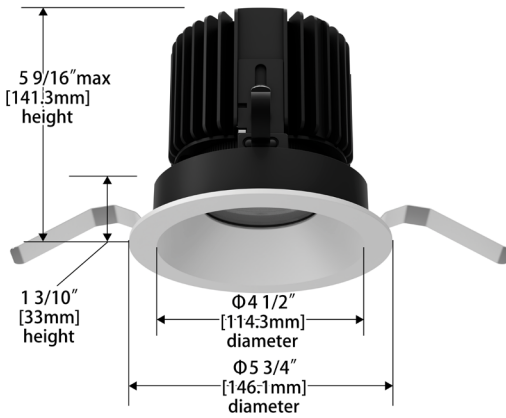
Project: \_\_\_\_\_

Catalog#: \_\_\_\_\_

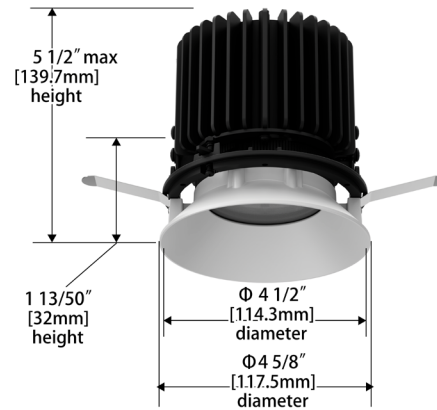
Location: \_\_\_\_\_

### DIMENSIONAL DIAGRAMS

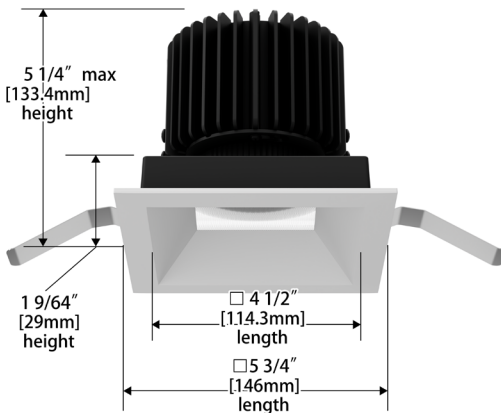
#### Round Trim (R4RD1T)



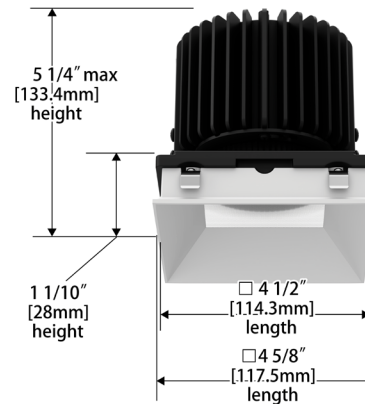
#### Round Trimless (R4RD1L)



#### Square Trim (R4SD1T)



#### Square Trimless (R4SD1L)



# Volta

## Static White - 4.5" Shallow Regressed Downlight

R4RD1T | R4RD1L | R4SD1T | R4SD1L

Fixture Type: \_\_\_\_\_

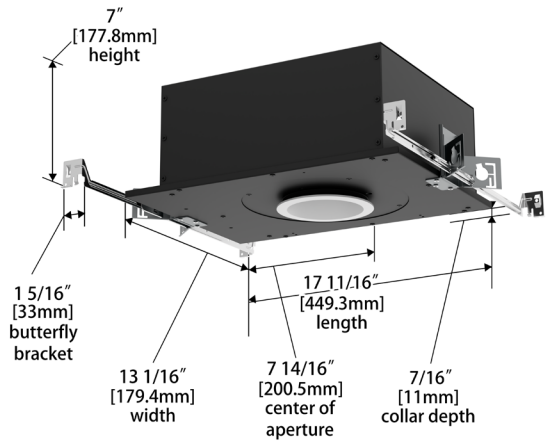
Project: \_\_\_\_\_

Catalog#: \_\_\_\_\_

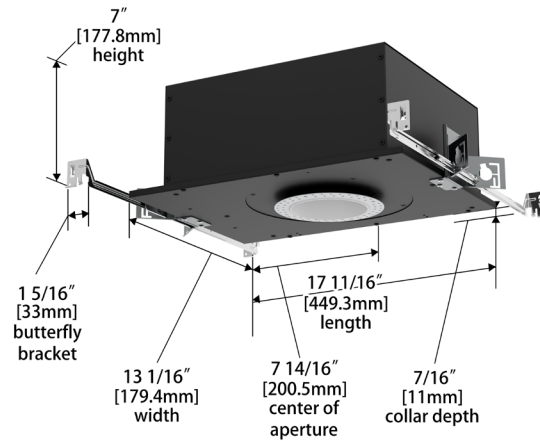
Location: \_\_\_\_\_

### DIMENSIONAL DIAGRAMS

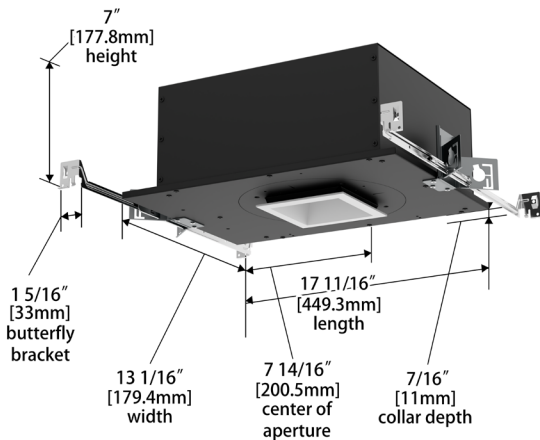
#### New Construction - Round Trim



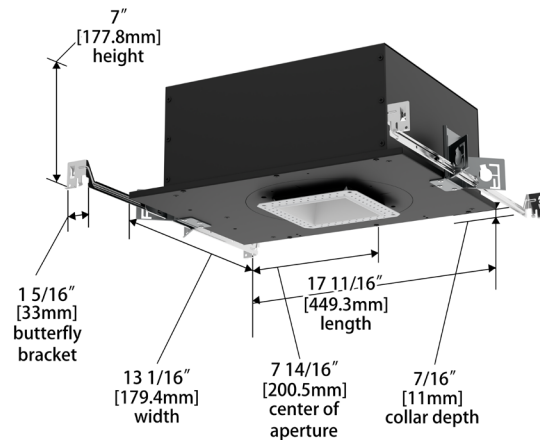
#### New Construction - Round Trimless



#### New Construction - Square Trim



#### New Construction - Square Trimless



Volta

Static White - 4.5" Shallow Regressed Downlight

R4RD1T | R4RD1L | R4SD1T | R4SD1L

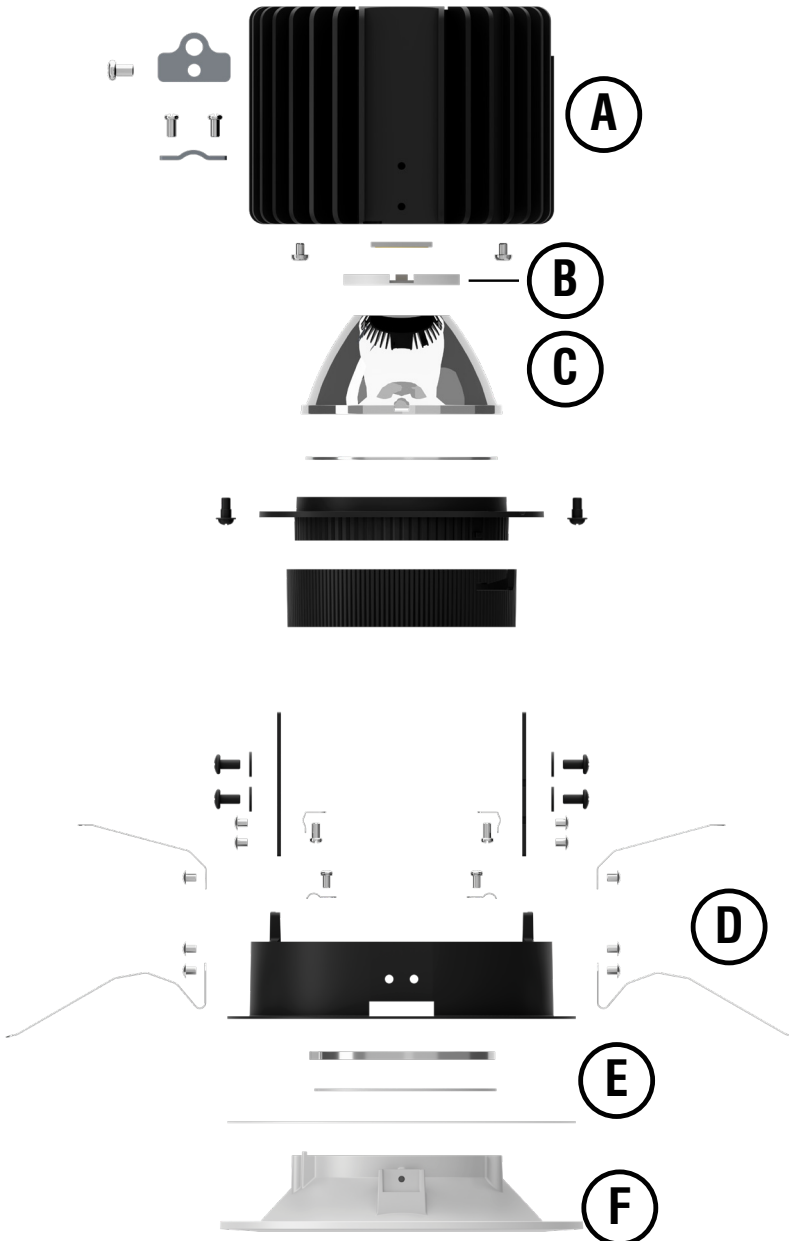
Fixture Type: \_\_\_\_\_

Project: \_\_\_\_\_

Catalog#: \_\_\_\_\_

Location: \_\_\_\_\_

**EXPLODED VIEW DIAGRAM**



Exploded View	
<b>A</b>	<b>Heat Sink</b>
<b>B</b>	<b>LED</b>
<b>C</b>	<b>Reflector</b>
<b>D</b>	<b>Support Clips</b>
<b>E</b>	<b>Lens</b>
<b>F</b>	<b>Trim</b>