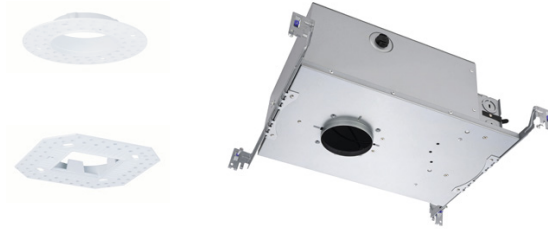


## FQ Tunable White

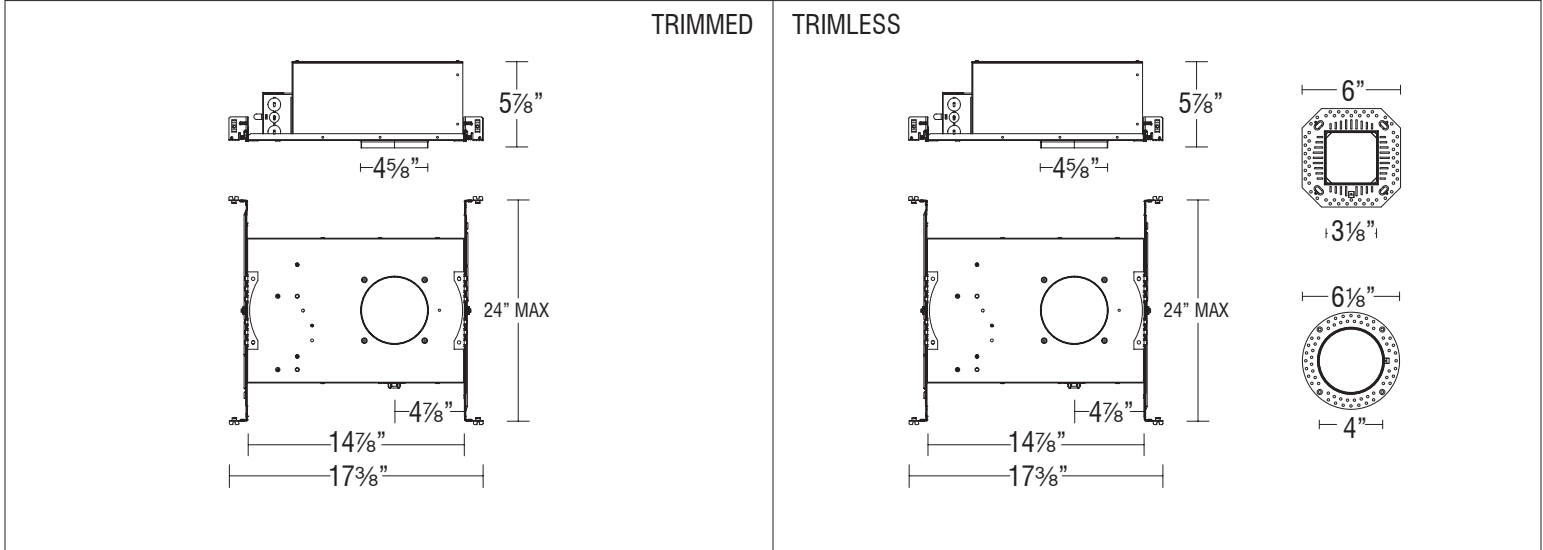
### 4" New Construction Housing

R4FBNT-TW | R4FRNL-TW | R4FSNL-TW

Fixture Type: \_\_\_\_\_  
 Project: \_\_\_\_\_  
 Catalog#: \_\_\_\_\_  
 Location: \_\_\_\_\_



#### LINE DRAWING



#### PRODUCT DESCRIPTION

FQ (Function + Quality) Experience simplicity and versatility with FQ 2" recessed luminaires. The fixtures merge modern design with world-class performance to achieve the ultimate in function and flexibility. Enjoy the benefits of two fixtures in one with Tunable White 1800-4000K and Dim-to-Warm 3000K-1800K features built into each luminaire, allowing you to customize the best light to illuminate dining areas, great rooms, primary bedrooms, kitchens, and baths on the fly. Deep regressed light sources deliver a glare-free, quiet ceiling aesthetic for a clean architectural look while providing a robust output from a diminutive source.

#### TRIM STYLES



Round: R



Square: S

#### SPECIFICATIONS

- Mounting:** Universal mounting brackets and hanger bars  
 Ceiling cut out (Round):  $\varnothing 4\frac{3}{4}"$   
 Ceiling cut out (Square):  $4\frac{3}{4}" \times 4\frac{3}{4}"$   
 Accommodates  $\frac{1}{2}" - 1\frac{1}{4}"$  ceiling thickness
- Input:** Universal 120-277V AC, 50/60 Hz
- Dimming:** 2 Channel 0-10V: 100-0.1%  
 2 Channel DMX512-A with RDM: 100-0.1%
- Standards:** ETL & cETL, Chicago Plenum, IC-rated, Airtight (see list)
- Warranty:** 5 year WAC Lighting guaranteed warranty

## FQ Tunable White

### 4" New Construction Housing

R4FBNT-TW | R4FRNL-TW | R4FSNL-TW

Fixture Type: \_\_\_\_\_

Project: \_\_\_\_\_

Catalog#: \_\_\_\_\_

Location: \_\_\_\_\_

### ORDERING INFORMATION

HOUSINGS					
	Model	Controls	Power		Rating
New Construction Trim - Airtight	<b>R4FBNT-TW</b> (Round & Square)	<b>X</b> <i>DMX512-A</i> <b>Z</b> <i>0-10V</i>	<b>1</b>	<i>14W</i>	<i>IC</i>
			<b>2</b>	<i>19W</i>	<i>IC</i>
			<b>3</b>	<i>26W</i>	<i>IC</i>
New Construction Trimless - Airtight	<b>R4FRNL-TW</b> (Round) <b>R4FSNL-TW</b> (Square) Spackle frame included	<b>X</b> <i>DMX512-A</i> <b>Z</b> <i>0-10V</i>	<b>1</b>	<i>14W</i>	<i>IC</i>
			<b>2</b>	<i>19W</i>	<i>IC</i>
			<b>3</b>	<i>26W</i>	<i>IC</i>

R4\_\_\_\_-TW\_\_

Example: R4FBNT-TWX-2

Housing Model	Power	Replacement Driver Model
R4FBNT-TW	<b>1</b> <i>14W</i>	<i>D-R4FN-TW-1</i>
R4FRNL-TW	<b>2</b> <i>19W</i>	<i>D-R4FN-TW-2</i>
R4FSNL-TW	<b>3</b> <i>26W</i>	<i>D-R4FN-TW-3</i>