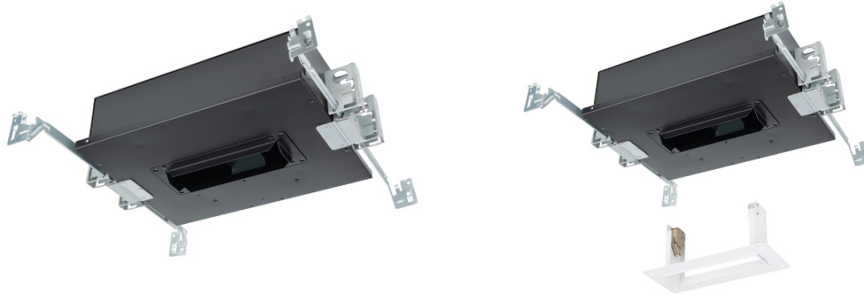


Multi Stealth New Construction Housing

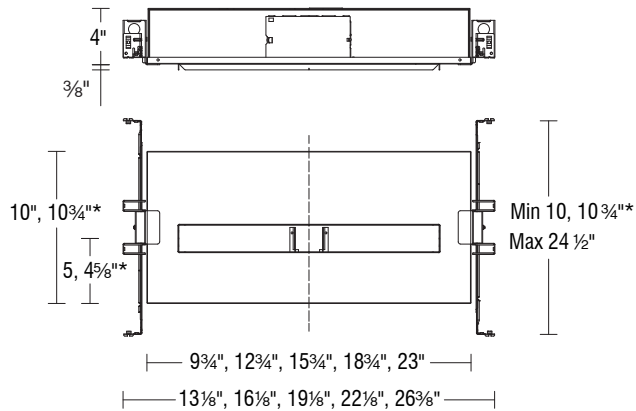
R1GNT | R1GNL

Fixture Type: _____
 Project: _____
 Catalog#: _____
 Location: _____



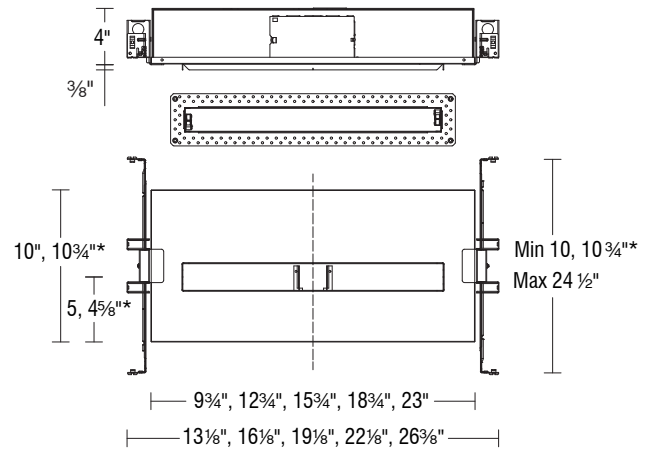
LINE DRAWING

TRIMMED (R1GNT)



* Dimensions Applicable to 12 Cell Housing ONLY

TRIMLESS (R1GNL)



* Dimensions Applicable to 12 Cell Housing ONLY

PRODUCT DESCRIPTION

Multi Stealth Recessed features a quiet aperture for a nearly glare-free environment. Its linear multi-cell form factor features a 1.5" aperture, with availability in up to 5 lengths. This series offers a downlight with 40° visual cutoff, an adjustable option with 35° bidirectional tilt, and a wall washer with specialized optics for even wall illumination. Trimmed and trimless options allow flexibility when integrating into building architecture.

Model	Size	Wattage	Rating
R1GNT R1GNL	02 2 Cell	8W	IC, Airtight
	04 4 Cell	14W	IC, Airtight
	06 6 Cell	20W	IC, Airtight
	08 8 Cell	27W	IC, Airtight
	12 12 Cell	38W	Non-IC, Airtight

SPECIFICATIONS

- Mounting:** Universal mounting brackets and hanger bars
Accommodates 1/2" - 1 1/2" ceiling thickness
- Construction:** 20 gauge galvanized sheet
- Input:** Universal 120-277V AC, 50/60 Hz
- Dimming:** ELV, TRIAC: 100 - 5%
0-10V: 100 - 1%
- Standards:** ETL & cETL, IC-rated, Airtight (see list)
- Warranty:** 5 year WAC Lighting guaranteed warranty

Multi Stealth

New Construction Housing

R1GNT | R1GNL

Fixture Type: _____

Project: _____

Catalog#: _____

Location: _____

ORDERING INFORMATION

HOUSINGS - Downlight and Wall Wash				
Model	Size		Wattage	Rating
New Construction Trim - Airtight R1GNT	02	2 Cell	8W	IC, Airtight
	04	4 Cell	14W	IC, Airtight
	06	6 Cell	20W	IC, Airtight
	08	8 Cell	27W	IC, Airtight
	12	12 Cell	38W	Non-IC, Airtight
New Construction Trimless - Airtight R1GNL	02	2 Cell	8W	IC, Airtight
	04	4 Cell	14W	IC, Airtight
	06	6 Cell	20W	IC, Airtight
	08	8 Cell	27W	IC, Airtight
	12	12 Cell	38W	Non-IC, Airtight

R1GN__

Example: R1GNT04

Multi Stealth
New Construction Housing
R1GNT | R1GNL

Fixture Type: _____
Project: _____
Catalog#: _____
Location: _____

PERFORMANCE DATA

HOUSING MODEL	HOUSING DESCRIPTION	TRIM MODEL	TRIM DESCRIPTION	CUTOUT DIMENSION
R1GNT02	2 CELL NC HOUSING (TRIM)	R1GDT02	2 CELL DOWNLIGHT (TRIM)	3 ¾" × 2 ¼"
R1GNL02	2 CELL NC HOUSING (TRIMLESS)	R1GDL02	2 CELL DOWNLIGHT (TRIMLESS)	
R1GNT04	4 CELL NC HOUSING (TRIM)	R1GDT04	4 CELL DOWNLIGHT (TRIM)	6 ¾" × 2 ¼"
		R1GWT04	4 CELL WALL WASH (TRIM)	
R1GNL04	4 CELL NC HOUSING (TRIMLESS)	R1GDL04	4 CELL DOWNLIGHT (TRIMLESS)	
		R1GWL04	4 CELL WALL WASH (TRIMLESS)	
R1GNT06	6 CELL NC HOUSING (TRIM)	R1GDT06	6 CELL DOWNLIGHT (TRIM)	9 ¾" × 2 ¼"
R1GNL06	6 CELL NC HOUSING (TRIMLESS)	R1GDL06	6 CELL DOWNLIGHT (TRIMLESS)	
R1GNT08	8 CELL NC HOUSING (TRIM)	R1GDT08	8 CELL DOWNLIGHT (TRIM)	12 1/16" × 2 1/16"
		R1GWT08	8 CELL WALL WASH (TRIM)	
R1GNL08	8 CELL NC HOUSING (TRIMLESS)	R1GDL08	8 CELL DOWNLIGHT (TRIMLESS)	
		R1GWL08	8 CELL WALL WASH (TRIMLESS)	
R1GNT12	12 CELL NC HOUSING (TRIM)	R1GDT12	12 CELL DOWNLIGHT (TRIM)	18 5/8" × 2 1/16"
		R1GWT12	12 CELL WALL WASH (TRIM)	
R1GNL12	12 CELL NC HOUSING (TRIMLESS)	R1GDL12	12 CELL DOWNLIGHT (TRIMLESS)	
		R1GWL12	12 CELL WALL WASH (TRIMLESS)	

Abbreviations:

NC - New Construction