

Volta

Static White - 4.5" Downlight

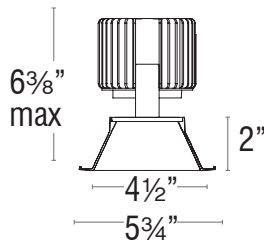
R4RD2T | R4RD2L | R4SD2T | R4SD2L

Fixture Type: _____
 Project: _____
 Catalog#: _____
 Location: _____

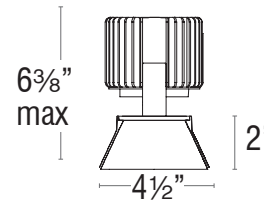


LINE DRAWING

TRIM



TRIMLESS



PRODUCT DESCRIPTION

Volta LED downlight series represents an innovation in design and technology for architectural lighting. This high lumen and adaptable family of fixtures with a comprehensive set of round and square fittings, affords a sustainable solution for commercial, corporate, and upscale residential applications. A built-in field selectable light engine height allows for a cut-off angle adjustment of 30-34°.

SPECIFICATIONS

Construction:	Durable die-cast self flanged aluminum construction
Mounting:	Heavy gauge retention clips support trim firmly Ceiling cut out (Round): Trim \varnothing 5 $\frac{1}{8}$ " \bigcirc Trimless \varnothing 5 $\frac{1}{8}$ " \bigcirc Ceiling cut out (Square): Trim 5 $\frac{1}{8}$ " x 5 $\frac{1}{8}$ " \square Trimless 5 $\frac{1}{8}$ " x 5 $\frac{1}{8}$ " \square Accommodates ceiling thickness of 1/2" - 1 1/2"
Light Source:	High output 3-step Mac Adam Ellipse COB Rated life of 50,000 hours at L70
Input:	Universal 120-277V AC, 50/60 Hz
Dimming:	0-10V: 100-0% Electronic Low Voltage (ELV): 100-5% Lutron Hi-Lume 1% Ecosystem Fade-to-Black option
Maximum Delivered Intensity:	Up to 12,824 cd (Square Spot 15°, 4000K, CRI 85)
Maximum Delivered Output:	Up to 3,585 lm (Square Narrow Flood 25°, 4000K, CRI 85)
Standards:	ETL & cETL Wet location listed, Title 24 JA8 Compliant
Warranty:	5 year WAC Lighting guaranteed warranty

BEAM ANGLES



FINISHES



Model	Beam	Lumens	Ref Output*		Lumens/Watt	Color Temp	CRI	
			CBCP					
R4RD2T R4RD2L	S 15°	Round	1405	11420	65	827 - 2700K	85	
		Square	1440	11985	66			
	N 25°	Round	3145	9615	94			830 - 3000K
		Square	3350	9820	99			835 - 3500K
R4SD2T R4SD2L	F 45°	Round	3025	5005	90	840 - 4000K	85	
		Square	3200	4935	95	927 - 2700K	90	
	W 60°	Round	2895	3125	85	930 - 3000K	90	
		Square	3060	3055	90			

Lumens and CBCP are reference values for 3000K Color Temperature and 85 CRI with 36 housing. Refer to Multiplier Table in Performance Data to determine other outputs.

Volta

Static White - 4.5" Downlight

R4RD2T | R4RD2L | R4SD2T | R4SD2L

Fixture Type: _____
 Project: _____
 Catalog#: _____
 Location: _____

ORDERING INFORMATION

Model & Power	Beam	Color Temperature & CRI	Reflector Finish	Trim Finish
R4RD2T	S: Spot - 15°	827 - 2700K - 85	BK - BLACK	WT - WHITE
R4SD2T	N: Narrow Flood - 25°	830 - 3000K - 85	CB - COPPER	
R4RD2L	F: Flood - 45°	835 - 3500K - 85	HZ - HAZE	
R4SD2L	W: Wide Flood - 60°	840 - 4000K - 85	WT - WHITE	
		927 - 2700K - 90		
		930 - 3000K - 90		

R4RD2T-___-__ Example: R4RD2T-N840-WT

HOUSINGS (Required)								
Model	Trim	Power	S	N,F,W	Rating	Driver	Emergency Backup	
New Construction Airtight	R4RN (Round) R4SN (Square)	T <i>Trim</i> L <i>Trimless</i>	15	10W	15W	IC	DEFAULT <i>ELV, 0-10V</i> L1 <i>Lutron Hi-Lume 1%</i>	EM
			25	15W	23W	IC		
			36	22W	34W	Non-IC		
New Construction Airtight Chicago Plenum	R4RC (Round) R4SC (Square)	T <i>Trim</i> L <i>Trimless</i>	15	10W	15W	IC	DEFAULT <i>ELV, 0-10V</i> L1 <i>Lutron Hi-Lume 1%</i>	EM
			25	15W	23W	IC		
			36	22W	34W	Non-IC		
Remodel Round or Square	R4BR	T <i>Trim</i>	15	10W	15W	Non-IC	DEFAULT <i>ELV, 0-10V</i>	N/A
			25	15W	23W	Non-IC		
			36	22W	34W	Non-IC		
Remodel	R4RR (Round) R4SR (Square)	L <i>Trimless</i>	15	10W	15W	Non-IC	DEFAULT <i>ELV, 0-10V</i>	N/A
			25	15W	23W	Non-IC		
			36	22W	34W	Non-IC		

ACCESSORIES	
LENS-73-HLD <i>Accessory Holder</i>	LENS-73-GRN <i>Green Lens</i>
LENS-73-HCM <i>Honeycomb Louver</i>	LENS-73-RED <i>Red Lens</i>
LENS-73-CRL <i>Cross Louver</i>	LENS-73-FR <i>Frosted Lens</i>
LENS-73-SNOOT <i>Snoot</i>	LENS-73-SPR <i>Spread Lens</i>
LENS-73-AMB <i>Amber Lens</i>	LENS-73-BEL <i>Beam Elongating Lens</i>
LENS-73-BLU <i>Blue Lens</i>	

FIELD REPLACEABLE DRIVER
D-R4N-15 <i>Driver for 15W New Construction Housing</i>
D-R4N-25 <i>Driver for 23W New Construction Housing</i>
D-R4N-36 <i>Driver for 34W New Construction Housing</i>

INTERCHANGEABLE REFLECTORS
REF-R4-N <i>Narrow Flood Beam</i>
REF-R4-F <i>Flood Beam</i>
REF-R4-W <i>Wide Beam</i>

ORDERING NOTES
1. The "White" trim finish is only available with the reflector finishes "Black" and "Haze".
2. Trimless fixtures cannot be ordered with a trim finish.
3. The "Spot - 15°" beam angle is available in 10W, 15W, and 22W.
4. The "Narrow Flood - 25°", "Flood - 45°", "Wide Flood - 60°" beam angles are available in 15W, 23W, and 34W.

wacarchitectural.com | WAC Architectural, a WAC Group brand.

WAC Group Headquarters
 44 Harbor Park Drive
 Port Washington, NY 11050

WAC Architectural
 Phone (800) 526.2588
 Fax (800) 526.2585

APR 2026 | P. 2 of 9

WAC GROUP

WAC Group retains the right to modify the design of our products at any time as part of the company's continuous improvement program.

Volta

Static White - 4.5" Downlight

R4RD2T | R4RD2L | R4SD2T | R4SD2L

Fixture Type: _____

Project: _____

Catalog#: _____

Location: _____

FEATURES

<p>Optics:</p> <ul style="list-style-type: none"> • 2" lens regress for superior glare control • Field selectable light engine height for cut-off angle adjustment (30°-34°) and accessory use 	<p>Construction:</p> <ul style="list-style-type: none"> • Durable die-cast self flanged aluminum construction • Heavy gauge retention clips support trim firmly
<p>LED:</p> <ul style="list-style-type: none"> • High output COB LED with a 3-step Mac Adam ellipse • Rated operational life of 50,000 hours at L70 (LED maintains 70% of its initial delivered lumens when brand new for 50,000 hours of use.) 	<p>Trim and Reflector:</p> <ul style="list-style-type: none"> • Integral patterned tempered trim lens included standard with every fixture • Dual finished fixtures are a single piece with no physical seams
<p>Electrical:</p> <ul style="list-style-type: none"> • Volta is compatible with 120-277 VAC, 50/60 Hz • Housings are available in 10W, 15W, and 23W if using a Spot Beam. If using a Narrow, Flood, or Wide beam, the housings are available in 15W, 23W, and 34W. 	<p>Installation:</p> <ul style="list-style-type: none"> • Requires housing for installation • New Construction housings for these fixtures are IC rated based on power level. The 36 power level (44W) is non-IC rated. • All Remodel housings are non-IC rated
<p>Dimming:</p> <ul style="list-style-type: none"> • Electronic Low Voltage (ELV) dimming is capable of a 100 - 5% range • 0-10V dimming is capable of a 100 - 0% range • The Lutron Hi-Lume 1% Ecosystem Fade-to-Black option is available 	<p>Warranty:</p> <ul style="list-style-type: none"> • WAC Architectural limited warranty up to 5 years • Full warranty found at: wacighting.com/warranty
<p>Notes:</p> <ul style="list-style-type: none"> • Trim and trimless fixtures of the same shape (Round/Square) have the same performance. Minor variations occur due to fixture shape. • The White and Black finishes are powder coated while the Haze is enamel coated and the Copper Bronze is plated and brushed. • The Volta product family is compatible with a wide range of accessories. 	

Volta

Static White - 4.5" Downlight

R4RD2T | R4RD2L | R4SD2T | R4SD2L

Fixture Type: _____

Project: _____

Catalog#: _____

Location: _____

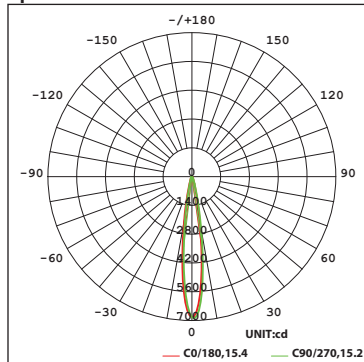
PERFORMANCE DATA

Polar Candela Distribution Charts

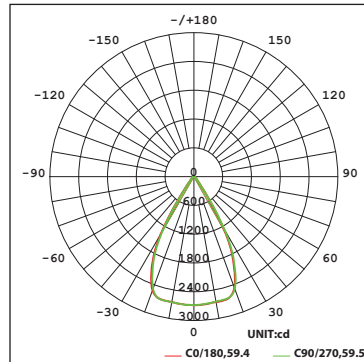
Samples shown with a 22W/34W (depending on beam angle) fixture set to 3000K and 90 CRI.

ROUND

Spot Beam: 15° Beam

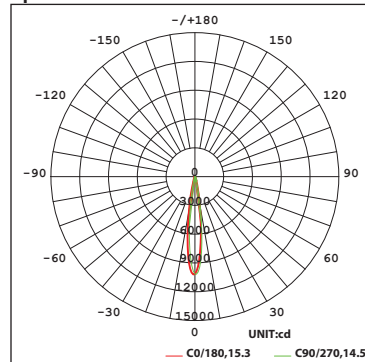


Wide Flood Beam: 60° Beam

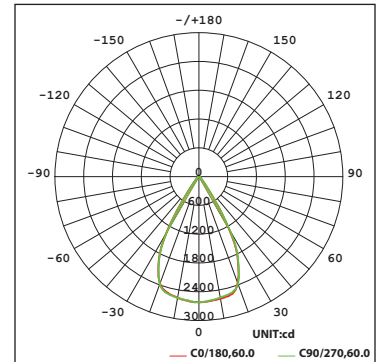


SQUARE

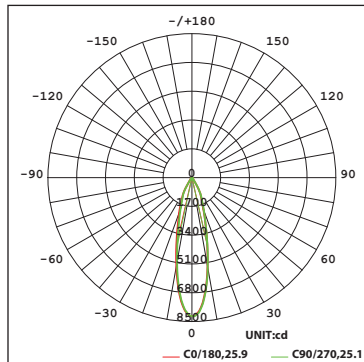
Spot Beam: 15° Beam



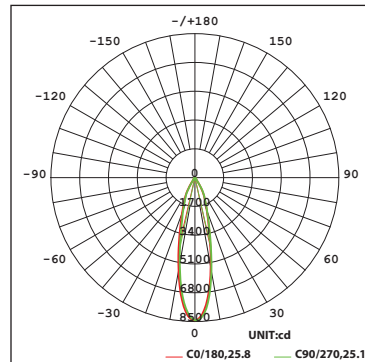
Wide Flood Beam: 60° Beam



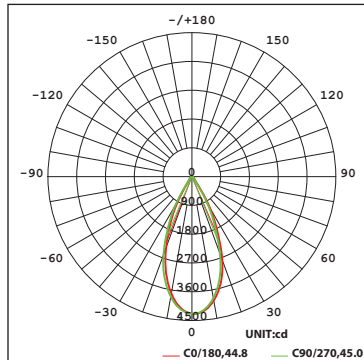
Narrow Flood Beam: 25° Beam



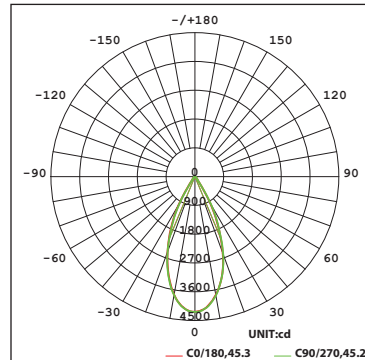
Narrow Flood Beam: 25° Beam



Flood Beam: 45° Beam



Flood Beam: 45° Beam



Volta

Static White - 4.5" Downlight

R4RD2T | R4RD2L | R4SD2T | R4SD2L

Fixture Type: _____

Project: _____

Catalog#: _____

Location: _____

PERFORMANCE DATA

Unified Glare Rating (UGR) Table

UGR values shown are calculated at 3000K and 90 CRI.

Round Fixture	Angle	UGR Range
Spot	15°	≤18
Narrow Flood	25°	≤12
Flood	45°	≤14
Wide Flood	60°	≤13

Square Fixture	Angle	UGR Range
Spot	15°	≤16
Narrow Flood	25°	≤12
Flood	45°	≤13
Wide Flood	60°	≤15

Lumens and CBCP Multiplier Table

Use the below table to determine lumens and CBCP values for the combinations of power, color temperature, and CRI values.

Multiplier	TRIM						
	827	927	830	930	835	840	
HOUSING	36	0.95	0.81	1.00	0.86	1.05	1.07
	25	0.66	0.56	0.69	0.59	0.73	0.74
	15	0.43	0.37	0.45	0.39	0.48	0.49

Volta

Static White - 4.5" Downlight

R4RD2T | R4RD2L | R4SD2T | R4SD2L

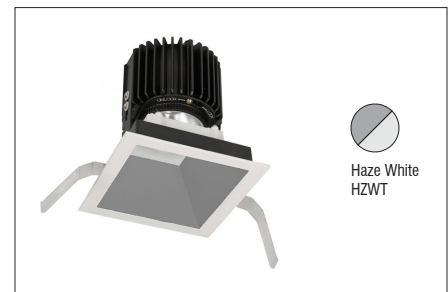
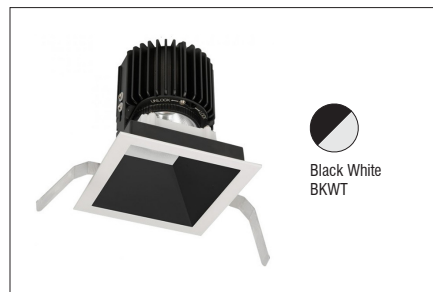
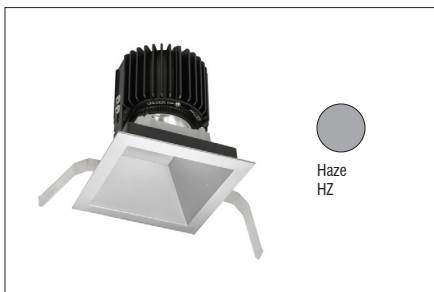
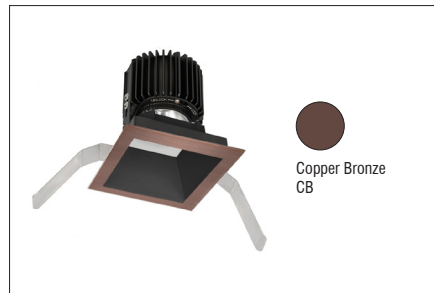
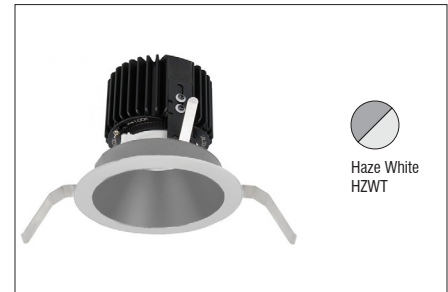
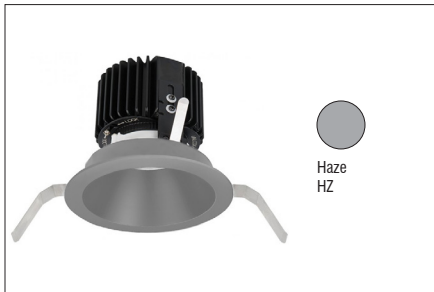
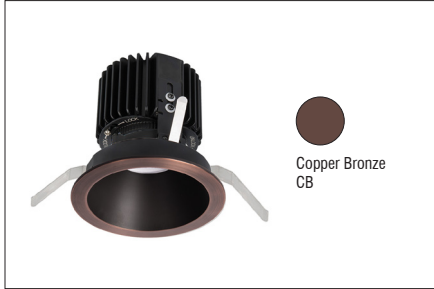
Fixture Type: _____

Project: _____

Catalog#: _____

Location: _____

TRIM AND HOUSING COLOR OPTIONS



ROUND TRIM

SQUARE TRIM

Volta

Static White - 4.5" Downlight

R4RD2T | R4RD2L | R4SD2T | R4SD2L

Fixture Type: _____

Project: _____

Catalog#: _____

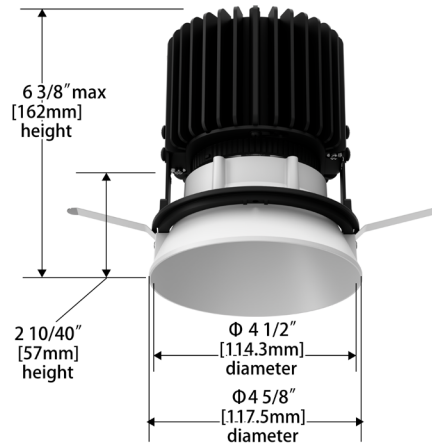
Location: _____

DIMENSIONAL DIAGRAMS

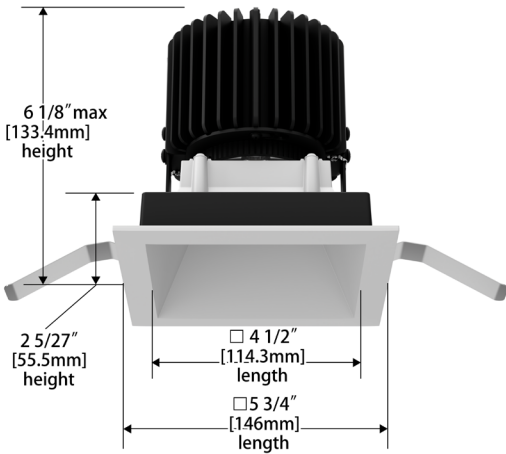
Round Trim (R4RD2T)



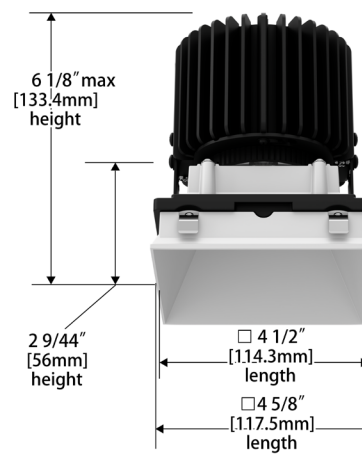
Round Trimless (R4RD2L)



Square Trim (R4SD2T)



Square Trimless (R4SD2L)



Volta

Static White - 4.5" Downlight

R4RD2T | R4RD2L | R4SD2T | R4SD2L

Fixture Type: _____

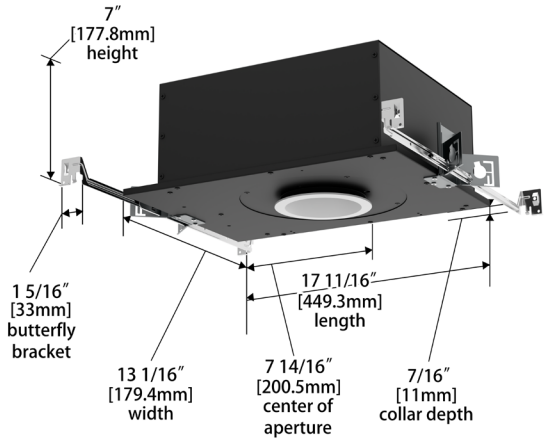
Project: _____

Catalog#: _____

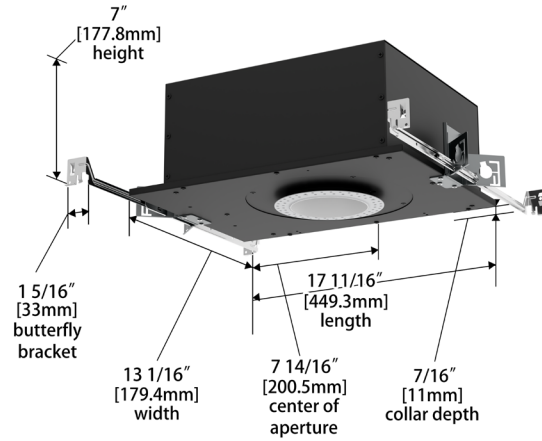
Location: _____

DIMENSIONAL DIAGRAMS

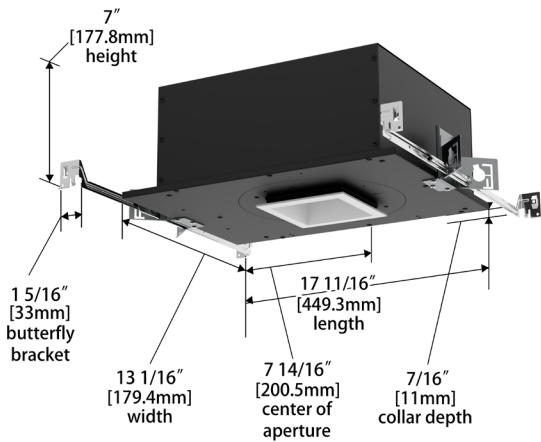
New Construction - Round Trim



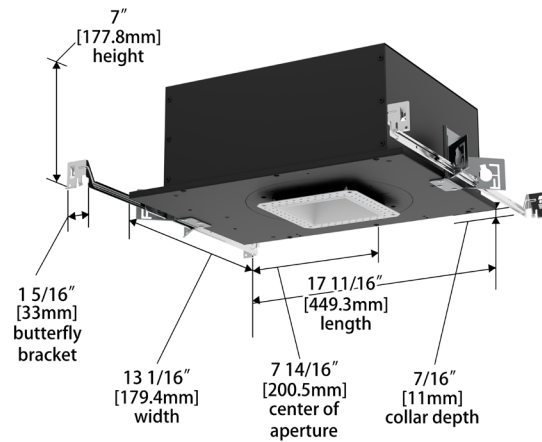
New Construction - Round Trimless



New Construction - Square Trim



New Construction - Square Trimless



Volta

Static White - 4.5" Downlight

R4RD2T | R4RD2L | R4SD2T | R4SD2L

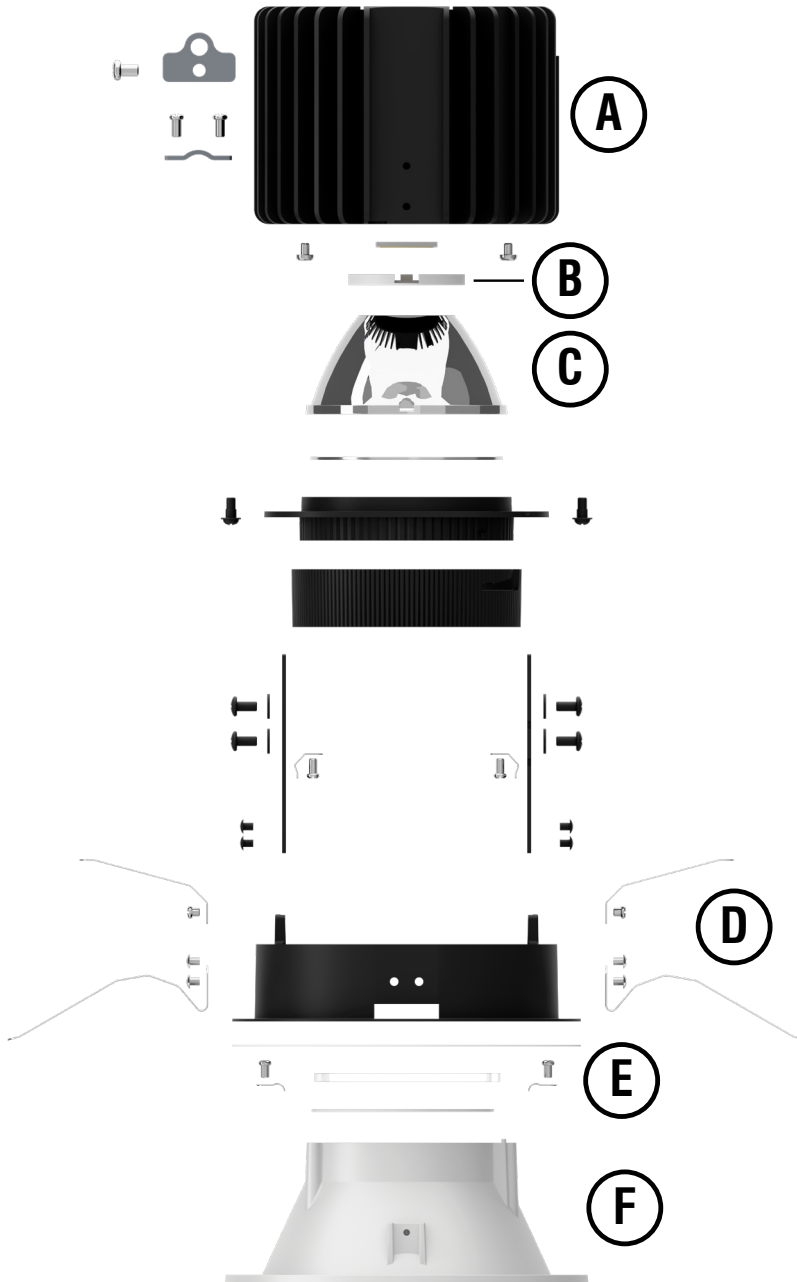
Fixture Type: _____

Project: _____

Catalog#: _____

Location: _____

EXPLODED VIEW DIAGRAM



Exploded View	
A	Heat Sink
B	LED
C	Reflector
D	Support Clips
E	Lens
F	Trim