

FQ Color Changing

4" Adjustable

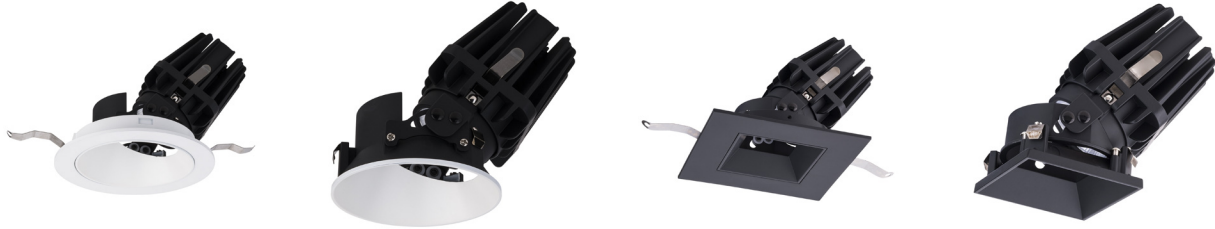
R4FRAT | R4FRAL | R4FSAT | R4FSAL

Fixture Type: _____

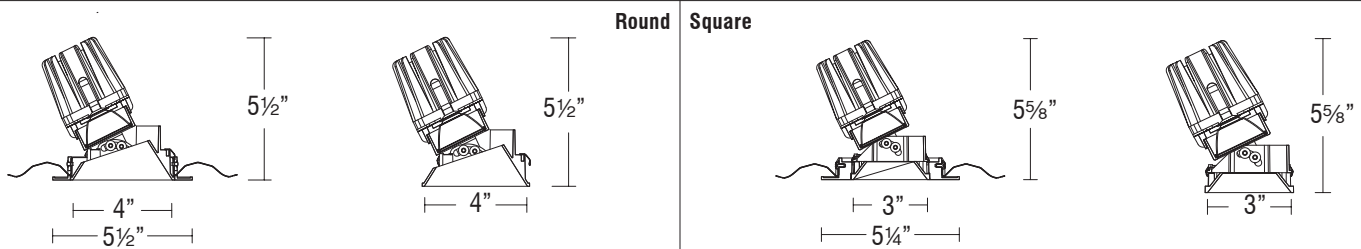
Project: _____

Catalog#: _____

Location: _____



LINE DRAWING



PRODUCT DESCRIPTION

Full Visible Spectrum color-tuning LEDs feature improved efficacy and lumens, as well as refined optical technology that offers human-centric recessed downlighting, catering to the needs of the modern technologist and integrator. Choose any color you can imagine, including the crispest white light or the softest pastel, with the ability to control gradients of saturated colors and a Tunable White CCT range from 1800-6500K.

SPECIFICATIONS

Construction:	Durable die-cast self flanged aluminum construction
Mounting:	Heavy gauge retention clips support trim firmly Ceiling cut out (Round): Trim $\varnothing 4\frac{3}{4}$ " \bigcirc Trimless $\varnothing 4\frac{3}{4}$ " \bigcirc Ceiling cut out (Square): Trim $4\frac{3}{4}$ " x $4\frac{3}{4}$ " \square Trimless $4\frac{3}{4}$ " x $4\frac{3}{4}$ " \square Accommodates $\frac{1}{2}$ " - 1" ceiling thickness
Light Source:	High output 3-step Mac Adam Ellipse COB Rated life of 50,000 hours at L70
Input:	Universal 120-277V AC, 50/60 Hz
Dimming:	DMX512-A RDM
Maximum Delivered Intensity:	Up to 2,393 cd (Square Narrow Flood 30°)
Maximum Delivered Output:	Up to 1,084 lm (Square Narrow Flood 30°)
Operating Temperature:	-4°F to 104°F (-20°C to 40°C)
Standards:	ETL & cETL Wet location listed
Warranty:	5 year WAC Lighting guaranteed warranty

BEAM ANGLES



FINISHES



Model	Beam	Lumens Ref Output*	CBCP Ref Output*	Color Temp	CRI
R4FRAT Round Trim	N 27°	Round 1065	2760	CC Color Changing	90+
R4FRAL Round Trimless		Square 780	2720		
R4FSAT Square Trim	F 42°	Round 980	1510		
R4FSAL Square Trimless		Square 685	1500		
R4FRAT Round Trim	W 55°	Round 1030	1350		
		Square 780	1345		

Lumens and CBCP are reference values for a trim fixture set to 3000K Color Temperature. Refer to Multiplier Table in Performance Data to determine other outputs.

FQ Color Changing

4" Adjustable

R4FRAT | R4FRAL | R4FSAT | R4FSAL

Fixture Type: _____

Project: _____

Catalog#: _____

Location: _____

ORDERING INFORMATION

CONFIGURATION TABLE		
Model	Color Temperature & CRI	Reflector Finish
R4FRAT	CCX - Color Changing	BK - BLACK
R4FRAL		DB - DARK BRONZE
R4FSAT		HZ - HAZE
R4FSAL		HZWT - HAZE/WHITE
		WT - WHITE

R4FRAT-CCX-__

Example: R4FRAT-CCX-WT

ACCESSORIES	
LENS-16-HCM	<i>Honeycomb Louver</i>
LENS-16P-CRL-BK	<i>Cross Louver</i>
LENS-16AMB	<i>Amber Lens</i>
LENS-16RED	<i>Red Lens</i>
LENS-16BLU	<i>Blue Lens</i>
LENS-16GRN	<i>Green Lens</i>
LENS-16SPR	<i>Spread Lens</i>
LENS-16BEL	<i>Beam Elongating Lens</i>

ORDERING NOTES

1. The "Haze/White" finish is only available on trimmed fixtures (R4FRAT, R4FSAT).
2. The "Haze" finish is only available on trimless fixtures (R4FRAL, R4FSAL).
3. Flood beam (F - 42°) reflector comes pre-installed. All three reflector options (N-27°, F-42°, and W-55°) are included.

FQ Color Changing

4" Adjustable

R4FRAT | R4FRAL | R4FSAT | R4FSAL

Fixture Type: _____
 Project: _____
 Catalog#: _____
 Location: _____

ORDERING INFORMATION

Housings	Model	Power	Rating
New Construction Airtight Trimmed Round & Square	R4FBNT-CCX	15W	IC
New Construction Airtight Trimless Round	R4FRNL-CCX	15W	IC
New Construction Airtight Trimless Square	R4FSNL-CCX	15W	IC
New Construction Frame-In Trimmed Round & Square	R4FBFT-CCX	15W	Non-IC
New Construction Frame-In Trimless Round	R4FRFL-CCX	15W	Non-IC
New Construction Frame-In Trimless Square	R4FSFL-CCX	15W	Non-IC
New Construction Frame-In Trimmed Round & Square	R4FBFT-CCX	15W	Non-IC
New Construction Frame-In Trimless Round	R4FRFL-CCX	15W	Non-IC
New Construction Frame-In Trimless Square	R4FSFL-CCX	15W	Non-IC

R4F__-CCX
 Example: R4FBNT-CCX

FQ Color Changing

4" Adjustable

R4FRAT | R4FRAL | R4FSAT | R4FSAL

Fixture Type: _____

Project: _____

Catalog#: _____

Location: _____

FEATURES

<p>Optics:</p> <ul style="list-style-type: none"> • High lumen output across the full RGB color gamut and CCT range of 1800K - 6500K • Powerful glare control due to the fixtures 30° shielding angle, 45° vertical tilting, and 360° horizontal rotation 	<p>Construction:</p> <ul style="list-style-type: none"> • Two piece die-cast aluminum constructed body and trim
<p>LED:</p> <ul style="list-style-type: none"> • High output COB LED with a 3-step Mac Adam ellipse • Rated operational life of 50,000 hours at L70 (LED maintains 70% of its initial delivered lumens when brand new for 50,000 hours of use.) 	<p>Trim and Reflector:</p> <ul style="list-style-type: none"> • Reflectors with beam angles of 27°, 42°, and 55° are all included and swappable
<p>Electrical:</p> <ul style="list-style-type: none"> • Input power is universal 120-277VAC and 50/60 Hz • Available in 14W and 18W power levels 	<p>Installation:</p> <ul style="list-style-type: none"> • Light engine is mounted onto the trim using springs that allow for easy replacement • Heavy gauge retention clips firmly support the trim within the housing
<p>Dimming:</p> <ul style="list-style-type: none"> • DMX512-A with RDM control is built-in for full control of the RGB color gamut and Tunable White CCT range of 1800K - 6500K 	<p>Warranty:</p> <ul style="list-style-type: none"> • WAC Architectural limited warranty up to 5 years • Full warranty found at: wacighting.com/warranty
<p>Notes:</p> <ul style="list-style-type: none"> • The White, Black, and Dark Bronze finishes are all electrostatically powder coated • The Haze finish is enamel coated 	

FQ Color Changing

4" Adjustable

R4FRAT | R4FRAL | R4FSAT | R4FSAL

Fixture Type: _____

Project: _____

Catalog#: _____

Location: _____

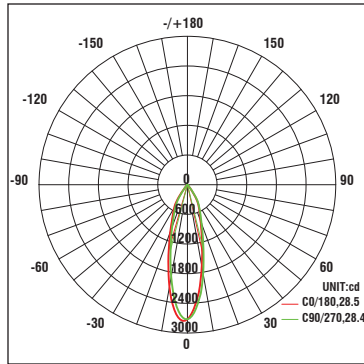
PERFORMANCE DATA

Polar Candela Distribution Charts

Samples shown from a trimmed fixture set to 3000K.

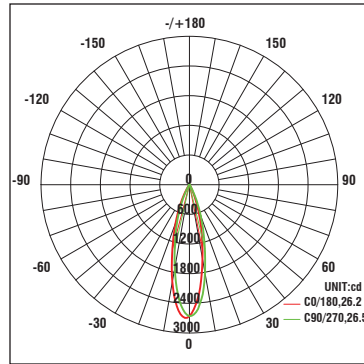
ROUND

Narrow Flood Beam: 27° Beam

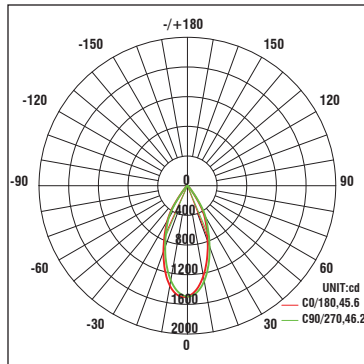


SQUARE

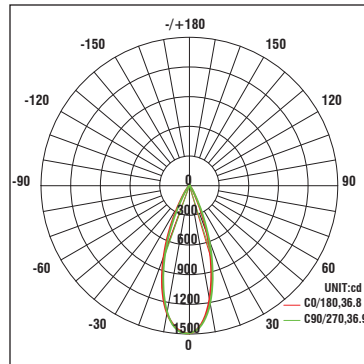
Narrow Flood Beam: 27° Beam



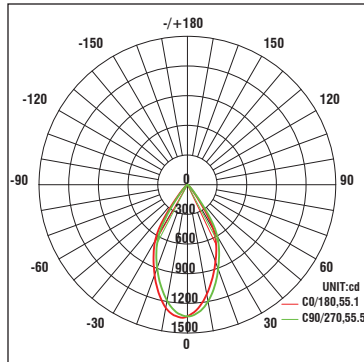
Flood Beam: 42° Beam



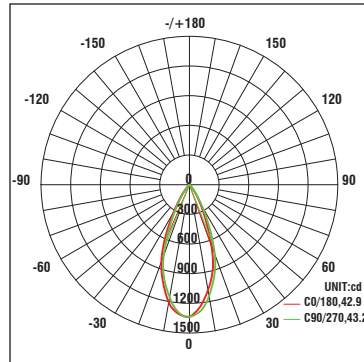
Flood Beam: 42° Beam



Wide Flood Beam: 55° Beam



Wide Flood Beam: 55° Beam



FQ Color Changing

4" Adjustable

R4FRAT | R4FRAL | R4FSAT | R4FSAL

Fixture Type: _____
 Project: _____
 Catalog#: _____
 Location: _____

PERFORMANCE DATA

Unified Glare Rating (UGR) Table

UGR values shown are calculated using trimmed fixtures set to 3000K.

Round Fixture	Angle	UGR Range
Narrow Flood	27°	≤ 16
Flood	42°	≤ 18
Wide Flood	55°	≤ 19

Square Fixture	Angle	UGR Range
Narrow Flood	27°	≤ 10
Flood	42°	≤ 12
Wide Flood	55°	≤ 14

Lumens and CBCP Multiplier Table

Use the below table to determine lumens and CBCP values for the combinations of power, color temperature, and CRI values.

LUMENS AND CBCP MULTIPLIER								
Housing Wattage	Color Temperature							
	1800K	2200K	2700K	3000K	3500K	4000K	5000K	6500K
15W	0.70	0.86	0.97	1.00	1.04	1.08	1.12	1.10

FQ Color Changing

4" Adjustable

R4FRAT | R4FRAL | R4FSAT | R4FSAL

Fixture Type: _____

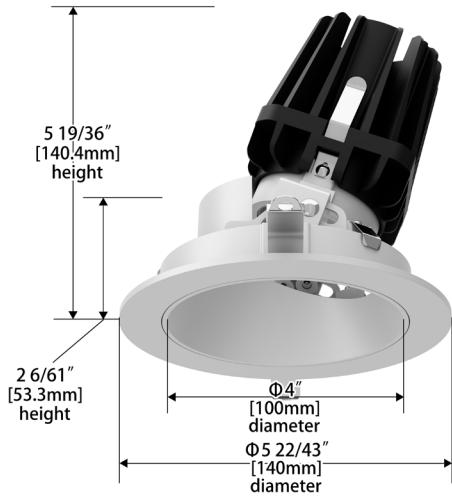
Project: _____

Catalog#: _____

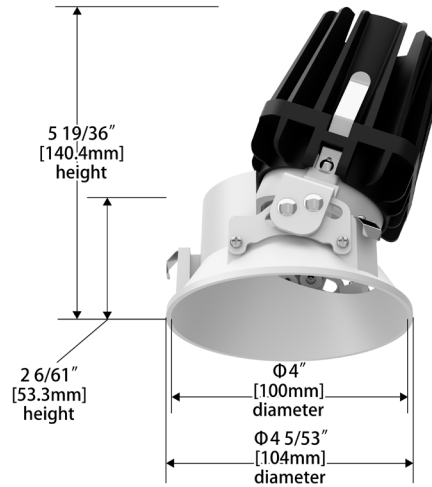
Location: _____

DIMENSIONAL DIAGRAMS

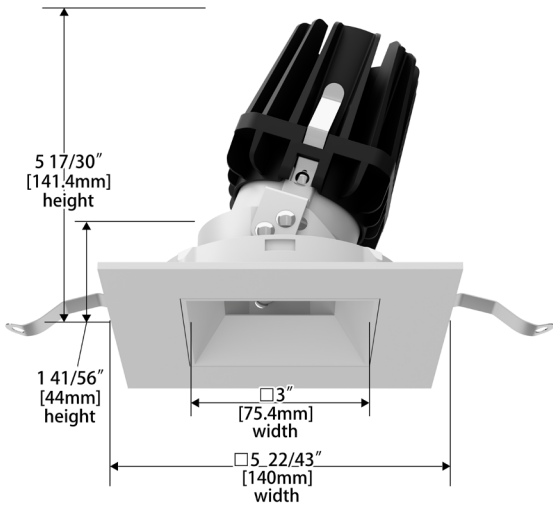
Round Trim (R4FRAT)



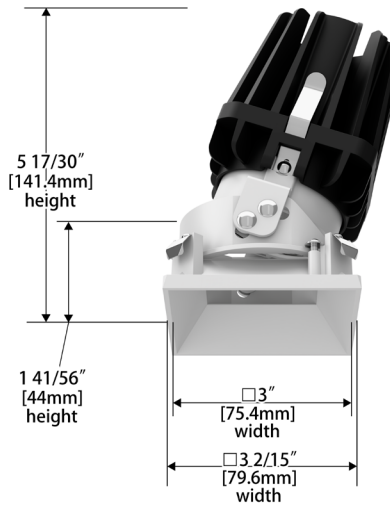
Round Trimless (R4FRAL)



Square Trim (R4FSAT)



Square Trimless (R4FSAL)



FQ Color Changing

4" Adjustable

R4FRAT | R4FRAL | R4FSAT | R4FSAL

Fixture Type: _____

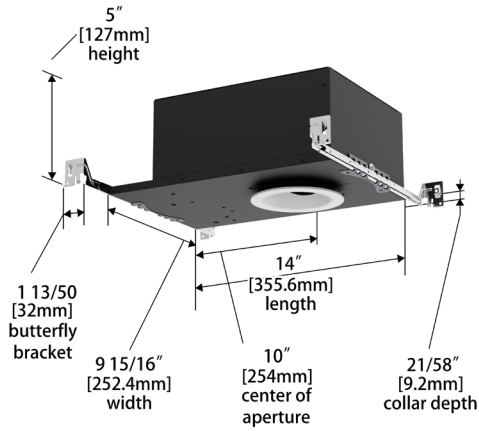
Project: _____

Catalog#: _____

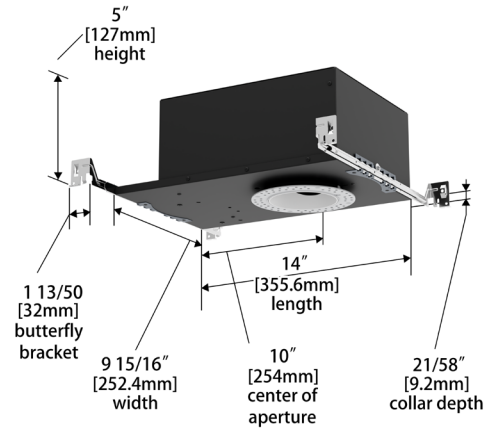
Location: _____

DIMENSIONAL DIAGRAMS

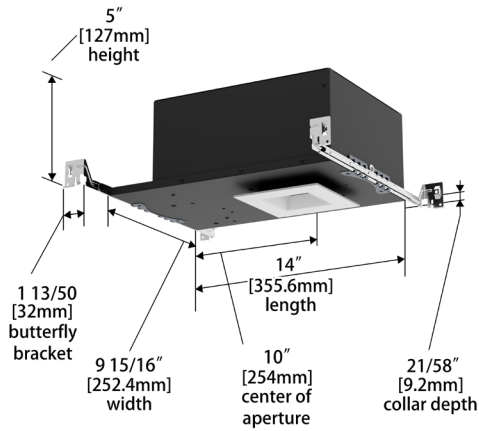
New Construction - Round Trim



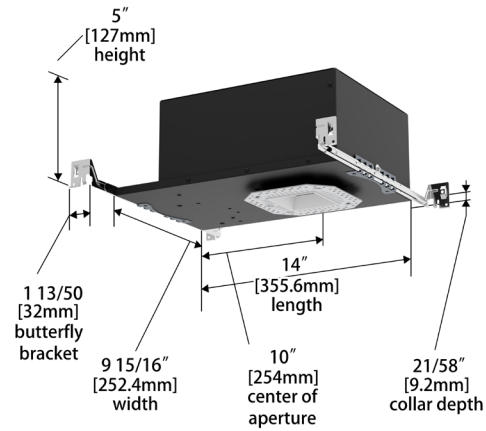
New Construction - Round Trimless



New Construction - Square Trim



New Construction - Square Trimless



FQ Color Changing

4" Adjustable

R4FRAT | R4FRAL | R4FSAT | R4FSAL

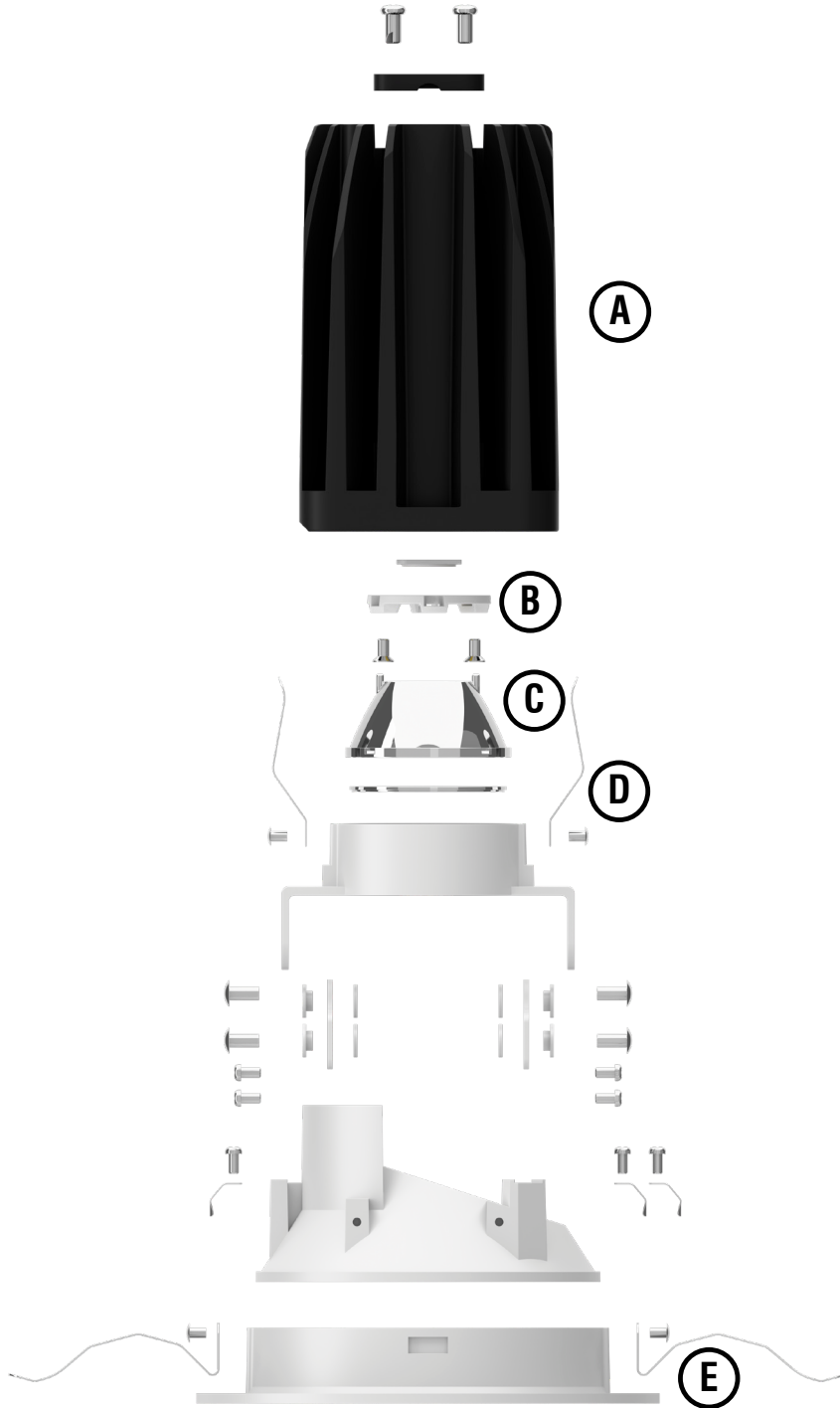
Fixture Type: _____

Project: _____

Catalog#: _____

Location: _____

EXPLODED VIEW DIAGRAM



Exploded View	
A	Heat Sink
B	LED
C	Reflector
D	Lens
E	Trim