

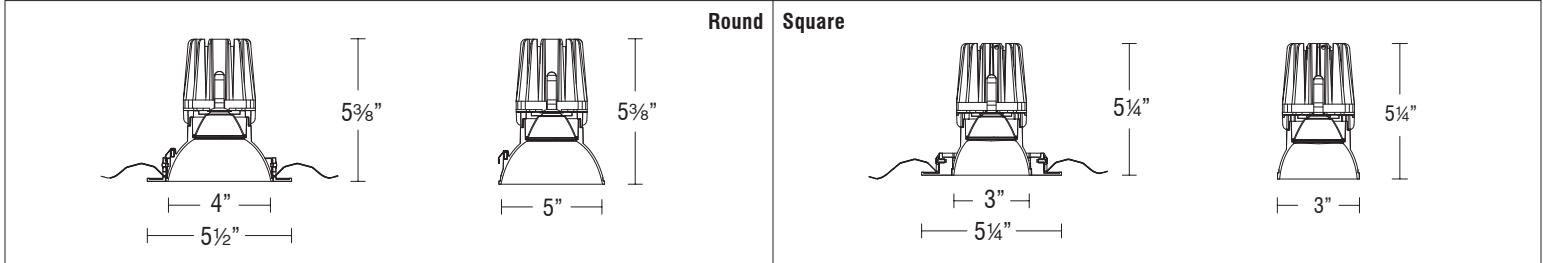
## FQ 4" Downlight

R4FRDT | R4FRDL | R4FSDT | R4FSDL

Fixture Type: \_\_\_\_\_  
 Project: \_\_\_\_\_  
 Catalog#: \_\_\_\_\_  
 Location: \_\_\_\_\_



### LINE DRAWING



### PRODUCT DESCRIPTION

The FQ Recessed series offers a complete line of high performance LED luminaires that provide outstanding functionality and quality. The FQ series features superlative glare control with 30° shielding, 45° vertical tilting, and uniform floor-to-ceiling wall washing. Multiple power level options and a full line of round and square, trimmed and trimless luminaires offer versatile solutions for various lighting applications. Easy to order, install, and service.

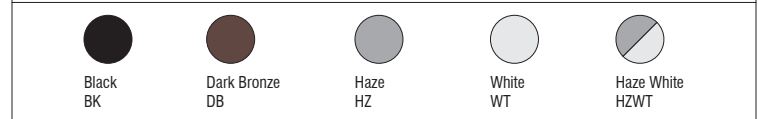
### SPECIFICATIONS

<b>Construction:</b>	Two piece die-cast construction
<b>Mounting:</b>	Heavy gauge retention clips support trim firmly Ceiling cut out (Round): Trim $\varnothing 4\frac{3}{4}"$ Trimless $\varnothing 4\frac{3}{4}"$ Ceiling cut out (Square): Trim $4\frac{3}{4}" \times 4\frac{3}{4}"$ Trimless $4\frac{3}{4}" \times 4\frac{3}{4}"$ Accommodates 1/2" - 1" ceiling thickness
<b>Light Source:</b>	High output 3-step Mac Adam Ellipse COB Rated life of 50,000 hours at L70
<b>Input:</b>	Universal 120-277V AC, 50/60 Hz
<b>Dimming:</b>	ELV, TRIAC, 0-10V: 100 - 1%
<b>Maximum Delivered Intensity:</b>	Up to 6,736 cd (Round Narrow 27°, 28W, 4000K, CRI 90)
<b>Maximum Delivered Output:</b>	Up to 2,645 lm (Round Narrow 27°, 28W, 4000K, CRI 90)
<b>Operating Temperature:</b>	-4°F to 104°F (-20°C to 40°C)
<b>Standards:</b>	ETL & cETL Wet location listed, Energy Star 2.0, Title 24 JA8 Compliant
<b>Warranty:</b>	5 year WAC Lighting guaranteed warranty

### BEAM ANGLES



### FINISHES



Model	Beam	Lumens Ref Output*	CBCP Ref Output*	Color Temp	CRI
R4FRDT Round Trim	N 27°	Round 2495	6355	927 - 2700K	90
R4FRDL Round Trimless		Square 2445	6110		
R4FSDT Square Trim	F 40°	Round 2450	3920	930 - 3000K	
R4FSDL Square Trimless		Square 2385	3780		
R4FSDL Square Trimless	W 50°	Round 2480	3495	940 - 4000K	
		Square 2385	3245		

Lumens and CBCP are reference values for a trim fixture with 4 housing set to 3000K Color Temperature. Refer to Multiplier Table in Performance Data to determine other outputs.

## FQ

### 4" Downlight

R4FRDT | R4FRDL | R4FSDT | R4FSDL

Fixture Type: \_\_\_\_\_

Project: \_\_\_\_\_

Catalog#: \_\_\_\_\_

Location: \_\_\_\_\_

## ORDERING INFORMATION

CONFIGURATION TABLE		
Model & Power	Color Temperature & CRI	Reflector Finish
<b>R4FRDT</b>	<b>927</b> - 2700K - 90	<b>BK</b> - BLACK
<b>R4FRDL</b>	<b>930</b> - 3000K - 90	<b>DB</b> - DARK BRONZE
<b>R4FSDT</b>	<b>935</b> - 3500K - 90	<b>HZ</b> - HAZE
<b>R4FSDL</b>	<b>940</b> - 4000K - 90	<b>HZWT</b> - HAZE/WHITE <b>WT</b> - WHITE

**R4FRDT-\_\_ - \_\_**

Example: R4FRDT-930-WT

Flood beam (F - 40°) reflector comes pre-installed. All three reflector options (N-27°, F-40°, and W-50°) are included.

ACCESSORIES	
LENS-16-HCM	<i>Honeycomb Louver</i>
LENS-16P-CRL-BK	<i>Cross Louver</i>
LENS-16AMB	<i>Amber Lens</i>
LENS-16RED	<i>Red Lens</i>
LENS-16BLU	<i>Blue Lens</i>
LENS-16GRN	<i>Green Lens</i>
LENS-16SPR	<i>Spread Lens</i>
LENS-16BEL	<i>Beam Elongating Lens</i>

### ORDERING NOTES

1. The "Haze/White" finish is only available on trimmed fixtures (R4FRDT, R4FSDT).
2. The "Haze" finish is only available on trimless fixtures (R4FRDL, R4FSDL).

Fixture Type: \_\_\_\_\_

Project: \_\_\_\_\_

Catalog#: \_\_\_\_\_

Location: \_\_\_\_\_

### ORDERING INFORMATION

Housings	Model	Power	Rating	Emergency Backup*
New Construction Airtight Trimmed Round & Square	<b>R4FBNT</b>	1 13W	IC,SPCL	<b>EM Optional</b>
		2 19W	IC,SPCL	
		3 25W	IC,SPCL	
		4 28W	Non-IC	
New Construction Airtight Trimless Round	<b>R4FRNL</b>	1 13W	IC,SPCL	N/A
		2 19W	IC,SPCL	
		3 25W	IC,SPCL	
		4 28W	Non-IC	
New Construction Airtight Trimless Square	<b>R4FSNL</b>	1 13W	IC,SPCL	N/A
		2 19W	IC,SPCL	
		3 25W	IC,SPCL	
		4 28W	Non-IC	
New Construction Frame-In Trimmed Round & Square	<b>R4FBFT</b>	1 13W	Non-IC	<b>EM Optional</b>
		2 19W	Non-IC	
		3 25W	Non-IC	
		4 28W	Non-IC	
New Construction Frame-In Trimless Round	<b>R4FRFL</b>	1 13W	Non-IC	N/A
		2 19W	Non-IC	
		3 25W	Non-IC	
		4 28W	Non-IC	
New Construction Frame-In Trimless Square	<b>R4FSFL</b>	1 13W	Non-IC	N/A
		2 19W	Non-IC	
		3 25W	Non-IC	
		4 28W	Non-IC	
Remodel Housing Trimless - Round	<b>R4FRRL</b>	1 13W	Non-IC	N/A
		2 19W	Non-IC	
		3 25W	Non-IC	
		4 28W	Non-IC	
Remodel Housing Trimless - Square	<b>R4FSRL</b>	1 13W	Non-IC	N/A
		2 19W	Non-IC	
		3 25W	Non-IC	
		4 28W	Non-IC	
Remodel Housing Trimmed	<b>R4FBRT</b>	1 13W	Non-IC	N/A
		2 19W	Non-IC	
		3 25W	Non-IC	
		4 28W	Non-IC	
Remodel Housing Trimmed	<b>R4FBR2T</b>	1 13W	IC	N/A

**R4F** - - -  
 Example: R4FBNT-1 or R4FBNT-1-EM  
 \*EM option is not SPCL rated

FQ  
4" Downlight

R4FRDT | R4FRDL | R4FSDT | R4FSDL

Fixture Type: \_\_\_\_\_  
 Project: \_\_\_\_\_  
 Catalog#: \_\_\_\_\_  
 Location: \_\_\_\_\_

**FEATURES**

<p><b>Optics:</b></p> <ul style="list-style-type: none"> <li>• High lumen output across four CCT options that are all rated 90 CRI</li> <li>• Powerful glare control due to the fixtures 30° shielding angle, 45° vertical tilting, and 360° horizontal rotation</li> </ul>	<p><b>Construction:</b></p> <ul style="list-style-type: none"> <li>• Two piece die-cast aluminum constructed body and trim</li> </ul>
<p><b>LED:</b></p> <ul style="list-style-type: none"> <li>• High output COB LED with a 3-step Mac Adam ellipse</li> <li>• Rated operational life of 50,000 hours at L70 (LED maintains 70% of its initial delivered lumens when brand new for 50,000 hours of use.)</li> </ul>	<p><b>Trim and Reflector:</b></p> <ul style="list-style-type: none"> <li>• Reflectors with beam angles of 27°, 40°, and 50° are all included and swappable</li> </ul>
<p><b>Electrical:</b></p> <ul style="list-style-type: none"> <li>• Input power is universal 120-277VAC and 50/60 Hz</li> <li>• Available in 13W, 19W, 25W, and 28W power levels</li> </ul>	<p><b>Installation:</b></p> <ul style="list-style-type: none"> <li>• Light engine is mounted onto the trim using springs that allow for easy replacement</li> <li>• Heavy gauge retention clips firmly support the trim within the housing</li> </ul>
<p><b>Dimming:</b></p> <ul style="list-style-type: none"> <li>• Electronic Low Voltage (ELV), TRIAC, and 0-10V dimming are available</li> <li>• ELV, TRIAC, and 0-10V are all capable of a range of 100 - 1%</li> </ul>	<p><b>Warranty:</b></p> <ul style="list-style-type: none"> <li>• WAC Architectural limited warranty up to 5 years</li> <li>• Full warranty found at: <a href="http://wacighting.com/warranty">wacighting.com/warranty</a></li> </ul>
<p><b>Notes:</b></p> <ul style="list-style-type: none"> <li>• The White, Black, and Dark Bronze finishes are all electrostatically powder coated</li> <li>• The Haze finish is enamel coated</li> </ul>	

## FQ 4" Downlight

R4FRDT | R4FRDL | R4FSDT | R4FSDL

Fixture Type: \_\_\_\_\_  
 Project: \_\_\_\_\_  
 Catalog#: \_\_\_\_\_  
 Location: \_\_\_\_\_

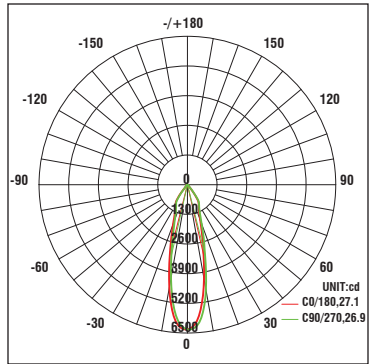
### PERFORMANCE DATA

#### Polar Candela Distribution Charts

Samples shown from a trim fixture with 4 housing set to 3000K.

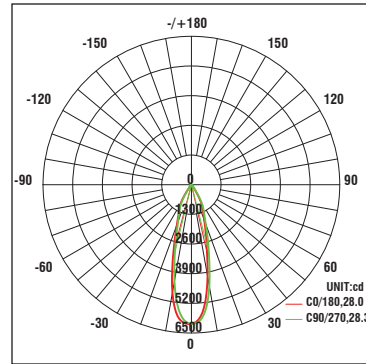
#### ROUND

Narrow Flood Beam: 27° Beam

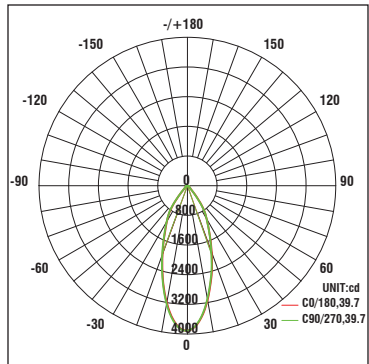


#### SQUARE

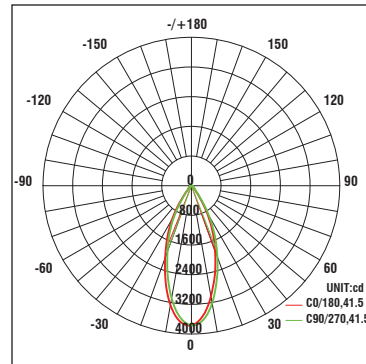
Narrow Flood Beam: 27° Beam



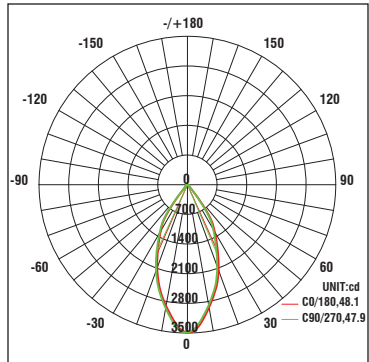
Flood Beam: 40° Beam



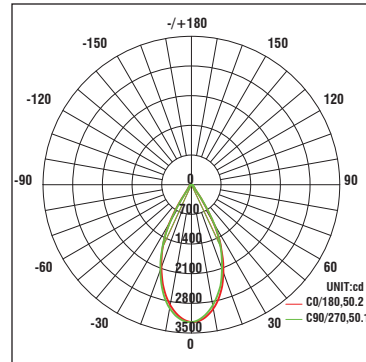
Flood Beam: 40° Beam



Wide Flood Beam: 50° Beam



Wide Flood Beam: 50° Beam



## FQ 4" Downlight

R4FRDT | R4FRDL | R4FSDT | R4FSDL

Fixture Type: \_\_\_\_\_  
 Project: \_\_\_\_\_  
 Catalog#: \_\_\_\_\_  
 Location: \_\_\_\_\_

### PERFORMANCE DATA

#### Unified Glare Rating (UGR) Table

UGR values shown are calculated for a fixture with 4 housing at 3000K and 90 CRI.

Round Fixture	Angle	UGR Range	Square Fixture	Angle	UGR Range
Narrow Flood	27°	≤ 14	Narrow Flood	27°	≤ 14
Flood	40°	≤ 15	Flood	40°	≤ 15
Wide Flood	50°	≤ 15	Wide Flood	50°	≤ 14

#### Lumens and CBCP Multiplier Table

Use the below table to determine lumens and CBCP values for the combinations of power, color temperature, and CRI values.

Multiplier		Color Temperature			
		927	930	935	940
HOUSING	4	0.95	1.00	1.02	1.06
	3	0.84	0.88	0.90	0.93
	2	0.65	0.68	0.70	0.72
	1	0.45	0.47	0.48	0.50

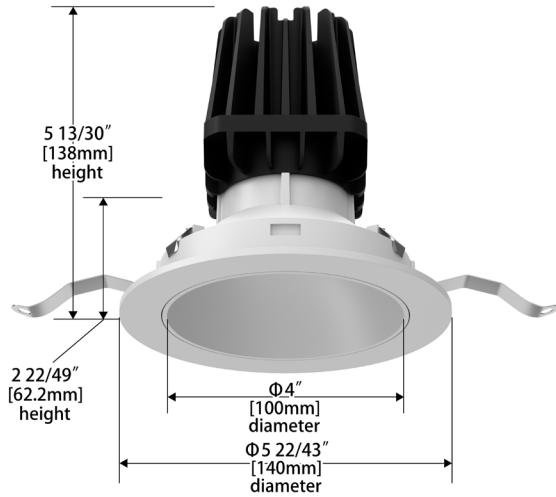
## FQ 4" Downlight

R4FRDT | R4FRDL | R4FSDT | R4FSDL

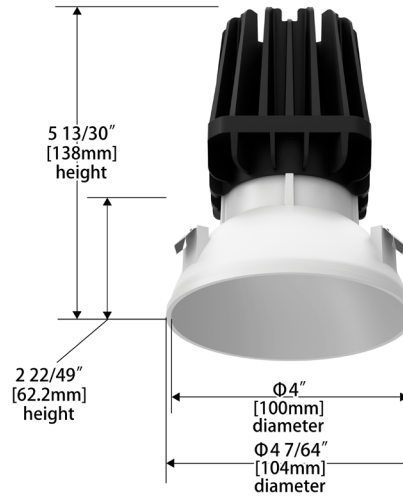
Fixture Type: \_\_\_\_\_  
 Project: \_\_\_\_\_  
 Catalog#: \_\_\_\_\_  
 Location: \_\_\_\_\_

### DIMENSIONAL DIAGRAMS

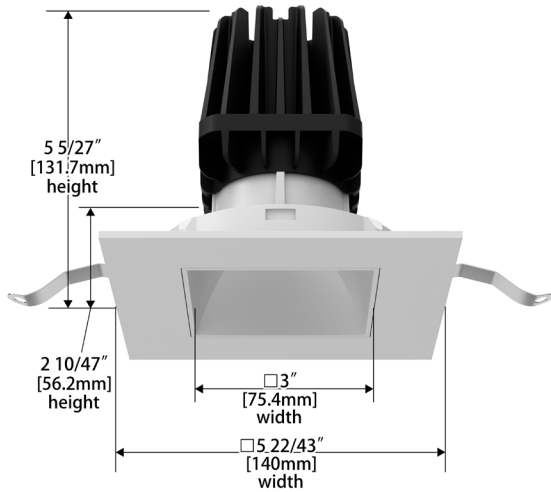
#### Round Trim (R4FRDT)



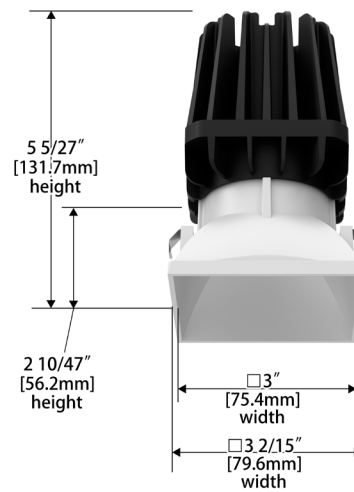
#### Round Trimless (R4FRDL)



#### Square Trim (R4FSDT)



#### Square Trimless (R4FSDL)



Fixture Type: \_\_\_\_\_

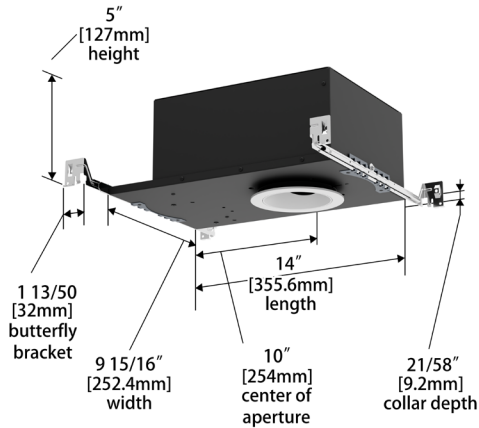
Project: \_\_\_\_\_

Catalog#: \_\_\_\_\_

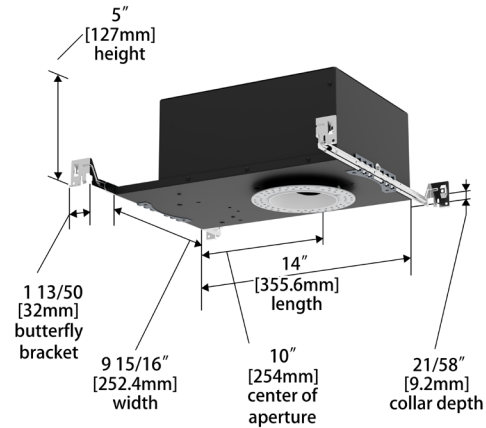
Location: \_\_\_\_\_

## DIMENSIONAL DIAGRAMS

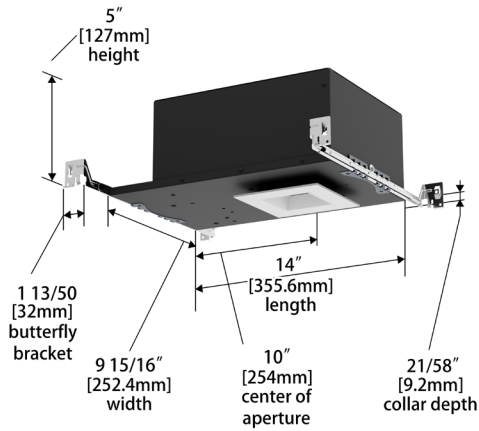
### New Construction - Round Trim



### New Construction - Round Trimless



### New Construction - Square Trim



### New Construction - Square Trimless

