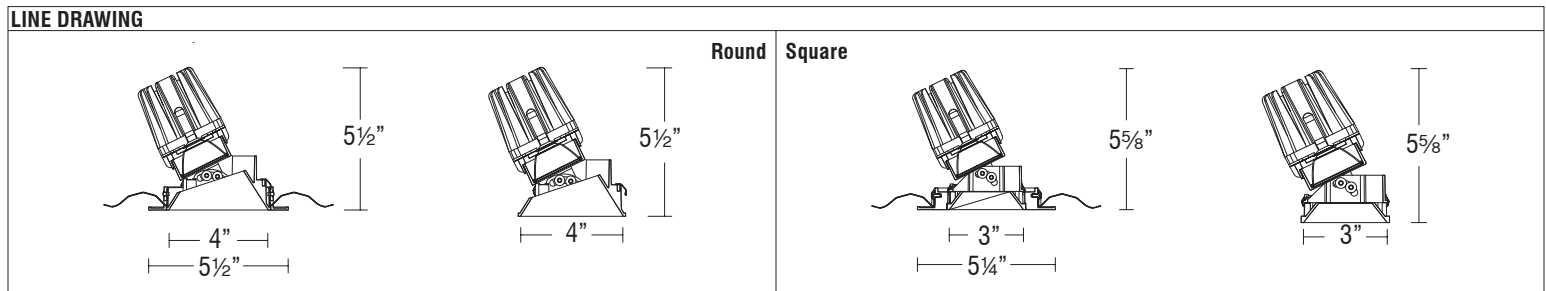
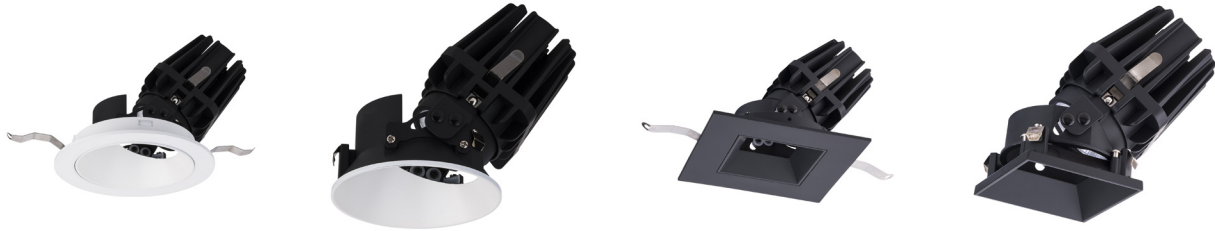


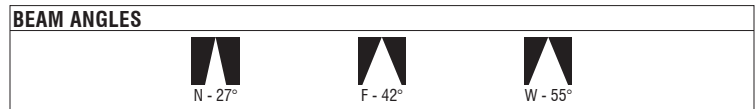
## FQ Tunable White 4" Adjustable

R4FRAT | R4FRAL | R4FSAT | R4FSAL

Fixture Type: \_\_\_\_\_  
 Project: \_\_\_\_\_  
 Catalog#: \_\_\_\_\_  
 Location: \_\_\_\_\_



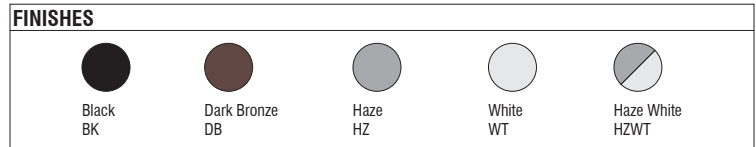
**PRODUCT DESCRIPTION**  
 FQ (Function + Quality) Experience simplicity and versatility with FQ 4" recessed luminaires. The fixtures merge modern design with world-class performance to achieve the ultimate in function and flexibility. Enjoy the benefits of two fixtures in one with Tunable White 1800-4000K and Dim-to-Warm 3000K-1800K features built into each luminaire, allowing you to customize the best light to illuminate dining areas, great rooms, primary bedrooms, kitchens, and baths on the fly. Deep regressed light sources deliver a glare-free, quiet ceiling aesthetic for a clean architectural look while providing a robust output from a diminutive source.



**SPECIFICATIONS**

**Construction:** Durable die-cast self flanged aluminum construction

**Mounting:** Heavy gauge retention clips support trim firmly  
 Ceiling cut out (Round): Trim Ø 4 3/4" ○  
 Trimless Ø 4 3/4" ○  
 Ceiling cut out (Square): Trim 4 3/4" x 4 3/4" □  
 Trimless 4 3/4" x 4 3/4" □  
 Accommodates 1/2" - 1" ceiling thickness



**Light Source:** High output 3-step Mac Adam Ellipse COB  
 Rated life of 50,000 hours at L70

**Input:** Universal 120-277V AC, 50/60 Hz

**Dimming:** 2CH 0-10V, DMX512-A: 100-0.1%

**Maximum Delivered Intensity:** Up to 2,393 cd (Square Narrow Flood 30°, 18W, 4000K, CRI 98)

**Maximum Delivered Output:** Up to 1,084 lm (Square Narrow Flood 30°, 18W, 4000K, CRI 98)

**Operating Temperature:** -4°F to 104°F (-20°C to 40°C)

Model	Beam	Lumens Ref Output*	CBCP Ref Output*	Color Temp	CRI
R4FRAT Round Trim	N 27°	Round 1535	3895	TW 1800K-4000K	90
R4FRAL Round Trimless		Square 1155	3915		
R4FSAT Square Trim	F 42°	Round 1555	2460		
R4FSAL Square Trimless		Square 1125	2495		
	W 55°	Round 1585	1865		
		Square 1200	1870		

Lumens and CBCP are reference values for a trim fixture with 3 housing set to 3000K Color Temperature. Refer to Multiplier Table in Performance Data to determine other outputs.

**Standards:** ETL & cETL Damp location listed, Title 24 JA8 Compliant

**Warranty:** 5 year WAC Lighting guaranteed warranty

wacarchitectural.com | WAC Architectural, a WAC Group brand.

WAC Group Headquarters  
 44 Harbor Park Drive  
 Port Washington, NY 11050

WAC Lighting  
 Phone (800) 526.2588  
 Fax (800) 526.2585



APR 2026 | P. 1 of 4

WAC GROUP

## FQ Tunable White

### 4" Adjustable

R4FRAT | R4FRAL | R4FSAT | R4FSAL

Fixture Type: \_\_\_\_\_

Project: \_\_\_\_\_

Catalog#: \_\_\_\_\_

Location: \_\_\_\_\_

### ORDERING INFORMATION

#### CONFIGURATION TABLE

Model	Color Temperature & CRI	Reflector Finish
<b>R4FRAT</b>	<b>TW - 1800K-4000K</b>	<b>BK - BLACK</b>
<b>R4FRAL</b>		<b>DB - DARK BRONZE</b>
<b>R4FSAT</b>		<b>HZ - HAZE</b>
<b>R4FSAL</b>		<b>HZWT - HAZE/WHITE</b> <b>WT - WHITE</b>

#### R4FRAT-TW-\_\_

Example: R4FRAT-TW-WT

#### ORDERING NOTES

- The "Haze/White" finish is only available on trimmed fixtures (R4FRAT, R4FSAT).
- The "Haze" finish is only available on trimless fixtures (R4FRAL, R4FSAL).
- Flood beam (F - 42°) reflector comes pre-installed. All three reflector options (N-27°, F-42°, and W-55°) are included.

Housings	Model	Control Options	Power
New Construction IC Airtight - Round & Square Trim	<b>R4FBNT-TW</b>	<b>X</b> DMX512-A <b>Z</b> 0-10V	<b>1</b> 14W IC <b>2</b> 19W IC <b>3</b> 26W IC
New Construction IC Airtight - Round Trimless	<b>R4FRNL-TW</b>	<b>X</b> DMX512-A <b>Z</b> 0-10V	<b>1</b> 14W IC <b>2</b> 19W IC <b>3</b> 26W IC
New Construction IC Airtight - Square Trimless	<b>R4FSNL-TW</b>	<b>X</b> DMX512-A <b>Z</b> 0-10V	<b>1</b> 14W IC <b>2</b> 19W IC <b>3</b> 26W IC
Remodel Non-IC Round Trimless	<b>R4FRRL-TW</b>	<b>X</b> DMX512-A <b>Z</b> 0-10V	<b>1</b> 13W Non-IC <b>2</b> 19W Non-IC <b>3</b> 25W Non-IC
Remodel Non-IC Square Trimless	<b>R4FSRL-TW</b>	<b>X</b> DMX512-A <b>Z</b> 0-10V	<b>1</b> 13W Non-IC <b>2</b> 19W Non-IC <b>3</b> 25W Non-IC
Remodel IC Round & Square Trim	<b>R4FBR2T-TW</b>	<b>X</b> DMX512-A <b>Z</b> 0-10V	<b>1</b> 14W IC
Remodel Non-IC Round & Square Trim	<b>R4FBRT-TW</b>	<b>X</b> DMX512-A <b>Z</b> 0-10V	<b>1</b> 14W Non-IC <b>2</b> 19W Non-IC <b>3</b> 26W Non-IC

#### ACCESSORIES

LENS-16-HCM	<i>Honeycomb Louver</i>
LENS-16P-CRL-BK	<i>Cross Louver</i>
LENS-16AMB	<i>Amber Lens</i>
LENS-16RED	<i>Red Lens</i>
LENS-16BLU	<i>Blue Lens</i>
LENS-16GRN	<i>Green Lens</i>
LENS-16SPR	<i>Spread Lens</i>
LENS-16BEL	<i>Beam Elongating Lens</i>

#### R4F\_\_-TW\_-\_\_

Example: R4FBNT-TWX-2

## FQ Tunable White

### 4" Adjustable

R4FRAT | R4FRAL | R4FSAT | R4FSAL

Fixture Type: \_\_\_\_\_

Project: \_\_\_\_\_

Catalog#: \_\_\_\_\_

Location: \_\_\_\_\_

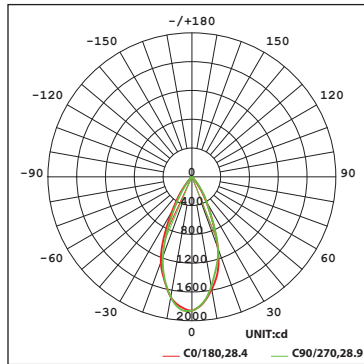
### PERFORMANCE DATA

#### Polar Candela Distribution Charts

Samples shown from a trim fixture with 3 housing set to 3000K.

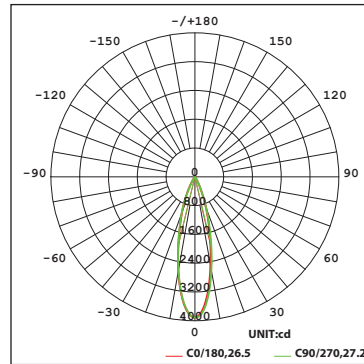
#### ROUND

Narrow Flood Beam: 27° Beam

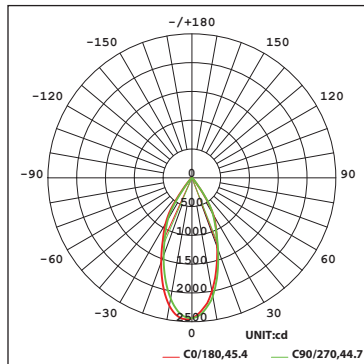


#### SQUARE

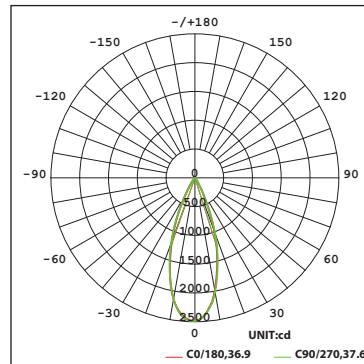
Narrow Flood Beam: 27° Beam



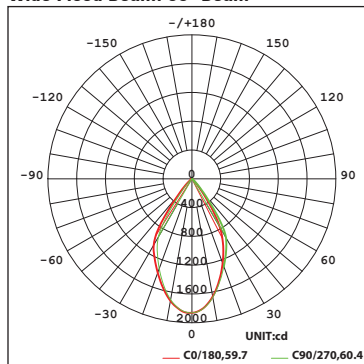
Flood Beam: 42° Beam



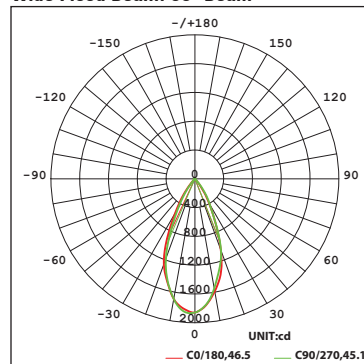
Flood Beam: 42° Beam



Wide Flood Beam: 55° Beam



Wide Flood Beam: 55° Beam



# FQ Tunable White

## 4" Adjustable

R4FRAT | R4FRAL | R4FSAT | R4FSAL

Fixture Type: \_\_\_\_\_  
 Project: \_\_\_\_\_  
 Catalog#: \_\_\_\_\_  
 Location: \_\_\_\_\_

### PERFORMANCE DATA

#### Unified Glare Rating (UGR) Table

UGR values shown are calculated for a Round Trim Narrow Flood Beam (27°) fixture with 3 housing at 3000K and 90 CRI. General performance of other beam angles shown below.

ceiling/cavity	0.7	0.7	0.5	0.5	0.3	0.7	0.7	0.5	0.5	0.3	
walls	0.5	0.3	0.5	0.3	0.3	0.5	0.3	0.5	0.3	0.3	
working plane	0.2	0.2	0.2	0.2	0.2	0.2	0.2	0.2	0.2	0.2	
Room dimensions	Viewed crosswise					Viewed endwise					
x = 2H y = 2H	16.5	17.3	16.7	17.5	17.7	15.7	16.5	15.9	16.7	16.9	
3H	16.4	17.1	16.6	17.3	17.6	15.6	16.3	15.8	16.6	16.8	
4H	16.3	17.1	16.6	17.3	17.5	15.5	16.3	15.8	16.5	16.7	
6H	16.5	17.2	16.8	17.4	17.7	15.5	16.2	15.8	16.4	16.7	
8H	16.7	17.4	17.0	17.6	17.9	15.5	16.1	15.8	16.4	16.7	
12H	17.0	17.7	17.3	17.9	18.2	15.4	16.1	15.8	16.3	16.6	
4H	2H	16.3	17.0	16.5	17.2	17.5	15.5	16.2	15.7	16.4	16.7
3H	16.2	16.8	16.5	17.1	17.3	17.3	15.4	16.0	15.7	16.3	16.6
4H	16.1	16.7	16.5	17.0	17.3	17.3	15.4	16.0	15.7	16.3	16.6
6H	16.4	16.9	16.8	17.2	17.6	17.6	15.5	16.0	15.9	16.3	16.7
8H	16.7	17.1	17.1	17.5	17.9	17.9	15.5	16.0	15.9	16.3	16.7
12H	17.2	17.6	17.6	18.0	18.4	18.4	15.5	15.9	15.9	16.3	16.7
8H	4H	16.0	16.5	16.4	16.9	17.2	15.3	15.8	15.7	16.2	16.6
6H	16.3	16.7	16.8	17.1	17.6	17.6	15.6	16.0	16.0	16.4	16.8
8H	16.7	17.1	17.2	17.5	18.0	18.0	15.7	16.0	16.1	16.5	16.9
12H	17.5	17.8	18.0	18.2	18.7	18.7	15.7	16.0	16.2	16.4	16.9
12H	4H	16.0	16.5	16.4	16.8	17.2	15.3	15.7	15.7	16.1	16.5
6H	16.4	16.7	16.8	17.1	17.6	17.6	15.6	16.0	16.1	16.4	16.9
8H	16.8	17.1	17.3	17.6	18.0	18.0	15.8	16.1	16.2	16.5	17.0

Round Fixture	Angle	UGR Range
Narrow Flood	27°	≤ 18
Flood	42°	≤ 19
Wide Flood	55°	≤ 21

Square Fixture	Angle	UGR Range
Narrow Flood	27°	≤ 13
Flood	42°	≤ 13
Wide Flood	55°	≤ 17

#### Lumens and CBCP Multiplier Table

Use the below table to determine lumens and CBCP values for the combinations of power, color temperature, and CRI values.

Lumens & CBCP Multiplier		Color Temperature					
TWA (1800K - 4000K)	Housing Power Level	1800K	2200K	2700K	3000K	3500K	4000K
	1 (14W)	0.42	0.48	0.53	0.56	0.59	0.63
	2 (19W)	0.59	0.67	0.74	0.78	0.83	0.88
	3 (26W)	0.76	0.86	0.95	1.00	1.07	1.13