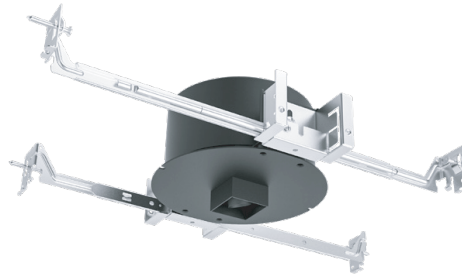
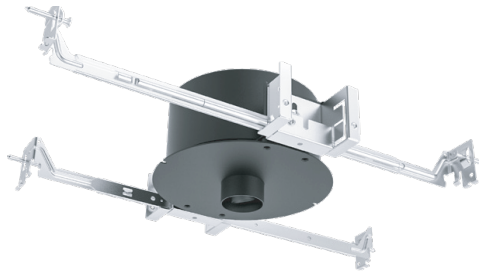


Aether Atomic

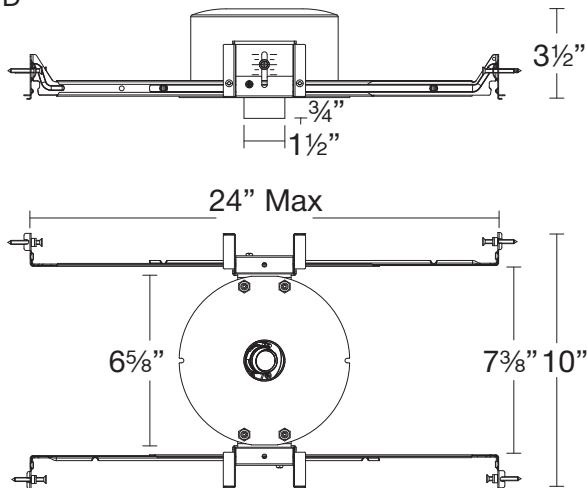
Round and Square Trimmed Adjustable Housing

R1ARANT | R1ASANT

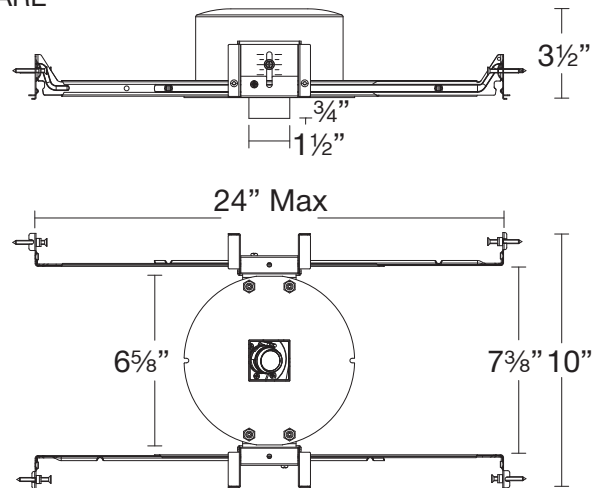
Fixture Type: _____
 Project: _____
 Catalog#: _____
 Location: _____



ROUND



SQUARE



PRODUCT DESCRIPTION

Minuscule and mighty, peerless and powerful, the new potent Aether Atomic launches into the light. An engineering recessed marvel for next generation futurists. Sublime and serviceable, it's an icon for the ages. Atomic breaks the mold with robust illumination from a diminutive aperture, for a clean, quiet

SPECIFICATIONS

- Construction:** Durable die-cast aluminum housing
- Dimming:** ELV, TRIAC, and 0-10V: 100 - 1%
- Input Power:** 11W
- Light Source:** High output 3-step Mac Adam Ellipse COB
Rated life of 50,000 hours at L70
- Mounting:** Suitable for installations on grid, wood, or drywall ceilings
Drywall and Grid: Accommodates 1/2" - 3/4" ceiling thickness
Wood: Accommodates 1/2" - 2" ceiling thickness
- Standards:** ETL & cETL Damp location listed, IC rated Airtight, Title 24 JA8 Compliant
- Warranty:** 5 year WAC Lighting guaranteed warranty



Aether Atomic

Round and Square Trimmed Adjustable Housing

R1ARANT | R1ASANT

Fixture Type: _____
 Project: _____
 Catalog#: _____
 Location: _____

ORDERING INFORMATION

HOUSINGS

Model	Power	Color Temp	CRI	Rating
Round Trimmed, Airtight R1ARANT	11W	927 2700K	90	IC
		930 3000K	90	IC
		935 3500K	90	IC
Square Trimmed, Airtight R1ASANT	11W	940 4000K	90	IC
		WD 3000K-1800K	90	IC

R1A ____ - ____

Example: R1ARANT-927

REMOTE POWER SUPPLY (Required)

Model	Input	Output	Dimmable	Dimensions
PS-0600A-UR1	120V-277V	1 Channel UL Class 2	ELV, TRIAC, 0-10V 100 - 1%	8 ³ / ₄ " x 2" x 1 ³ / ₈ "
PS-0600A-UR6	120V-277V	6 Channel UL Class 2	ELV, TRIAC, 0-10V 100 - 1%	10 ⁷ / ₈ " x 3 ⁷ / ₈ " x 1 ³ / ₈ "

ACCESSORIES (Sold Separately)

Model	Description
R1A-TOOL	Service tool for removing trim and light engine. Required for Adjustable fixtures and housings.

REPLACEMENT LIGHT ENGINE

RPL-R1A-MOD-927

RPL-R1A-MOD-930

RPL-R1A-MOD-935

RPL-R1A-MOD-940

RPL-R1A-MOD-WD