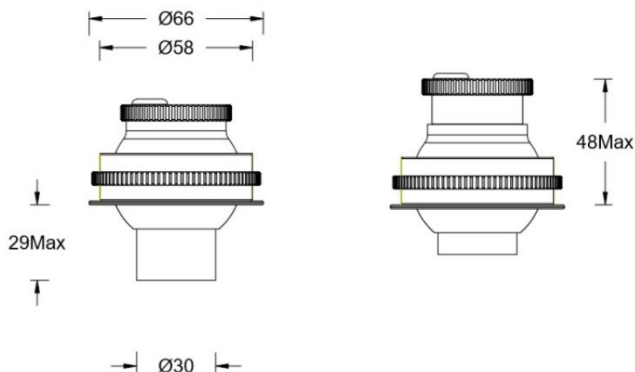


Rt qf wev'lo ci g

"Nlpg'Ft cy lpi "



Rt qf wev'F guet kr vlpq"

NGF "o g"II series display case light products are simple and compact in appearance, using WAC's leading SUBROSA anti-glare technology, with precise adjustable focus lighting design, which can be very convenient to adjust the light spot according to the characteristics of the exhibition. According to different display cases or application scenarios, the creative use of patented structural design, can support the focus operation from the front or from the back (dual use of one lamp), to meet the needs of different exhibitions, suitable for museum display cases and high-end art exhibitions.

Product Features

- **Body Material:** Aluminum alloy die-casting
- **Optical System:** Zoom optical lens + SUBROSA
- **Finish:** Liquid spraying, (BK)
- **Adjustable Angle:** Adjust horizontally in any direction; Vertical -30° to 30°
- **Accessories:** Extension cable is optional
- **Certification:** CQC
- **IP Rating:** IP20
- **Insulation Level:** Class III
- **Operating Temperature:** -20°C~40°C

Product Specifications

- **Cut-out:** Ø60mm
- **Ceiling Thickness:** 1~13mm
- **LED Type:** High-Power LED
- **LED Power:** 6W
- **Source Lm:** 480 lm(3000K) / 510 lm(4000K)
- **LED Lifetime:** >50000h-L70/B10-Ta25°C(LM-80/TM-21)
- **CCT/CRI:** 3000K/4000K, Ra90 or Ra97(>Ra95)
- **SDCM:** 3 SDCM
- **Input:** 12V DC (Constant current drive, 500mA Max)
- **Dimming:** For matching WAC special appliances, see accessories
- **Net Weight:** 0.17Kg without packing

Order Model

Model	LED	Drive	Beam	CRI	CCT	Finish
ASLR5F LEDme II	LM LED 6W	M MTB driver	F 8°~40°	9 Ra90	30 3000K	BK Black
		N Single wire		A Ra97	40 4000K	
ASLR5F	LM	M	F	9	30	BK

Example: ASLR5FLM-MF930BK

Note: Appliances are not included in the model

LEDME II - MODEL: ASLIR5FLM

Recessed Showcase Lighting

WAC ARCHITECTURAL

PROJECT:

TYPE:

Accessory

Note: ASLIR5 original lamp input wire length is about 0.5 meters.

MTB-CABLE-1000-BK

Special extension cable: used between MTB power splitter and ASLIR5 showcase lamp, total length 1m,



Dedicated MTB power dividers and extension cords must be ordered separately (<http://www.waclighting.com.cn/products/detail/3147>).

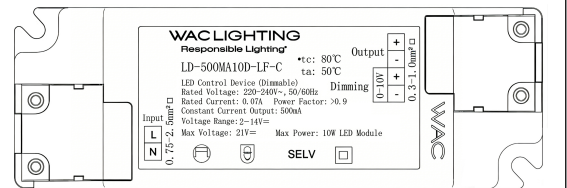
4LD-500MA10D-LF-C

ASLIR5FLM-N Special electrical appliance:

input 220V~240V AC / 50Hz, output 500mA, 3~20V

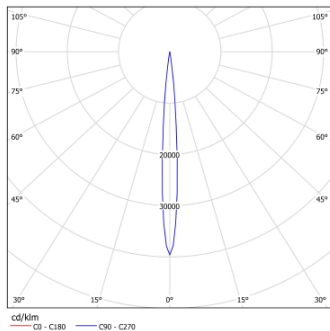
Support 0-10V dimming

dimension (L*W*H): 121*41*22



Note: ASLIR5FLM-N original lamp input wire length is about 0.3 meters. ASLIR5FLM-N special

LIGHT DISTRIBUTION@3000K LUMINAIRE DATA



MODEL : ASLIR5FLM Narrow Angle

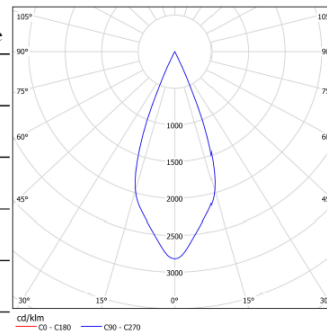
BEAM ANGLE: 8°

POWER : Electrics-free

LUMENS : 78lm

CBCP : 3098cd

EFFICACY : /



MODEL : ASLIR5FLM Wide Angle

BEAM ANGLE: 40°

POWER : Electrics-free

LUMENS : 199lm

CBCP : 560cd

EFFICACY : /

LEDME II - MODEL: ASLIR5FLM-*R

Recessed Showcase Lighting

WAC ARCHITECTURAL

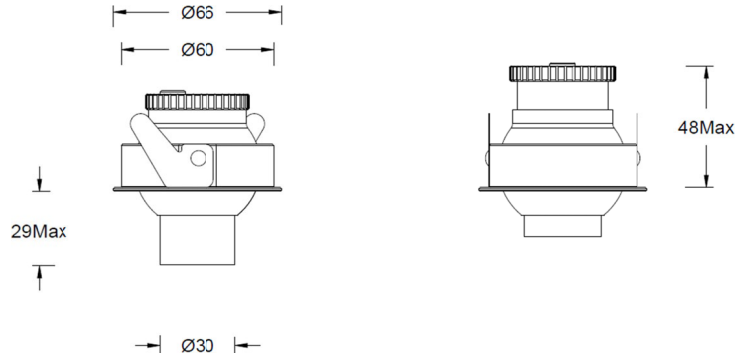
PROJECT:

TYPE:

Product Image



Line Drawing



Product Description

LED me II series display case light products are simple and compact in appearance, using WAC's leading SUBROSA anti-glare technology, with precise adjustable focus lighting design, which can be very convenient to adjust the light spot according to the characteristics of the exhibition. According to different display cases or application scenarios, the creative use of patented structural design, can support the focus operation from the front or from the back (dual use of one lamp), to meet the needs of different exhibitions, suitable for museum display cases and high-end art exhibitions.

Product Features

- Body Material: Aluminum alloy die-casting
- Optical System: Zoom optical lens +SUBROSA
- Finish: Liquid spraying, (BK)
- Adjustable Angle: Adjust horizontally in any direction; vertical - 30~30°
- Accessories: Extension cable is optional
- Certification: CQC
- IP Rating: IP20
- Insulation Level: Class III
- Operating Temperature: -20°C~40°C

Product Specifications

- Cut-out: Ø62mm
- Ceiling Thickness: 5~15mm
- LED Type: High-Power LED
- LED power: 6W
- Source Lm: 480lm(3000K) / 510lm (4000K)
- LED Lifetime: >50000h-L70 / B10-Ta25°C(LM-80/TM-21)
- CCT/CRI: 3000K / 4000K , Ra90或Ra97(>Ra95)
- SDCM: 3 SDCM
- Input: 220~240VAC / 50Hz
- Dimming: For matching WAC special appliances, see accessories
- Net Weight: 0.35Kg without packing

Order Model

Model	LED	Drive	Beam	CRI	CCT	Finish
ASLIR5F LEDme II	LM LED 6W	NR Single Wire ER ON-OFF DR 0-10V Dimming	F 8°~ 40°	9 Ra90 A Ra97	30 3000K 40 4000K	BK Black WT White
ASLIR5F	LM	NR	F	9	30	BK

Example : ASLIR5FLM-NRF930BK

WAC Lighting
www.waclighting.com (US)
www.waclighting.net (International)

Headquarters
44 Harbor Park Drive • Port Washington, NY
Phone (516) 515.5000 • Fax (516) 515.5050

WAC GROUP
TECHNOLOGY ILLUMINATED

LEDME II - MODEL: ASLIR5FLM-*R

Recessed Showcase Lighting

WAC ARCHITECTURAL

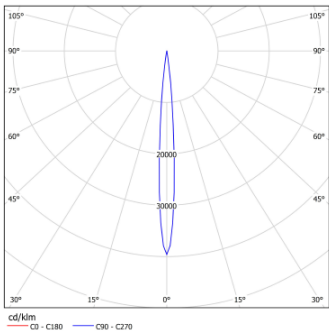
PROJECT:

TYPE:

Accessory

/

LIGHT DISTRIBUTION@3000K LUMINAIRE DATA



MODEL : ASLIR5FLM Narrow Angle

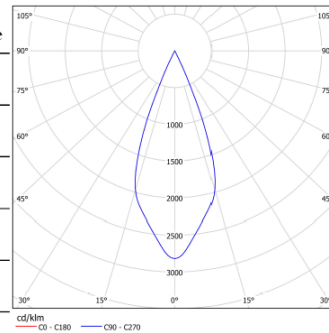
BEAM ANGLE: 8°

POWER : 7.5W

LUMENS : 78lm

CBCP : 3098cd

EFFICACY : 10 lm/W



MODEL : ASLIR5FLM Wide Angle

BEAM ANGLE: 40°

POWER : 7.5W

LUMENS : 199lm

CBCP : 560cd

EFFICACY : 27 lm/W