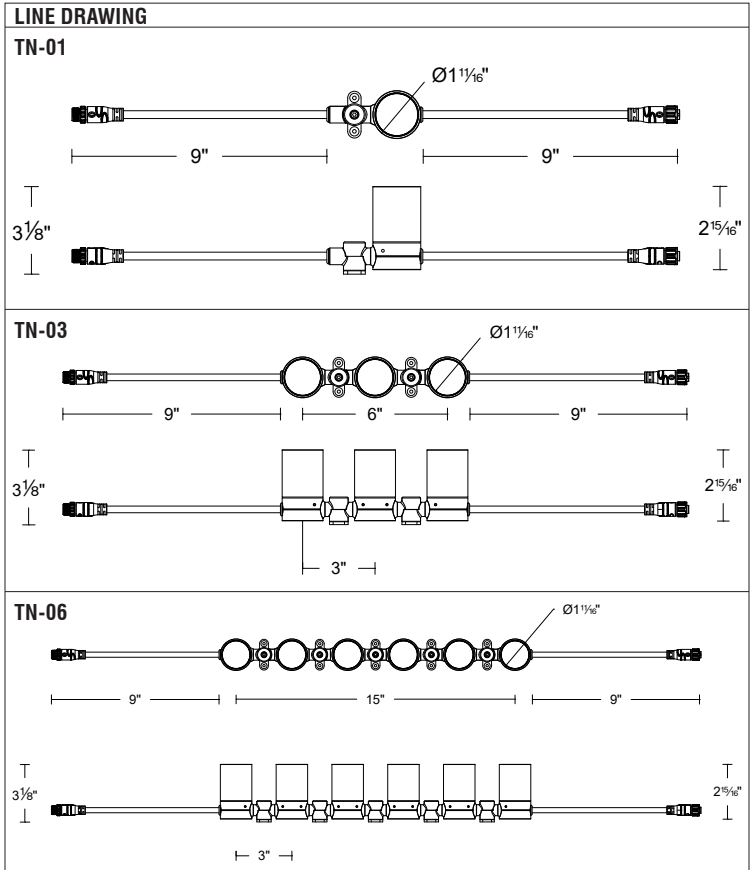


Trinity Outdoor Chain Lights

TN01 | TN03 | TN06

Fixture Type: _____
 Project: _____
 Catalog#: _____
 Location: _____



PRODUCT DESCRIPTION

Trinity is a professional LED flexible linear light designed by WAC for high-end outdoor lighting applications. With its compact form and all-glass surface design, Trinity offers a clean, elegant aesthetic suited for modern architectural environments. Its multi-directional adjustable angles accommodate a variety of applications. A wide range of accessories is available to support diverse installation requirements and lighting solutions.

SPECIFICATIONS

| | |
|-------------------------------------|--|
| Construction: | Durable die-cast aluminum construction |
| Mounting: | Outdoor installation |
| Light Source: | 3-step Mac Adam Ellipse Rated life of 50,000 hours at L70 |
| Input: | 24 VDC, Class II |
| Power: | 6W (TN01), 16W (TN03), 33W (TN06) |
| Maximum Delivered Intensity: | Up to 780 cd per head |
| Maximum Delivered Output: | Up to 100 lm per head |
| Operating Temperature: | -4°F to 122°F (-20°C to 50°C) |
| Standards: | UL & cUL Wet location listed, IP65 |
| Warranty: | 5 year WAC Lighting guaranteed warranty |

BEAM ANGLES



| Model | Size | Beam | *Lumens | *CBCP |
|-------|------|-----------|---------|-------|
| TN | 01 | S 15° | 124 | 783 |
| | | N 25° | 130 | 497 |
| | | W 60° | 91 | 74 |
| | | E 35°x45° | 100 | 168 |
| | 03 | S 15° | 379 | 2,233 |
| | | N 25° | 392 | 1,539 |
| | | W 60° | 273 | 223 |
| | | E 35°x45° | 297 | 505 |
| | 06 | S 15° | 758 | 4,466 |
| | | N 25° | 783 | 3,077 |
| | | W 60° | 547 | 445 |
| | | E 35°x45° | 595 | 1,012 |

*Lumens and CBCP are reference values for 3000K Color Temperature. Refer to Multiplier Table in Performance Data to determine other outputs.

Trinity Outdoor Chain Lights

TN01 | TN03 | TN06

Fixture Type: _____
 Project: _____
 Catalog#: _____
 Location: _____

ORDERING INFORMATION

| CONFIGURATION TABLE | | | | |
|---------------------|--------------------------------|---------------------|--|-------------------|
| Model & Power | Color Temperature & CRI | Dimming | Beam Angle | Housing Finish |
| TN01 | RGBW30 - 3000K - 80 CRI | D - DMX512-A | S - Spot 15° | BK - BLACK |
| TN03 | RGBW40 - 4000K - 80 CRI | | N - Narrow Flood 25° | |
| TN06 | RGBW57 - 5700K - 80 CRI | | W - Wide Flood 60° E - Elongating 35° x 45° | |

TN__-RGBW__D-_-BK

Example: TN03-RGBW40D-W-BK

| ACCESSORIES | |
|------------------------|--|
| WL-LW01-BK | Window Light Lead In Cable - 1ft |
| WL-LW05-BK | Window Light Lead In Cable - 5ft |
| WL-LW10-BK | Window Light Lead In Cable - 10ft |
| WL-LW20-BK | Window Light Lead In Cable - 20ft |
| WL-LW25-BK | Window Light Lead In Cable - 25ft |
| WL-JC01-BK | Window Light Jumper Cable - 1ft |
| WL-JC05-BK | Window Light Jumper Cable - 5ft |
| WL-JC10-BK | Window Light Jumper Cable - 10ft |
| WL-JC20-BK | Window Light Jumper Cable - 20ft |
| WL-JC25-BK | Window Light Jumper Cable - 25ft |
| WL-JCY01-BK | Window Light 3 Way Jumper Cable - 1ft |
| WL-JCY05-BK | Window Light 3 Way Jumper Cable - 5ft |
| WL-JCY10-BK | Window Light 3 Way Jumper Cable - 10ft |
| WL-JCY20-BK | Window Light 3 Way Jumper Cable - 20ft |
| WL-JCY25-BK | Window Light 3 Way Jumper Cable - 25ft |
| WL-JC-ENDCAP-BK | Window Light Cable End Cap |
| TN-SHR-BK | Trinity Asymmetric Shroud - Black |
| TN-SNT-BK | Trinity Symmetric Snoot - Black |
| TN-SMB-BK | Trinity Surface Mount Bracket - Black |
| TN-SMBS-BK | Trinity Surface Mount Bracket Spacer - Black |
| TN-SMA-BK | Trinity Stake Mount Adapter 9" Stake - Black |
| TN-TMB-BK | Trinity Strap Mount Bracket - Black |
| TN-STRAP-BK | Trinity Strap - Black |
| TN-HCL-BK | Trinity Honeycomb Louver - Black |
| TN-LEN-BEL-H | Trinity Horizontal Elongating Beam Lens |
| TN-LEN-BEL-V | Trinity Vertical Elongating Beam Lens |
| TN-LEN-BEL-U | Trinity Elongating Beam Lens |
| 9000-ST9-BZ | Landscape Stake - Bronze |

Trinity
Outdoor Chain Lights

TN01 | TN03 | TN06

Fixture Type: _____
 Project: _____
 Catalog#: _____
 Location: _____

FEATURES

| | |
|--|--|
| <p>Optics:</p> <ul style="list-style-type: none"> • Full RGBW range available at three different CCTs of 3000K, 4000K, and 5700K | <p>Construction:</p> <ul style="list-style-type: none"> • Durable die-cast aluminum construction |
| <p>LED:</p> <ul style="list-style-type: none"> • High output LED with a 3-step Mac Adam ellipse • Rated operational life of 50,000 hours at L70 (LED maintains 70% of its initial delivered lumens when brand new for 50,000 hours of use.) | <p>Trim and Reflector:</p> <ul style="list-style-type: none"> • Beam angles of 15°, 25°, 60°, and an elongating 35° x 45° are available |
| <p>Electrical:</p> <ul style="list-style-type: none"> • Trinity is a low voltage fixture with an operating voltage of 24 VDC | <p>Installation:</p> <ul style="list-style-type: none"> • Trinity is suitable for outdoor installations and is IP65 wet location listed |
| <p>Dimming:</p> <ul style="list-style-type: none"> • DMX512-A is integrated for dimming control | <p>Warranty:</p> <ul style="list-style-type: none"> • WAC Architectural limited warranty up to 5 years • Full warranty found at: wacighting.com/warranty |
| <p>Notes:</p> <ul style="list-style-type: none"> • The Black finish is electrostatically powder coated | |

Trinity Outdoor Chain Lights

TN01 | TN03 | TN06

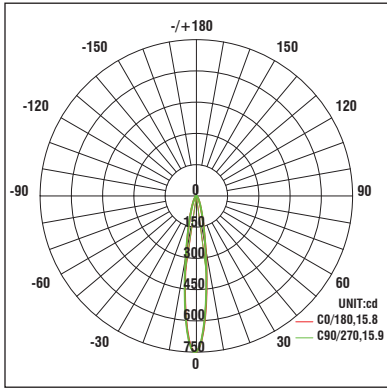
Fixture Type: _____
 Project: _____
 Catalog#: _____
 Location: _____

PERFORMANCE DATA

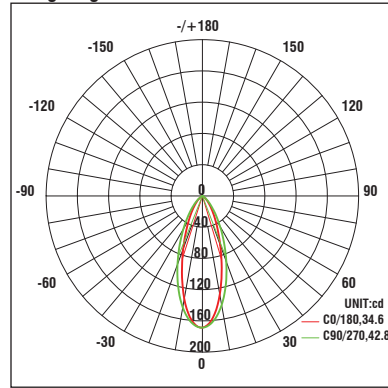
Polar Candela Distribution Charts

Samples shown from a fixture set to 3000K.

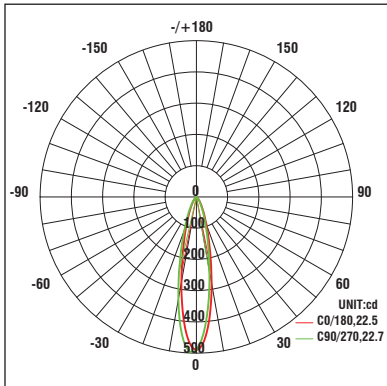
Spot Beam: 15°



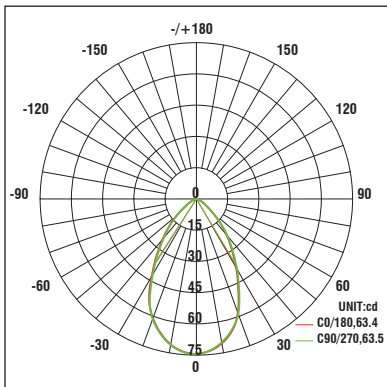
Elongating Beam: 35° x 45°



Narrow Flood Beam: 25°



Wide Flood Beam: 60°



Trinity
Outdoor Chain Lights

TN01 | TN03 | TN06

Fixture Type: _____
 Project: _____
 Catalog#: _____
 Location: _____

PERFORMANCE DATA

Unified Glare Rating (UGR) Table

Samples shown from a fixture set to 3000K.

| Round Fixture | Angle | UGR Range |
|---------------|-----------|-----------|
| Spot | 15° | ≤17 |
| Narrow Flood | 25° | ≤16 |
| Wide Flood | 60° | ≤22 |
| Elongating | 35° x 45° | ≤20 |

Lumens and CBCP Multiplier Table

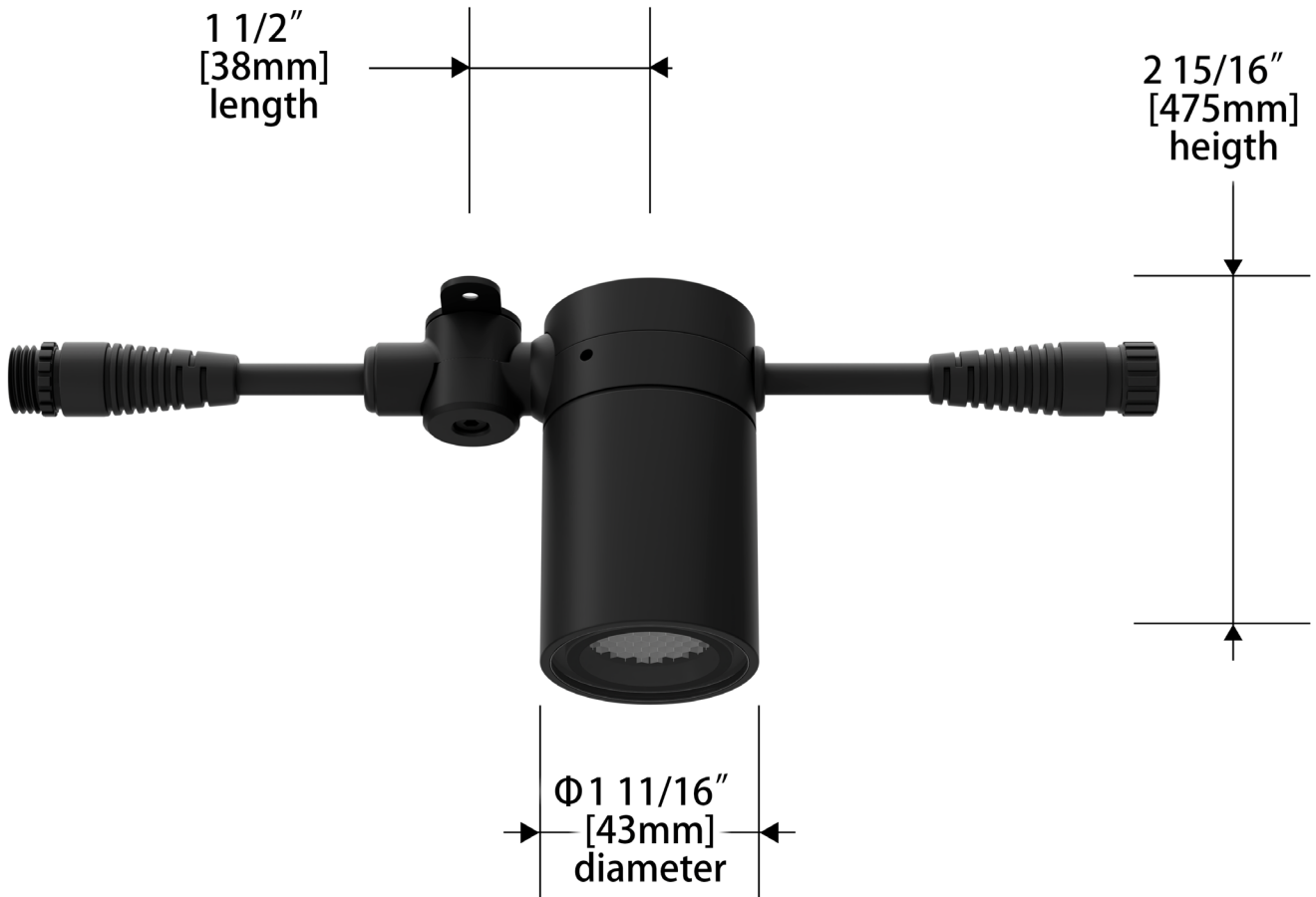
Use the below table to determine lumens and CBCP values for the combinations of power, color temperature, and CRI values.

| Color Temperature | | | | |
|-------------------|-------|-------|-------|-------|
| 2700K | 3000K | 3500K | 4000K | 5000K |
| 0.96 | 1.00 | 1.02 | 1.07 | 1.12 |

Trinity
Outdoor Chain Lights
TN01 | TN03 | TN06

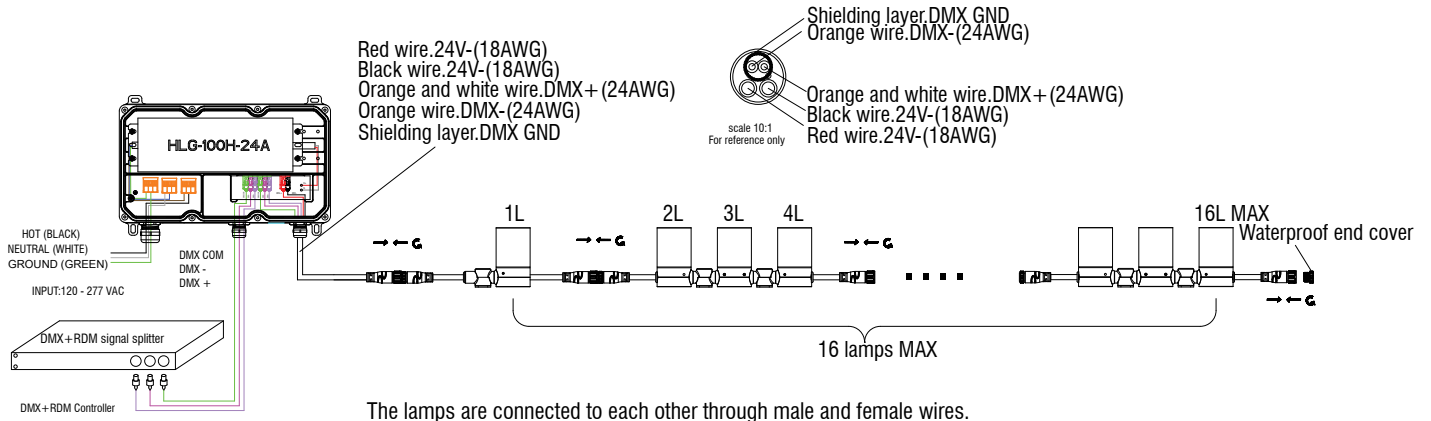
Fixture Type: _____
Project: _____
Catalog#: _____
Location: _____

DIMENSIONAL DIAGRAMS



Fixture Type: _____
 Project: _____
 Catalog#: _____
 Location: _____

WIRING DIAGRAM



The lamps are connected to each other through male and female wires.
 One drive with 16 lamps

Please connect the wires according to the labels on the wires
Direct connection to high voltage is prohibited!