

LEDME II - MODEL: ASLIR3FLD

Recessed Showcase Lighting

WAC ARCHITECTURAL

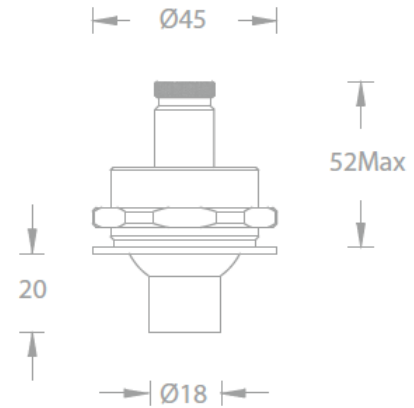
Project:

Type:

Product Image



Line Drawing



Product Description

LEDme II series display case light products are simple and compact in appearance, using WAC's leading SUBROSA anti-glare technology, with accurate adjustable focus light distribution design, and according to the characteristics of high-end display cases, to provide the structure of the back focus. It can be very convenient to adjust the spot according to the characteristics of the exhibition to meet the needs of different exhibitions, and is suitable for museum display cases and high-end art exhibitions.

Product Features

- **Body Material:** Die-cast aluminum body
- **Optical System:** Lens+SUBOROSA optical
- **Finish:** Liquid coating Black
- **Adjustable Angle:** 360° horizontal aiming and -30°-+30° vertical aiming
- **Accessories:** extension wires
- **Certification:** CQC
- **IP rating:** IP20
- **Insulation Level:** Class III
- **Operating temperature:** -20°C~40°C

Product Specifications

- **Cut-out:** Ø39mm
- **Ceiling Thickness:** 1~13mm
- **Led type:** High-Power LED
- **Source power:** 2W
- **Source Lm:** 175lm(3000K) / 185lm (4000K)
- **LED lifetime:** >50000h-L70 / B10-Ta25°C(LM-80/TM-21)
- **CCT/CRI:** 3000K / 4000K , >Ra90 和 Ra97(>Ra95)
- **SDCM:** 3 SDCM
- **Input:** 3V DC
- **Dimming:** Use MTB DRIVER of WAC
- **Net Weight:** 0.08Kg without packing

Order Model

Model	LED	Drive	Beam	CRI	CCT	Finish
ASLIR3F LEDme II	LD LED 2W	M MTB driver	F 6°~ 40°	9 Ra90	30 3000K	BK Black
		N Single wire		A Ra97	40 4000K	
ASLIR3F	LD	M	F	9	30	BK

Example: ASLIR3FLD-MF930BK

Remarks: not included driver

WAC Lighting
www.waclighting.com (US)
www.waclighting.net (International)

Headquarters
44 Harbor Park Drive • Port Washington, NY
Phone (516) 515.5000 • Fax (516) 515.5050

WAC GROUP
TECHNOLOGY ILLUMINATED

LEDME II - MODEL: ASLIR3FLD

Recessed Showcase Lighting

WAC ARCHITECTURAL

Project:

Type:

Accessories

AMTB-CABLE-1000-BK

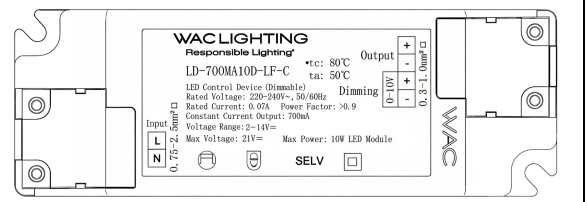
extension wires : Length 1m



Remarks: ASLIR3 input wires length:0.5米。

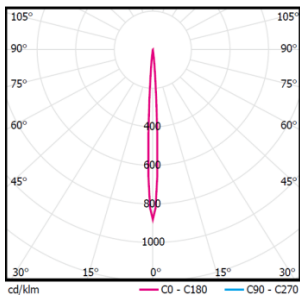
A4LD-700MA10D-LF-C

ASLIR3FLD-N Driver: Input 220V~240V AC / 50Hz, output
0-10V dimming, with 1-4 PCS fixture
700mA, 2~14V Size(L*W*H): 121*41*22mm

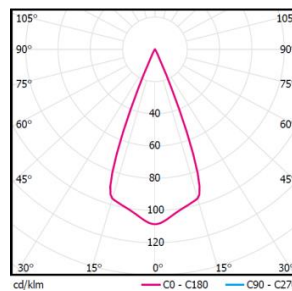


Remarks: not included driver

Light distribution@3000K data



Model:	ASLIR3FLD Narrow angle
Beam angle:	6°
Power:	2W
Lumens:	13lm
CBCP:	880cd
Efficacy:	7lm/W



Model:	ASLIR3FLD Wide angle
Beam angle:	40°
Power:	2W
Lumens:	45lm
CBCP:	109cd
Efficacy:	23lm/W

LEDME II - MODEL: ASLIR3FLM

Recessed Showcase Lighting

WAC ARCHITECTURAL

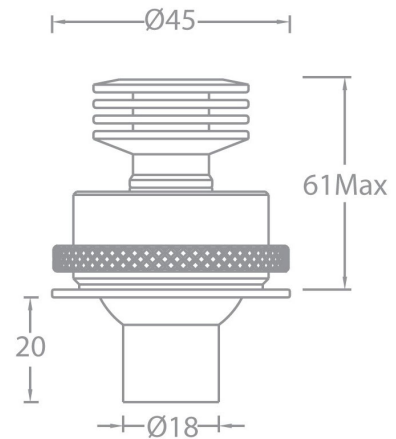
Project:

Type:

Product Image



Line drawing



Product Features

LEDme II series display case light products are simple and compact in appearance, using WAC's leading SUBROSA anti-glare technology, with accurate adjustable focus light distribution design, and according to the characteristics of high-end display cases, to provide the structure of the back focus. It can be very convenient to adjust the spot according to the characteristics of the exhibition to meet the needs of different exhibitions, and is suitable for museum display cases and high-end art exhibitions.

Product Description

- **Body Material:** Die-cast aluminum body
- **Optical system:** Lens+SUBOROSA optical system
- **Finish:** Liquid coating Black
- **Adjustable angle:** 360° horizontal aiming and -30~30° vertical aiming
- **Accessories:** /
- **Certification:** CQC
- **IP rating:** IP20
- **Insulation Level:** Class III
- **Operating temperature:** -20°C~40°C

Product Specifications

- **Cut-out:** Ø39mm
- **Ceiling Thickness:** 1~13mm
- **Led Type:** High-Power LED
- **Source power:** 4.5W
- **Source Lm:** 410lm(3000K) / 440lm (4000K)
- **Led lifetime:** >50000h-L70 / B10-Ta25°C(LM-80/TM-21)
- **CCT/CRI:** 3000K / 4000K , >Ra90 和 Ra97(>Ra95)
- **SDCM:** 3 SDCM
- **Input:** 350mA max , 12V DC
- **Dimming:** According to the driver
- **Net weight:** 0.1Kg without packing

Order Model

Model	LED	Drive	Beam	CRI	CCT	Finish
ASLIR3F LEDme II	LM LED 4.5W	N Single wire	F 7°~ 40°	9 Ra90 A Ra97	30 3000K 40 4000K	BK Black
ASLIR3F	LM	N	F	9	30	BK

Example: ASLIR3FLM-NF930BK

Remarks: not included driver

WAC Lighting
www.waclighting.com (US)
www.waclighting.net (International)

Headquarters
44 Harbor Park Drive • Port Washington, NY
Phone (516) 515.5000 • Fax (516) 515.5050

WAC GROUP
TECHNOLOGY ILLUMINATED

WAC Lighting reserves the right to periodically design and update products. 2025-08-12

LEDME II - MODEL: ASLIR3FLM

Recessed Showcase Lighting

WAC ARCHITECTURAL

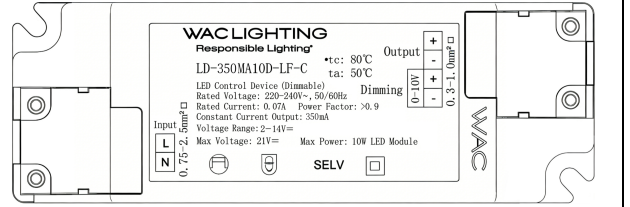
Project:

Type:

Accessory

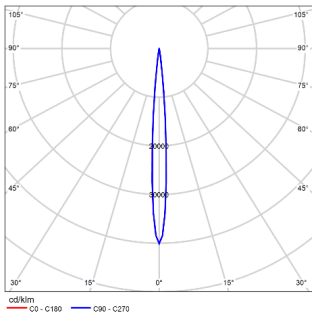
A4LD-350MA10D-LF-C

Driver: input 220V~240V AC / 50Hz, output 350mA, 6-30V
0-10V dimming, with 1-2pcs fixture
Size(L*W*H): 121*41*22, mm

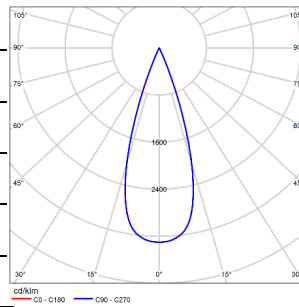


Remarks: not included driver

Light distribution@3000K data



Model: ASLIR3FLM narrow
Beam angle: 7°
Power: 4.5W
Lumens: 30lm
CBCP: 1206cd
Efficacy: 7lm/W



Model: ASLIR3FLM wide
Beam angle: 40°
Power: 4.5W
Lumens: 88lm
CBCP: 292cd
Efficacy: 20lm/W