

## Volta

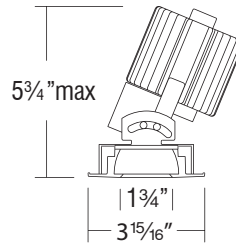
### Tunable White - 2" Pinhole

R2RPT | R2SPT

Fixture Type: \_\_\_\_\_  
 Project: \_\_\_\_\_  
 Catalog#: \_\_\_\_\_  
 Location: \_\_\_\_\_



#### LINE DRAWING



#### PRODUCT DESCRIPTION

Volta 2" Tunable White recessed series represents an innovation in design and technology for architectural lighting. This high lumen and adaptable family of fixtures with a comprehensive set of round and square fittings, affords a sustainable solution for commercial, corporate, and upscale residential applications. The Pinhole Volta fixtures are capable of adjusting 0-30° vertically and 365° horizontally with locking positions.

#### SPECIFICATIONS

**Construction:** Durable die-cast self flanged aluminum construction

**Mounting:** Heavy gauge retention clips support trim firmly  
 Ceiling cut out (Round): Trim  $\varnothing$   $3\frac{9}{16}"$   $\bigcirc$   
 Invisible  $\varnothing$   $4\frac{1}{4}"$   $\bigcirc$   
 Ceiling cut out (Square): Trim  $3\frac{9}{16}"$  x  $3\frac{9}{16}"$   $\square$   
 Invisible  $4\frac{1}{4}"$  x  $4\frac{1}{4}"$   $\square$   
 Accommodates  $\frac{1}{2}"$  -  $1\frac{1}{2}"$  ceiling thickness

**Light Source:** High output 3-step Mac Adam Ellipse COB  
 Rated life of 50,000 hours at L70

**Input:** Universal 120-277V AC, 50/60 Hz

**Dimming:** 2 Channel 0-10V: 100-0.1%  
 2 Channel DMX512-A with RDM: 100-0.1% linear dimming. Channels for intensity and CCT tuning.

**Maximum Delivered Intensity:** Up to 3,814 cd (Square Narrow Flood 25°, TWB 5000K, CRI 98)

**Maximum Delivered Output:** Up to 549 lm (Square Narrow Flood 25°, TWA 4000K, CRI 98)

**Standards:** ETL & cETL Wet location listed

**Warranty:** 5 year WAC Lighting guaranteed warranty

#### BEAM ANGLES



#### FINISHES



Model	Beam		Lumens Ref Output*	CBCP	Color Temp	CRI
R2RPT	Round	N 25° Round	380	2320	<b>TWA</b> 1800-4000K	98
		Square	495	3010		
R2SPT	Square	N 25° Round	360	2625	<b>TWB</b> 2700-6500K	98
		Square	470	3405		

Lumens and CBCP are reference values for **TWA/TWB** trim tuned to 3000K Color Temperature with 22 housing. Refer to Multiplier Table in Performance Data to determine other outputs.

wacarchitectural.com | WAC Architectural, a WAC Group brand.

WAC Group Headquarters  
 44 Harbor Park Drive  
 Port Washington, NY 11050

WAC Architectural  
 Phone (800) 526.2588  
 Fax (800) 526.2585



APR 2026 | P. 1 of 8

WAC GROUP

## Volta

### Tunable White - 2" Pinhole

R2RPT | R2SPT

Fixture Type: \_\_\_\_\_  
 Project: \_\_\_\_\_  
 Catalog#: \_\_\_\_\_  
 Location: \_\_\_\_\_

### ORDERING INFORMATION

Model & Power	Beam	Color Temperature & CRI	Reflector Finish	Trim Finish
<b>R2RPT</b> <b>R2SPT</b>	<b>N - 25°</b>	<b>TWA - 1800K-4000K</b> <b>TWB - 2700K-6500K</b>	<b>BK - BLACK</b> <b>CB - COPPER</b> <b>HZ - HAZE</b> <b>WT - WHITE</b>	<b>WT - WHITE</b>

R2RPT-\_\_\_\_-\_\_

Example: R2RPT-NTWA-WT

HOUSINGS (Required)				
Model	Trim	Power	Driver	
New Construction Airtight - Round R2RN	<b>T</b> <i>Trim</i>	<b>15</b> 15W IC	<b>T-X</b>	DMX512-A
	<b>L</b> <i>Invisible Trim</i>	<b>22</b> 22W Non-IC	<b>T-Z</b>	2CH 0-10V
New Construction Airtight - Square R2SN	<b>T</b> <i>Trim</i>	<b>15</b> 15W IC	<b>T-X</b>	DMX512-A
	<b>L</b> <i>Invisible Trim</i>	<b>22</b> 22W Non-IC	<b>T-Z</b>	2CH 0-10V
Remodel Non-IC Round & Square R2BR	<b>T</b> <i>Trim</i>	<b>15</b> 15W IC	<b>T-X</b>	DMX512-A
		<b>22</b> 22W IC	<b>T-Z</b>	2CH 0-10V
Remodel Non-IC Round R2RR	<b>L</b> <i>Invisible Trim</i>	<b>15</b> 15W IC	<b>T-X</b>	DMX512-A
		<b>22</b> 22W IC	<b>T-Z</b>	2CH 0-10V
Remodel Non-IC Square R2SR	<b>L</b> <i>Invisible Trim</i>	<b>15</b> 15W Non-IC	<b>T-X</b>	DMX512-A
		<b>22</b> 22W Non-IC	<b>T-Z</b>	2CH 0-10V

ACCESSORIES			
LENS-16-HLD	<i>Accessory Holder</i>	LENS-16RED	<i>Red Lens</i>
LENS-16HCM	<i>Honeycomb Louver</i>	LENS-16FR	<i>Frosted Lens</i>
LENS-16CRL	<i>Cross Louver</i>	LENS-16SPR	<i>Spread Lens</i>
LENS-16AMB	<i>Amber Lens</i>	LENS-16BEL	<i>Beam Elongating Lens</i>
LENS-16BLU	<i>Blue Lens</i>		
LENS-16GRN	<i>Green Lens</i>		

CEILING ADAPTERS	
R2R-ADP1	<i>Round - ½" to 1" ceiling thickness</i>
R2R-ADP2	<i>Round - 1" to 1½" ceiling thickness</i>
R2S-ADP1	<i>Square - ½" to 1" ceiling thickness</i>
R2S-ADP2	<i>Square - 1" to 1½" ceiling thickness</i>

INTERCHANGEABLE REFLECTORS	
REF-R2-N	<i>Narrow Flood Beam</i>

ORDERING NOTES
1. The "White" trim finish is only available with the reflector finishes "Black" and "Haze".
2. The "Narrow Flood - 25°" beam angle is available in 15W and 22W.

wacarchitectural.com | WAC Architectural, a WAC Group brand.

WAC Group Headquarters  
 44 Harbor Park Drive  
 Port Washington, NY 11050

WAC Architectural  
 Phone (800) 526.2588  
 Fax (800) 526.2585

APR 2026 | P. 2 of 8

WAC GROUP

Volta  
Tunable White - 2" Pinhole  
R2RPT | R2SPT

Fixture Type: \_\_\_\_\_  
Project: \_\_\_\_\_  
Catalog#: \_\_\_\_\_  
Location: \_\_\_\_\_

**FEATURES**

<p><b>Optics:</b></p> <ul style="list-style-type: none"> <li>• Even wall illumination both vertically and horizontally thanks to our innovative bidirectional spread lens</li> </ul>	<p><b>Construction:</b></p> <ul style="list-style-type: none"> <li>• Durable die-cast self flanged aluminum construction</li> <li>• Heavy gauge retention clips support trim firmly</li> </ul>
<p><b>LED:</b></p> <ul style="list-style-type: none"> <li>• High output COB LED with a 3-step Mac Adam ellipse</li> <li>• Rated operational life of 50,000 hours at L70 (LED maintains 70% of its initial delivered lumens when brand new for 50,000 hours of use.)</li> <li>• Natural and Vivid Precision LED CCT Tuning</li> <li>• Consistent 98 CRI across all settings</li> </ul>	<p><b>Trim and Reflector:</b></p> <ul style="list-style-type: none"> <li>• Integral patterned tempered trim lens included standard with every fixture</li> <li>• Dual finishes are made of a single piece with no physical seams</li> </ul>
<p><b>Electrical:</b></p> <ul style="list-style-type: none"> <li>• Volta is compatible with 120-277 VAC, 50/60 Hz</li> <li>• Housings are available in 15W and 22W with varying ratings and standards</li> </ul>	<p><b>Installation:</b></p> <ul style="list-style-type: none"> <li>• Requires housing for installation.</li> <li>• New Construction housings for this fixture are IC rated based on power level. The 22 power level is non-IC rated.</li> <li>• All Remodel housings are non-IC rated.</li> </ul>
<p><b>Dimming:</b></p> <ul style="list-style-type: none"> <li>• Linear dimming: 1st channel input is intensity changing, 2nd channel input is CCT changing</li> <li>• 2 Channel 0-10V: 100 - 0.1%</li> <li>• 2 Channel DMX512-A with RDM: 100 - 0.1%</li> </ul>	<p><b>Warranty:</b></p> <ul style="list-style-type: none"> <li>• WAC Architectural limited warranty up to 5 years</li> <li>• Full warranty found at: <a href="http://wacighting.com/warranty">wacighting.com/warranty</a></li> </ul>
<p><b>Notes:</b></p> <ul style="list-style-type: none"> <li>• Trim and trimless fixtures of the same shape (Round/Square) have the same performance. Minor variations occur due to fixture shape.</li> <li>• The White and Black finishes are powder coated while the Haze is enamel coated and the Copper Bronze is plated and brushed.</li> <li>• The Volta product family is compatible with a wide range of accessories.</li> <li>• Use the DMX Byte Value vs CCT table to determine how to set each CCT value.</li> </ul>	

# Volta

## Tunable White - 2" Pinhole

R2RPT | R2SPT

Fixture Type: \_\_\_\_\_

Project: \_\_\_\_\_

Catalog#: \_\_\_\_\_

Location: \_\_\_\_\_

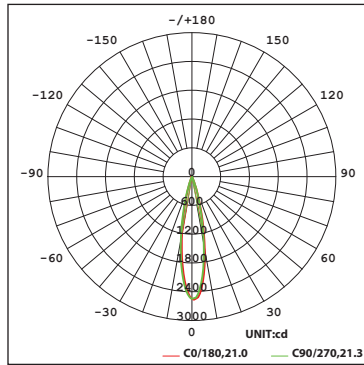
### PERFORMANCE DATA

#### Polar Candela Distribution Charts

Samples shown with a 22W fixture set to 4000K and 98 CRI.

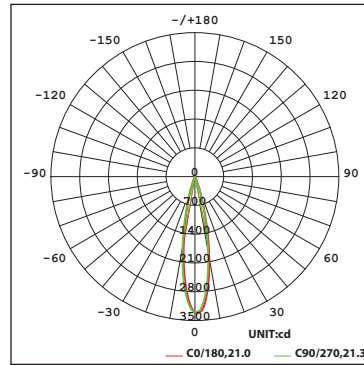
#### ROUND

Narrow Flood Beam: 25° Beam



#### SQUARE

Narrow Flood Beam: 25° Beam



## Volta

### Tunable White - 2" Pinhole

R2RPT | R2SPT

Fixture Type: \_\_\_\_\_

Project: \_\_\_\_\_

Catalog#: \_\_\_\_\_

Location: \_\_\_\_\_

### PERFORMANCE DATA

#### Unified Glare Rating (UGR) Table

UGR values shown are calculated for a Round Trim fixture with a Narrow Flood Beam (25°) optic at 4000K and 98 CRI. General performance of other beam angles shown below.

ceiling/cavity	0.7	0.7	0.5	0.5	0.3	0.7	0.7	0.5	0.5	0.3	
walls	0.5	0.3	0.5	0.3	0.3	0.5	0.3	0.5	0.3	0.3	
working plane	0.2	0.2	0.2	0.2	0.2	0.2	0.2	0.2	0.2	0.2	
Room dimensions	Viewed crosswise					Viewed endwise					
<b>x = 2H y = 2H</b>	-11.4	-10.8	-11.1	-10.6	-10.4	-10.8	-10.2	-10.5	-10.0	-9.8	
3H	-9.4	-8.9	-9.1	-8.6	-8.3	-10.6	-10.1	-10.3	-9.8	-9.5	
4H	-3.5	-3.0	-3.1	-2.7	-2.4	-9.9	-9.4	-9.6	-9.1	-8.8	
6H	-1.1	-0.6	-0.8	-0.3	0.0	-9.6	-9.1	-9.2	-8.8	-8.5	
8H	-0.5	0.0	-0.1	0.3	0.7	-9.6	-9.1	-9.2	-8.8	-8.4	
12H	0.0	0.5	0.4	0.8	1.2	-9.6	-9.1	-9.2	-8.8	-8.4	
<b>4H</b>	2H	-11.4	-10.9	-11.1	-10.6	-10.3	-10.8	-10.3	-10.5	-10.0	-9.7
3H	-7.7	-7.2	-7.3	-6.9	-6.5	-10.2	-9.8	-9.9	-9.4	-9.1	
4H	-2.0	-1.6	-1.6	-1.2	-0.8	-9.0	-8.6	-8.6	-8.2	-7.8	
6H	0.3	0.7	0.8	1.1	1.5	-8.6	-8.2	-8.1	-7.8	-7.3	
8H	1.0	1.3	1.5	1.8	2.3	-8.5	-8.1	-8.0	-7.7	-7.2	
12H	1.5	1.8	2.0	2.3	2.8	-8.5	-8.2	-8.0	-7.7	-7.2	
<b>8H</b>	4H	-1.8	-1.5	-1.3	-1.0	-0.6	-7.3	-6.9	-6.8	-6.5	-6.0
6H	0.7	1.0	1.2	1.5	2.0	-6.6	-6.3	-6.1	-5.8	-5.3	
8H	1.5	1.8	2.1	2.3	2.9	-6.5	-6.2	-6.0	-5.7	-5.2	
12H	2.2	2.4	2.7	2.9	3.5	-6.5	-6.3	-5.9	-5.7	-5.1	
<b>12H</b>	4H	-1.8	-1.5	-1.4	-1.1	-0.6	-6.6	-6.3	-6.1	-5.8	-5.3
6H	0.7	0.9	1.2	1.5	2.0	-5.9	-5.6	-5.3	-5.1	-4.6	
8H	1.6	1.8	2.1	2.3	2.9	-5.7	-5.5	-5.2	-5.0	-4.4	

Round Fixture	Angle	UGR Range
Narrow Flood	25°	≤4

Square Fixture	Angle	UGR Range
Narrow Flood	25°	≤4

#### Lumens and CBCP Multiplier Table

Use the below table to determine lumens and CBCP values for the combinations of power, color temperature, and CRI values.

Lumens & CBCP Multiplier		Color Temperature					
TWA (1800K - 4000K)	Housing Power Level	1800K	2200K	2700K	3000K	3500K	4000K
	22 (22W)	0.68	0.82	0.94	1.00	1.07	1.11
	15 (15W)	0.46	0.56	0.64	0.68	0.73	0.75
TWB (2700K - 6500K)	Housing Power Level	2700K	3000K	3500K	4000K	5000K	6500K
	22 (22W)	0.96	1.00	1.06	1.09	1.12	1.11
	15 (15W)	0.65	0.68	0.72	0.74	0.76	0.75

# Volta

## Tunable White - 2" Pinhole

R2RPT | R2SPT

Fixture Type: \_\_\_\_\_

Project: \_\_\_\_\_

Catalog#: \_\_\_\_\_

Location: \_\_\_\_\_

### PERFORMANCE DATA

#### NATURAL TUNABLE WHITE CCT TUNING:

The CCT of the Volta Tunable White fixture may be adjusted.

Using the DMX byte values in the adjacent table mapped to CH1 and CH2 of the desired output, the Volta Tunable White fixture may be tuned to increments of 100K (Kelvin) from 1800K to 4000K for TWA and 2700K to 6500K for TWB, at full intensity.

**Note:** Through compatible RDM tool, fixture channels can be reassigned to desired consecutive channels. Factory default is DMX channel 1 and 2.

#### VOLTA 2" TUNABLE WHITE DMX BYTE VALUE VS CCT

##### TWA DMX BYTE VALUES AT FULL INTENSITY

CCT (K)	CH 1: INTENSITY	CH 2: CCT
4000	255	255
3900	255	253
3800	255	247
3700	255	241
3600	255	233
3500	255	225
3400	255	219
3300	255	210
3200	255	202
3100	255	193
3000	255	185
2900	255	176
2800	255	166
2700	255	154
2600	255	141
2500	255	126
2400	255	109
2300	255	82
2200	255	79
2100	255	64
2000	255	46
1900	255	26
1800	255	0

##### TWB DMX BYTE VALUES AT FULL INTENSITY

CCT (K)	CH 1: INTENSITY	CH 2: CCT
6500	255	252
6400	255	249
6300	255	245
6200	255	241
6100	255	238
6000	255	232
5900	255	229
5800	255	228
5700	255	222
5600	255	217
5500	255	212
5400	255	208
5300	255	204
5200	255	199
5100	255	194
5000	255	190
4900	255	185
4800	255	179
4700	255	173
4600	255	168
4500	255	160
4400	255	152
4300	255	144
4200	255	138
4100	255	131
4000	255	123
3900	255	115
3800	255	107
3700	255	98
3600	255	89
3500	255	80
3400	255	71
3300	255	62
3200	255	51
3100	255	41
3000	255	30
2900	255	16
2800	255	4
2700	255	0

## Volta

### Tunable White - 2" Pinhole

R2RPT | R2SPT

Fixture Type: \_\_\_\_\_

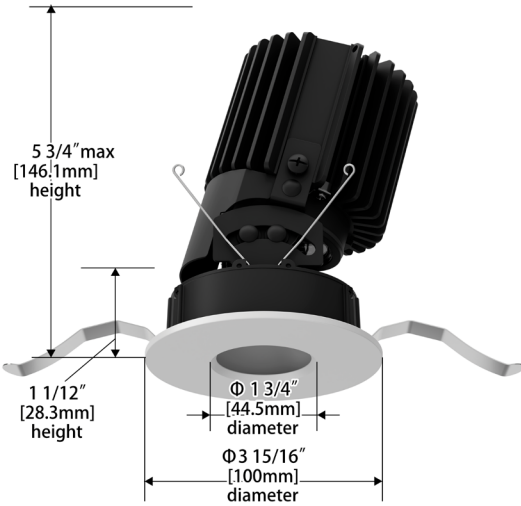
Project: \_\_\_\_\_

Catalog#: \_\_\_\_\_

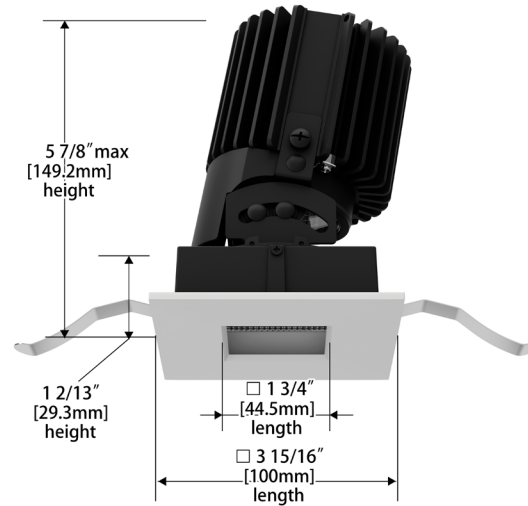
Location: \_\_\_\_\_

#### DIMENSIONAL DIAGRAMS

##### Round Trim (R2RPT)



##### Square Trim (R2SPT)



## Volta

### Tunable White - 2" Pinhole

R2RPT | R2SPT

Fixture Type: \_\_\_\_\_

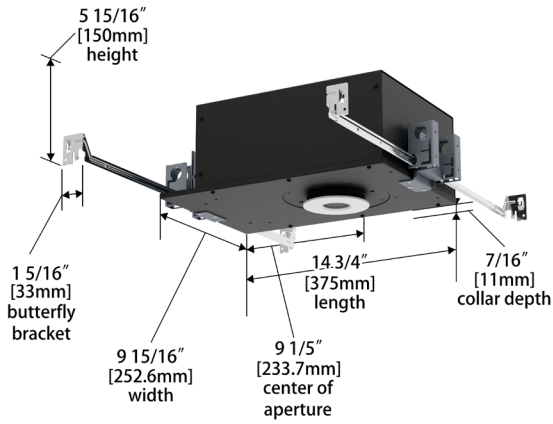
Project: \_\_\_\_\_

Catalog#: \_\_\_\_\_

Location: \_\_\_\_\_

#### DIMENSIONAL DIAGRAMS

##### New Construction - Round Trim



##### New Construction - Square Trim

