

Stealth Framing Projector

Adjustable

WTK-1210 | WHK-1210 | MO-1210

Fixture Type: _____

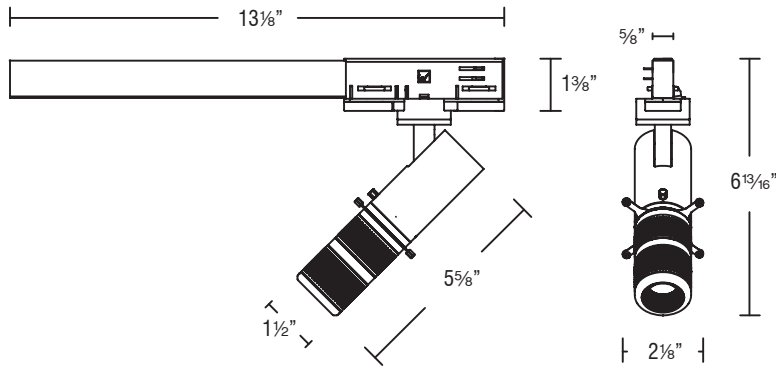
Project: _____

Catalog#: _____

Location: _____



LINE DRAWING



PRODUCT DESCRIPTION

The sleek, stylish luminaire projects a square, rectangular or circular area of light with crisp lines to frame or highlight art objects, providing maximum visual impact. Like a quality camera lens, the innovative projector contains adjustable lenses as well as shims to frame a sharp accenting light the width and length of the object. It can zoom in for a closeup or zoom out to frame larger pieces of art.

SPECIFICATIONS

Construction:	Die-cast aluminum with optical glass lenses
Mounting:	Track mounted; ceiling or wall mounted
Light Source:	Integrated LED, High output 3-step Mac Adam Ellipse Rated life of 50,000 hours at L70
Input:	Universal 120-277V AC, 50/60 Hz
Power:	12W
Dimming:	ELV, TRIAC (120V only): 100 - 5%
Maximum Delivered Intensity:	Up to 3,720 cd (4000K)
Maximum Delivered Output:	Up to 380 lm (4000K)
Operating Temperature:	-4°F to 104°F (-20°C to 40°C)
Standards:	ETL & cETL Damp location listed
Warranty:	5 year WAC Lighting guaranteed warranty

FINISHES



Model		Color Temp	Lumens	CBCP	CRI	
WTK-1210 WHK-1210 MO-1210	Ø2 1/8" Ø54mm	927	20°	340	3305	90
			35°	330	1330	
		930	20°	350	3435	
			35°	345	1380	
		935	20°	375	3645	
			35°	365	1465	
		940	20°	380	3720	
			35°	375	1500	



Stealth Framing Projector

Adjustable

WTK-1210 | WHK-1210 | MO-1210

Fixture Type: _____

Project: _____

Catalog#: _____

Location: _____

ORDERING INFORMATION

CONFIGURATION TABLE		
Model & Power	Color Temperature & CRI	Housing Finish
WTK-1210 (120V)	927 - 2700K - 90	BK - BLACK
WHK-1210 (277V)	930 - 3000K - 90	WT - WHITE
MO-1210 (12W)	935 - 3500K - 90	
	940 - 4000K - 90	

W ___ - ___ - ___

Example: WTK-1210-F940-BK

MO-1224- ___ - ___

Example: MO-1210-930-WT

ORDERING NOTES

- The WTK-35 fixture is 120V and the WHK-35 fixture is 277V. Both fixtures are track mounted.
- The MO-N35 fixture is a ceiling mounted monopoint fixture for New Construction installations. The MO-R35 fixture is a ceiling mounted monopoint fixture for Remodel installations.

Stealth Framing Projector

Adjustable

WTK-1210 | WHK-1210 | MO-1210

Fixture Type: _____

Project: _____

Catalog#: _____

Location: _____

FEATURES

<p>Optics:</p> <ul style="list-style-type: none"> • High definition zoomable projection with precision aiming • Armature capable of 360° horizontal rotation and 90° vertical aiming 	<p>Construction:</p> <ul style="list-style-type: none"> • Die-cast aluminum fixture with optical glass lenses
<p>LED:</p> <ul style="list-style-type: none"> • High output integrated LED with a 3-step Mac Adam ellipse • Rated operational life of 50,000 hours at L70 (LED maintains 70% of its initial delivered lumens when brand new for 50,000 hours of use.) 	<p>Trim and Reflector:</p> <ul style="list-style-type: none"> • Minimum zoom of 20° and a maximum zoom of 35°
<p>Electrical:</p> <ul style="list-style-type: none"> • Input power is universal 120-277VAC and 50/60 Hz • Available in a 12W power level 	<p>Installation:</p> <ul style="list-style-type: none"> • Track mounted (WTK, WHK) • Ceiling and wall mountable as a monopoint fixture (MO)
<p>Dimming:</p> <ul style="list-style-type: none"> • Electronic low voltage (ELV) and TRIAC dimming are available • ELV and TRIAC dimming are capable of a range of 100 - 5% at 120V only 	<p>Warranty:</p> <ul style="list-style-type: none"> • WAC Architectural limited warranty up to 5 years • Full warranty found at: wacighting.com/warranty
<p>Notes:</p> <ul style="list-style-type: none"> • The White and Black finishes are electrostatically powder coated 	

Stealth Framing Projector

Adjustable

WTK-1210 | WHK-1210 | MO-1210

Fixture Type: _____

Project: _____

Catalog#: _____

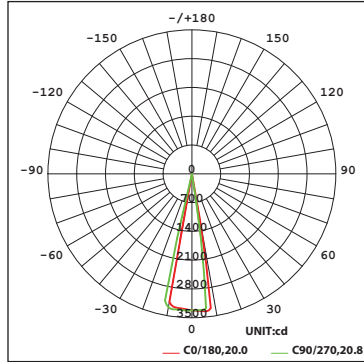
Location: _____

PERFORMANCE DATA

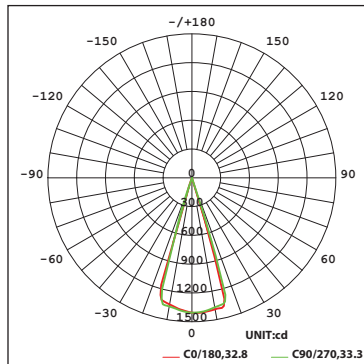
Polar Candela Distribution Charts

Samples shown with a 12W fixture with a Black finished reflector set to 3000K.

Minimum Zoom - 20°



Maximum Zoom - 35°



Stealth Framing Projector

Adjustable

WTK-1210 | WHK-1210 | MO-1210

Fixture Type: _____

Project: _____

Catalog#: _____

Location: _____

PERFORMANCE DATA

Unified Glare Rating (UGR) Table

UGR values shown are calculated for a 12W fixture at Minimum Zoom and 20° that is set to 3000K. General performance of other beam angles shown below.

ceiling/cavity	0.7	0.7	0.5	0.5	0.3	0.7	0.7	0.5	0.5	0.3	
walls	0.5	0.3	0.5	0.3	0.3	0.5	0.3	0.5	0.3	0.3	
working plane	0.2	0.2	0.2	0.2	0.2	0.2	0.2	0.2	0.2	0.2	
Room dimensions	Viewed crosswise					Viewed endwise					
x = 2H y = 2H	-11.7	-11.3	-11.5	-11.1	-11.0	-11.7	-11.3	-11.5	-11.1	-11.0	
3H	-11.3	-10.9	-11.1	-10.7	-10.5	-11.3	-10.9	-11.1	-10.7	-10.5	
4H	-11.2	-10.8	-10.9	-10.6	-10.4	-11.2	-10.8	-11.0	-10.6	-10.4	
6H	-10.8	-10.4	-10.5	-10.2	-10.0	-10.8	-10.4	-10.5	-10.2	-10.0	
8H	-10.8	-10.4	-10.5	-10.2	-10.0	-10.8	-10.4	-10.5	-10.2	-9.9	
12H	-10.2	-9.8	-9.9	-9.6	-9.3	-10.7	-10.3	-10.4	-10.1	-9.8	
4H	2H	-11.6	-11.2	-11.3	-11.0	-10.8	-11.6	-11.2	-11.3	-11.0	-10.8
	3H	-11.1	-10.7	-10.8	-10.5	-10.2	-11.1	-10.7	-10.8	-10.5	-10.2
	4H	-10.9	-10.5	-10.5	-10.3	-10.0	-10.9	-10.6	-10.6	-10.3	-10.0
	6H	-10.4	-10.1	-10.0	-9.7	-9.4	-10.4	-10.1	-10.0	-9.7	-9.4
	8H	-10.3	-10.1	-10.0	-9.7	-9.4	-10.3	-10.1	-10.0	-9.7	-9.4
	12H	-9.4	-9.2	-9.0	-8.8	-8.4	-10.1	-9.9	-9.7	-9.5	-9.1
8H	4H	-10.8	-10.5	-10.4	-10.1	-9.8	-10.8	-10.6	-10.5	-10.2	-9.9
	6H	-10.2	-9.9	-9.8	-9.5	-9.1	-10.2	-10.0	-9.8	-9.6	-9.2
	8H	-10.1	-9.9	-9.7	-9.5	-9.1	-10.2	-9.9	-9.7	-9.5	-9.1
	12H	-8.9	-8.7	-8.4	-8.3	-7.8	-9.7	-9.5	-9.2	-9.0	-8.6
12H	4H	-10.8	-10.5	-10.4	-10.2	-9.8	-10.9	-10.6	-10.5	-10.2	-9.9
	6H	-10.2	-10.0	-9.8	-9.6	-9.1	-10.2	-10.0	-9.8	-9.6	-9.2
	8H	-10.1	-10.0	-9.7	-9.5	-9.0	-10.1	-10.0	-9.7	-9.5	-9.0

Round Fixture	Angle	UGR Range
Minimum Zoom	20°	≤ 0
Maximum Zoom	35°	≤ 0

Stealth Framing Projector

Adjustable

WTK-1210 | WHK-1210 | MO-1210

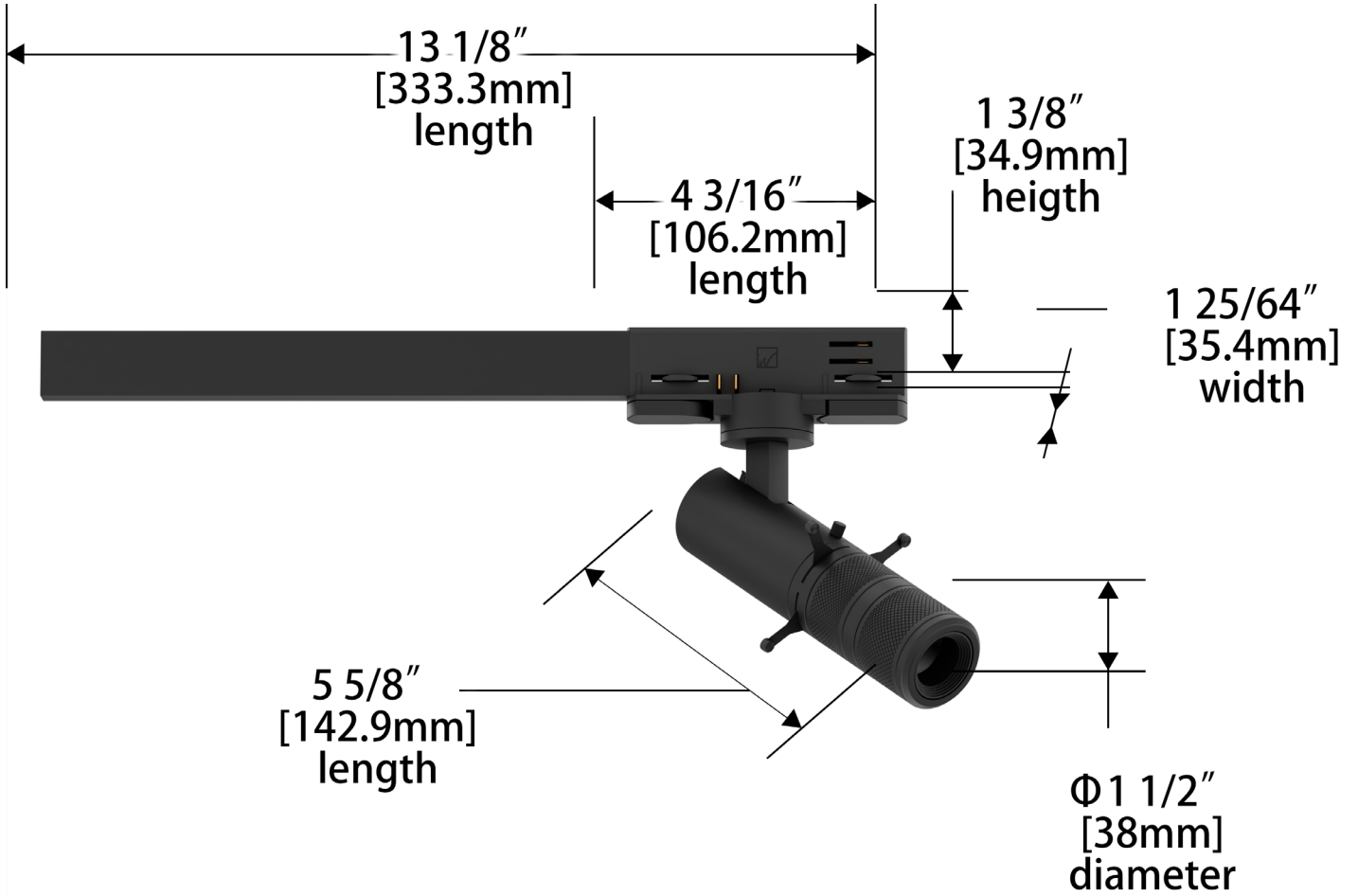
Fixture Type: _____

Project: _____

Catalog#: _____

Location: _____

DIMENSIONAL DIAGRAMS



Stealth Framing Projector

Adjustable

WTK-1210 | WHK-1210 | MO-1210

Fixture Type: _____

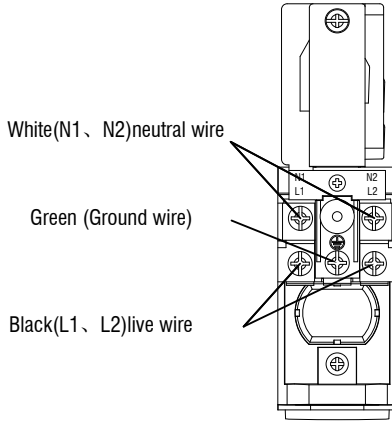
Project: _____

Catalog#: _____

Location: _____

WIRING DIAGRAM

Schematic diagram of track inlet power connection.



Reference diagram for track and track connector circuit.

