

Volta

Static White - 4.5" Adjustable

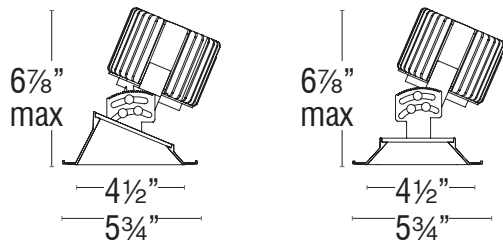
R4RAT | R4RAL | R4SAT | R4SAL

Fixture Type: _____
 Project: _____
 Catalog#: _____
 Location: _____

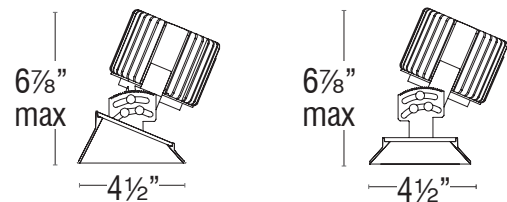


LINE DRAWING

TRIM



TRIMLESS



PRODUCT DESCRIPTION

Volta LED downlight series represents an innovation in design and technology for architectural lighting. This high lumen and adaptable family of fixtures with a comprehensive set of round and square fittings, affords a sustainable solution for commercial, corporate, and upscale residential applications. The Adjustable Volta fixtures are capable of adjusting 0-45° vertically and 365° horizontally with locking positions.

SPECIFICATIONS

Construction:	Durable die-cast self flanged aluminum construction
Mounting:	Heavy gauge retention clips support trim firmly Ceiling cut out (Round): Trim \varnothing 5 $\frac{1}{8}$ " \bigcirc Trimless \varnothing 5 $\frac{1}{8}$ " \bigcirc Ceiling cut out (Square): Trim 5 $\frac{1}{8}$ " x 5 $\frac{1}{8}$ " \square Trimless 5 $\frac{1}{8}$ " x 5 $\frac{1}{8}$ " \square Accommodates ceiling thickness of 1/2" - 1" up to 45°, 1 1/2" up to 35°
Light Source:	High output 3-step Mac Adam Ellipse COB Rated life of 50,000 hours at L70
Input:	Universal 120-277V AC, 50/60 Hz
Dimming:	0-10V: 100-0% Electronic Low Voltage (ELV): 100-5% Lutron Hi-Lume 1% Ecosystem Fade-to-Black option
Maximum Delivered Intensity:	Up to 11,674 cd (Round Spot 15°, 4000K, CRI 85)
Maximum Delivered Output:	Up to 2,504 lm (Round Narrow Flood 25°, 4000K, CRI 85)
Standards:	ETL & cETL Wet location listed
Warranty:	5 year WAC Lighting guaranteed warranty

BEAM ANGLES



FINISHES



Model	Beam	Lumens	Ref Output*		Lumens/Watt	Color Temp	CRI	
			CBCP					
R4RAT R4RAL	Round	S 15°	Round	1215	10910	56	827 - 2700K	85
			Square	1140	9175	53		
R4SAT R4SAL	Square	N 25° 20°	Round	2340	9250	69	835 - 3500K	85
			Square	1960	8340	57		
		F 40°	Round	2085	4720	63	927 - 2700K	90
			Square	1770	4495	52		
						930 - 3000K	90	

Lumens and CBCP are reference values for 3000K Color Temperature and 85 CRI with 36 housing. Refer to Multiplier Table in Performance Data to determine other outputs.



Volta

Static White - 4.5" Adjustable

R4RAT | R4RAL | R4SAT | R4SAL

Fixture Type: _____

Project: _____

Catalog#: _____

Location: _____

ORDERING INFORMATION

CONFIGURATION TABLE				
Model & Power	Beam	Color Temperature & CRI	Reflector Finish	Trim Finish
R4RAT	S: Spot - 15°	827 - 2700K - 85	BK - BLACK	WT - WHITE
R4SAT	N: Narrow - 20/25°	830 - 3000K - 85	CB - COPPER	
R4RAL	F: Flood - 40°	835 - 3500K - 85	HZ - HAZE	
R4SAL		840 - 4000K - 85	WT - WHITE	
		927 - 2700K - 90		
		930 - 3000K - 90		

R4RAT-____-__

Example: R4RAT-N840-WT

HOUSINGS (Required)										
Model	Trim	Power	S	N,F,W	Rating	Driver	Emergency Backup			
New Construction IC Airtight	R4RN (Round)	T Trim	15	10W	15W	IC	DEFAULT ELV, 0-10V	L1	Lutron Hi-Lume 1%	EM
			25	15W	23W	IC				
			36	22W	34W	Non-IC				
New Construction IC Airtight Chicago Plenum	R4RC (Round)	T Trim	15	10W	15W	IC	DEFAULT ELV, 0-10V	L1	Lutron Hi-Lume 1%	EM
			25	15W	23W	IC				
			36	22W	34W	Non-IC				
Remodel Non-IC Round or Square	R4BR	T Trim	15	10W	15W	Non-IC	DEFAULT ELV, 0-10V			N/A
			25	15W	23W	Non-IC				
			36	22W	34W	Non-IC				
Remodel Non-IC	R4RR (Round)	L Trimless	15	10W	15W	Non-IC	DEFAULT ELV, 0-10V			N/A
			25	15W	23W	Non-IC				
			36	22W	34W	Non-IC				

ACCESSORIES			
LENS-73-HLD	Accessory Holder	LENS-73-GRN	Green Lens
LENS-73-HCM	Honeycomb Louver	LENS-73-RED	Red Lens
LENS-73-CRL	Cross Louver	LENS-73-FR	Frosted Lens
LENS-73-SNOOT	Snoot	LENS-73-SPR	Spread Lens
LENS-73-AMB	Amber Lens	LENS-73-BEL	Beam Elongating Lens
LENS-73-BLU	Blue Lens		

FIELD REPLACEABLE DRIVER	
D-R4N-15	Driver for 15W New Construction Housing
D-R4N-25	Driver for 23W New Construction Housing
D-R4N-36	Driver for 34W New Construction Housing

INTERCHANGEABLE REFLECTORS	
REF-R4-N	Narrow Flood Beam
REF-R4-F	Flood Beam
REF-R4-W	Wide Beam

ORDERING NOTES

- The "White" trim finish is only available with the reflector finishes "Black" and "Haze".
- Trimless fixtures cannot be ordered with a trim finish.
- The "Spot - 15°" beam angle is available in 10W, 15W, and 22W.
- The "Narrow Flood - 20/25°" and "Flood - 40°" beam angles are available in 15W, 23W, and 34W.
- The "Narrow Flood" beam angle is 20° if ordered in a Square profile and 25° if ordered in a Round profile.

wacarchitectural.com | WAC Architectural, a WAC Group brand.

WAC Group Headquarters
44 Harbor Park Drive
Port Washington, NY 11050

WAC Architectural
Phone (800) 526.2588
Fax (800) 526.2585

APR 2026 | P. 2 of 9

WAC GROUP

Volta

Static White - 4.5" Adjustable

R4RAT | R4RAL | R4SAT | R4SAL

Fixture Type: _____

Project: _____

Catalog#: _____

Location: _____

FEATURES

<p>Optics:</p> <ul style="list-style-type: none"> • 2" lens regress for superior glare control • The adjustable optics have a moving range of 0-45° vertically and 365° horizontally lockable hot aiming. • An indexed vertical scale is built-in for precise and accurate alignment 	<p>Construction:</p> <ul style="list-style-type: none"> • Durable die-cast self flanged aluminum construction • Heavy gauge retention clips support trim firmly
<p>LED:</p> <ul style="list-style-type: none"> • High output COB LED with a 3-step Mac Adam ellipse • Rated operational life of 50,000 hours at L70 (LED maintains 70% of its initial delivered lumens when brand new for 50,000 hours of use.) 	<p>Trim and Reflector:</p> <ul style="list-style-type: none"> • Integral patterned tempered trim lens included standard with every fixture • Dual finished fixtures are a single piece with no physical seams
<p>Electrical:</p> <ul style="list-style-type: none"> • Volta is compatible with 120-277 VAC, 50/60 Hz • Housings are available in 10W, 15W, and 23W if using a Spot Beam. If using a Narrow, Flood, or Wide beam, the housings are available in 15W, 23W, and 34W. 	<p>Installation:</p> <ul style="list-style-type: none"> • Requires housing for installation. • New Construction housings for these fixtures are IC rated based on power level. The 36 power level is non-IC rated. • All Remodel housings are non-IC rated
<p>Dimming:</p> <ul style="list-style-type: none"> • Electronic Low Voltage (ELV) dimming is capable of a 100 - 5% range • 0-10V dimming is capable of a 100 - 0% range • The Lutron Hi-Lume 1% Ecosystem Fade-to-Black option is available 	<p>Warranty:</p> <ul style="list-style-type: none"> • WAC Architectural limited warranty up to 5 years • Full warranty found at: wacighting.com/warranty
<p>Notes:</p> <ul style="list-style-type: none"> • Trim and trimless fixtures of the same shape (Round/Square) have the same performance. Minor variations occur due to fixture shape. • The White and Black finishes are powder coated while the Haze is enamel coated and the Copper Bronze is plated and brushed. • The Volta product family is compatible with a wide range of accessories. 	

Volta

Static White - 4.5" Adjustable

R4RAT | R4RAL | R4SAT | R4SAL

Fixture Type: _____

Project: _____

Catalog#: _____

Location: _____

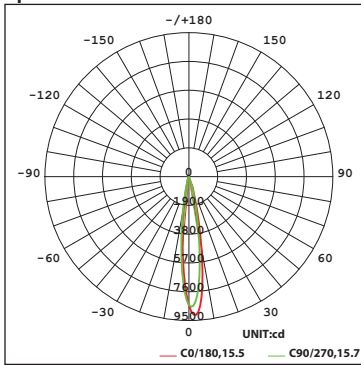
PERFORMANCE DATA

Polar Candela Distribution Charts

Samples shown with a 22W/34W (depending on beam angle) fixture set to 3000K and 90 CRI.

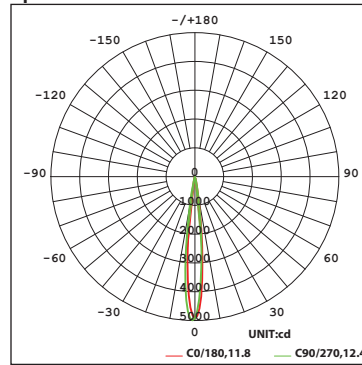
ROUND

Spot Beam: 15° Beam

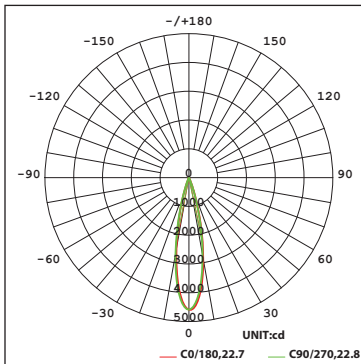


SQUARE

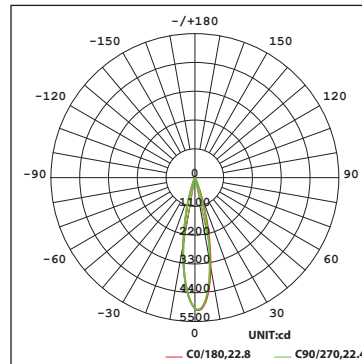
Spot Beam: 15° Beam



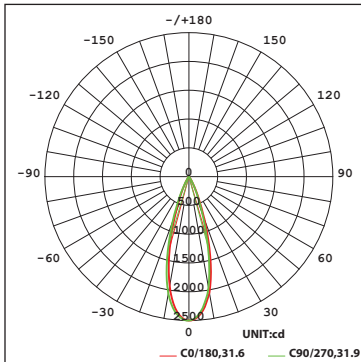
Narrow Flood Beam: 25° Beam



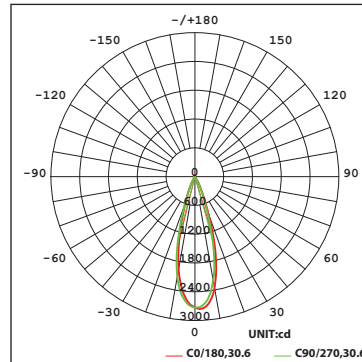
Narrow Flood Beam: 20° Beam



Flood Beam: 40° Beam



Flood Beam: 40° Beam



Volta

Static White - 4.5" Adjustable

R4RAT | R4RAL | R4SAT | R4SAL

Fixture Type: _____

Project: _____

Catalog#: _____

Location: _____

PERFORMANCE DATA

Unified Glare Rating (UGR) Table

UGR values shown are calculated for a Round Trim fixture with a 22W Spot Beam (15°) optic at 3000K and 90 CRI. General performance of other beam angles shown below.

ceiling/cavity	0.7	0.7	0.5	0.5	0.3	0.7	0.7	0.5	0.5	0.3	
walls	0.5	0.3	0.5	0.3	0.3	0.5	0.3	0.5	0.3	0.3	
working plane	0.2	0.2	0.2	0.2	0.2	0.2	0.2	0.2	0.2	0.2	
Room dimensions	Viewed crosswise					Viewed endwise					
x = 2H y = 2H	4.5	5.1	4.7	5.3	5.4	4.0	4.6	4.2	4.8	4.9	
3H	4.5	5.1	4.8	5.3	5.5	4.2	4.7	4.4	4.9	5.1	
4H	4.5	5.0	4.8	5.2	5.5	4.2	4.7	4.4	4.9	5.1	
6H	4.4	5.0	4.7	5.2	5.4	4.1	4.7	4.4	4.9	5.1	
8H	4.4	4.9	4.7	5.1	5.4	4.1	4.6	4.4	4.9	5.1	
12H	4.4	4.8	4.7	5.1	5.4	4.1	4.6	4.4	4.8	5.1	
4H	2H	4.4	5.0	4.7	5.2	5.4	3.9	4.5	4.2	4.7	4.9
3H	4.4	4.9	4.8	5.2	5.5	4.1	4.6	4.4	4.9	5.1	
4H	4.4	4.9	4.8	5.2	5.5	4.2	4.6	4.5	4.9	5.2	
6H	4.3	4.7	4.7	5.1	5.4	4.1	4.5	4.5	4.9	5.2	
8H	4.3	4.7	4.7	5.0	5.4	4.1	4.5	4.5	4.8	5.2	
12H	4.3	4.6	4.7	5.0	5.3	4.1	4.4	4.5	4.8	5.2	
8H	4H	4.3	4.7	4.7	5.0	5.4	4.0	4.4	4.4	4.8	5.1
6H	4.2	4.6	4.7	4.9	5.4	4.0	4.3	4.5	4.7	5.1	
8H	4.2	4.5	4.6	4.9	5.3	4.0	4.3	4.5	4.7	5.1	
12H	4.1	4.4	4.6	4.8	5.3	4.0	4.2	4.4	4.6	5.1	
12H	4H	4.3	4.6	4.7	5.0	5.4	4.0	4.3	4.4	4.7	5.1
6H	4.2	4.5	4.6	4.9	5.3	4.0	4.3	4.4	4.7	5.1	
8H	4.1	4.4	4.6	4.8	5.3	4.0	4.2	4.4	4.6	5.1	

Round Fixture	Angle	UGR Range
Spot	15°	≤6
Narrow Flood	25°	≤7
Flood	40°	≤9

Square Fixture	Angle	UGR Range
Spot	15°	≤4
Narrow Flood	20°	≤8
Flood	40°	≤10

Lumens and CBCP Multiplier Table

Use the below table to determine lumens and CBCP values for the combinations of power, color temperature, and CRI values.

Multiplier		TRIM					
		827	927	830	930	835	840
HOUSING	36	0.95	0.81	1.00	0.86	1.05	1.07
	25	0.66	0.56	0.69	0.59	0.73	0.74
	15	0.43	0.37	0.45	0.39	0.48	0.49

Volta

Static White - 4.5" Adjustable

R4RAT | R4RAL | R4SAT | R4SAL

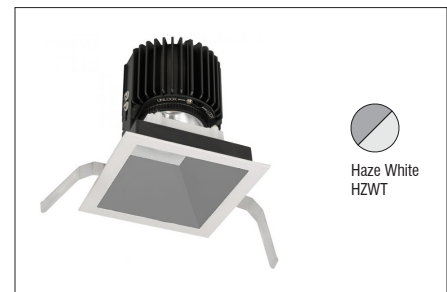
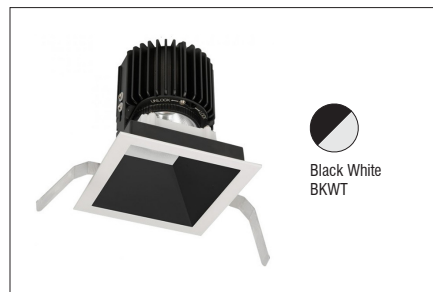
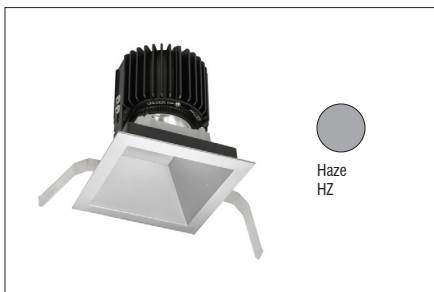
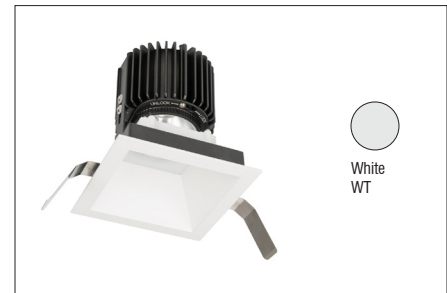
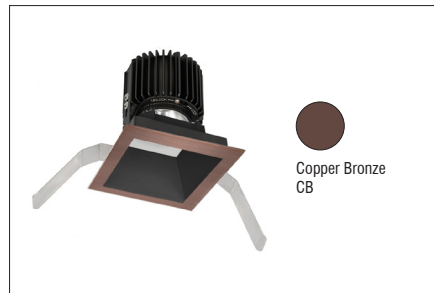
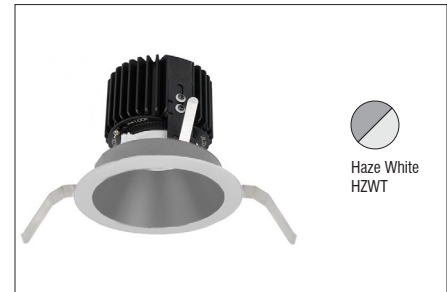
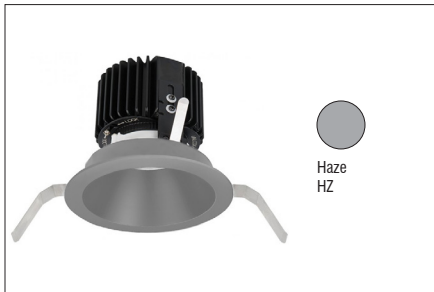
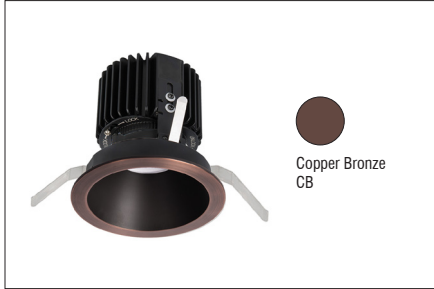
Fixture Type: _____

Project: _____

Catalog#: _____

Location: _____

TRIM AND HOUSING COLOR OPTIONS



ROUND TRIM

SQUARE TRIM

Volta

Static White - 4.5" Adjustable

R4RAT | R4RAL | R4SAT | R4SAL

Fixture Type: _____

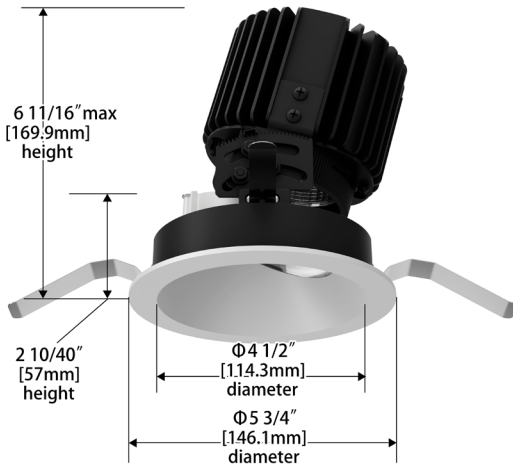
Project: _____

Catalog#: _____

Location: _____

DIMENSIONAL DIAGRAMS

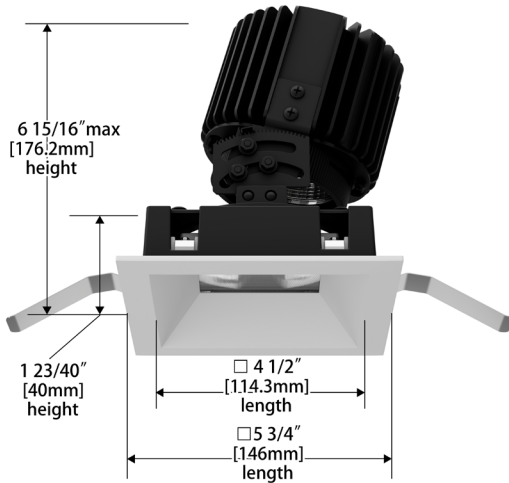
Round Trim (R4RAT)



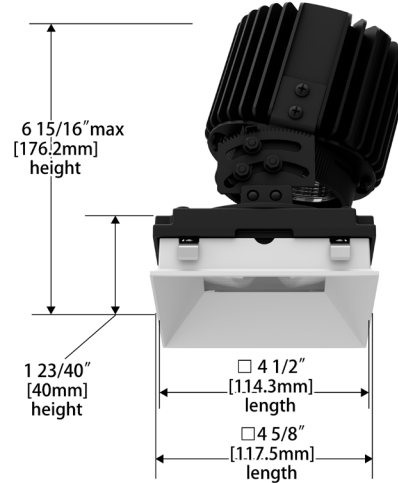
Round Trimless (R4RAL)



Square Trim (R4SAT)



Square Trimless (R4SAL)



Volta

Static White - 4.5" Adjustable

R4RAT | R4RAL | R4SAT | R4SAL

Fixture Type: _____

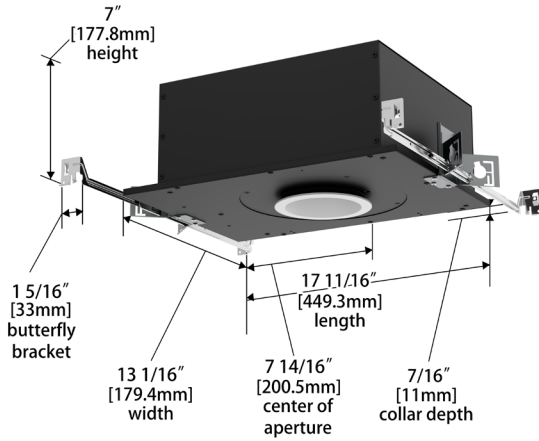
Project: _____

Catalog#: _____

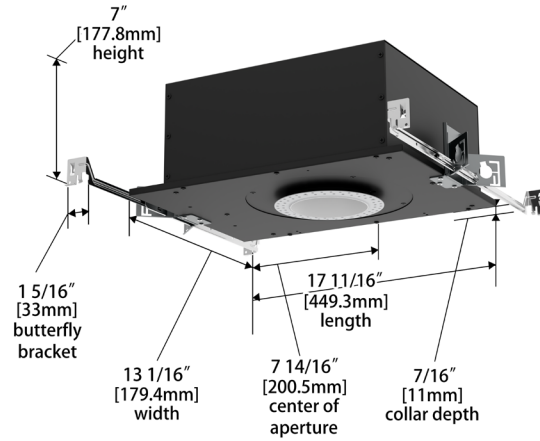
Location: _____

DIMENSIONAL DIAGRAMS

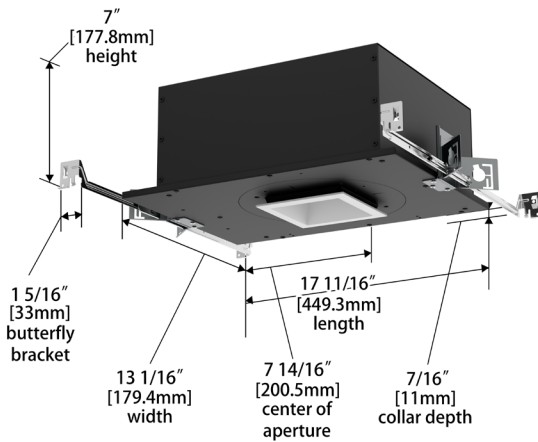
New Construction - Round Trim



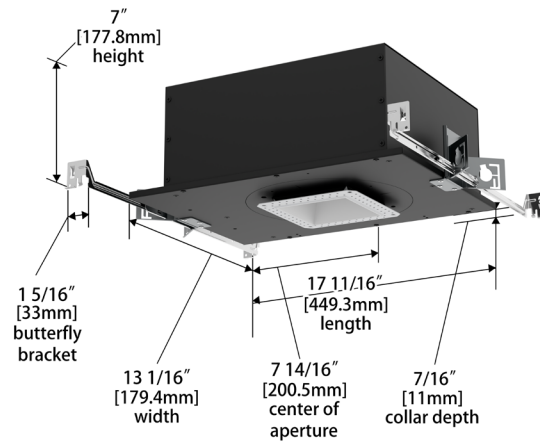
New Construction - Round Trimless



New Construction - Square Trim



New Construction - Square Trimless



Volta

Static White - 4.5" Adjustable

R4RAT | R4RAL | R4SAT | R4SAL

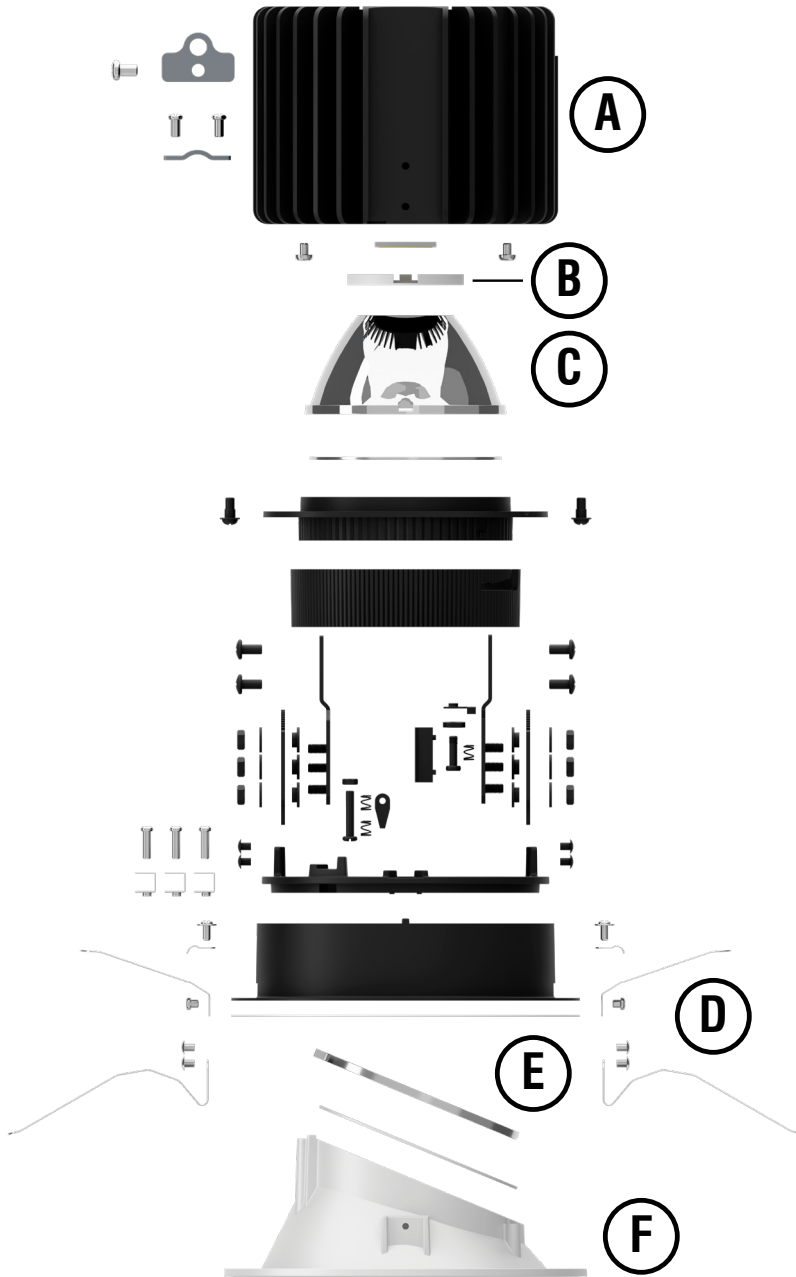
Fixture Type: _____

Project: _____

Catalog#: _____

Location: _____

EXPLODED VIEW DIAGRAM



Exploded View	
A	Heat Sink
B	LED
C	Reflector
D	Support Clips
E	Lens
F	Trim