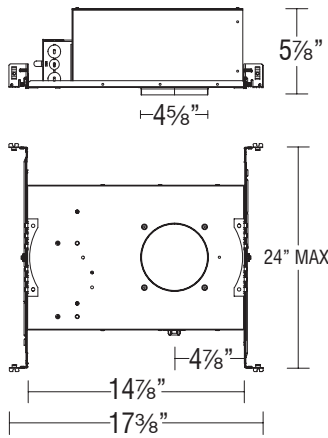


Fixture Type: _____
 Project: _____
 Catalog#: _____
 Location: _____

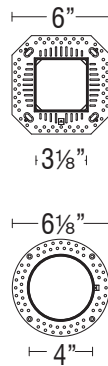


LINE DRAWING

New Construction Housing

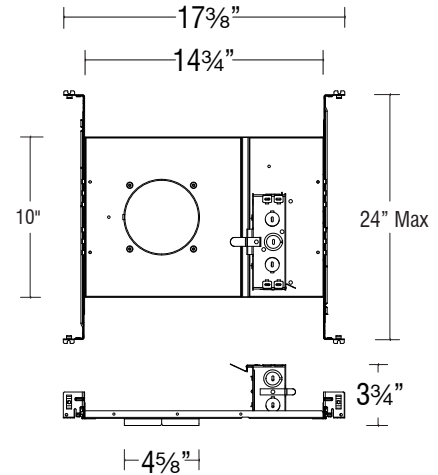


Spackle Frames*



*Included with trimless housings

Frame-In Kit



PRODUCT DESCRIPTION

The FQ Recessed series offers a complete line of high performance LED luminaires that provide outstanding functionality and quality. The FQ series features superlative glare control with 30° shielding, 45° vertical tilting, and uniform floor-to-ceiling wall washing. Multiple power level options and a full line of round and square, trimmed and trimless luminaires offer versatile solutions for various lighting applications. Easy to order, install, and service.

SPECIFICATIONS

| | |
|-------------------|---|
| Mounting: | New construction housings include universal mounting brackets and hanger bars Ceiling cut out (Round): $\varnothing 4\frac{3}{4}"$ Ceiling cut out (Square): $4\frac{3}{4}" \times 4\frac{3}{4}"$ □ Accommodates $\frac{1}{2}" - 1"$ ceiling thickness |
| Input: | Universal 120-277V AC, 50/60 Hz |
| Dimming: | ELV, TRIAC, 0-10V: 100 - 1% |
| Emergency: | EM fixtures provided with integral emergency battery backup with 24" lead wire remote test switch. Provides a minimum of 90 minutes of 6W illumination during emergency operation. |
| Standards: | ETL & cETL, IC-rated, Airtight, SPCL (Spray Foam Compatible Luminaire), up to R6.8 per inch, as per UL 1598 |
| Warranty: | 5 year WAC Lighting guaranteed warranty |

Fixture Type: _____
 Project: _____
 Catalog#: _____
 Location: _____

ORDERING INFORMATION

| HOUSINGS | | | | |
|--|---------------|--------------|----------|---------------------------|
| | Model | Power | Rating | Emergency Backup* |
| New Construction Airtight Trimmed Round & Square | R4FBNT | 1 13W | IC, SPCL | EM <i>Optional</i> |
| | | 2 19W | IC, SPCL | |
| | | 3 25W | IC, SPCL | |
| | | 4 28W | Non-IC | |
| New Construction Airtight Trimless Round | R4FRNL | 1 13W | IC, SPCL | EM <i>Optional</i> |
| | | 2 19W | IC, SPCL | |
| | | 3 25W | IC, SPCL | |
| | | 4 28W | Non-IC | |
| New Construction Airtight Trimless Square | R4FSNL | 1 13W | IC, SPCL | EM <i>Optional</i> |
| | | 2 19W | IC, SPCL | |
| | | 3 25W | IC, SPCL | |
| | | 4 28W | Non-IC | |
| New Construction Frame-In Trimmed Round & Square | R4FBFT | 1 13W | Non-IC | N/A |
| | | 2 19W | Non-IC | |
| | | 3 25W | Non-IC | |
| | | 4 28W | Non-IC | |
| New Construction Frame-In Trimless Round | R4FRFL | 1 13W | Non-IC | N/A |
| | | 2 19W | Non-IC | |
| | | 3 25W | Non-IC | |
| | | 4 28W | Non-IC | |
| New Construction Frame-In Trimless Square | R4FSFL | 1 13W | Non-IC | N/A |
| | | 2 19W | Non-IC | |
| | | 3 25W | Non-IC | |
| | | 4 28W | Non-IC | |

R4F _ _ _

Example: R4FBNT-1 or R4FBNT-1-EM (with Emergency backup battery)

*EM option is not SPCL rated

| Housing Model | Power | Emergency Backup | Replacement Driver Model |
|---------------|--------------|------------------|--------------------------|
| R4FBNT | 1 13W | None | D-R4FN-1 |
| R4FRNL | 2 19W | | D-R4FN-2 |
| R4FSNL | 3 25W | | D-R4FN-3 |
| | 4 28W | | D-R4FN-4 |
| R4FBFT | 1 13W | None | D-R4FF-1 |
| R4FRFL | 2 19W | | D-R4FF-2 |
| R4FSFL | 3 25W | | D-R4FF-3 |
| | 4 28W | | D-R4FF-4 |
| R4FBNT | 1 13W | EM | D-R4FN-1-EM |
| R4FBNT | 2 19W | | D-R4FN-2-EM |
| R4FBFT | 3 25W | | D-R4FN-3-EM |
| R4FBFT | 4 28W | | D-R4FN-4-EM |