

Falcon High Power COB

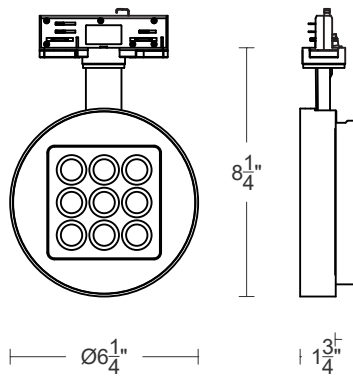
WTK-72S | WHK-72S | MO-N72S | MO-R72S

Fixture Type: _____
 Project: _____
 Catalog#: _____
 Location: _____

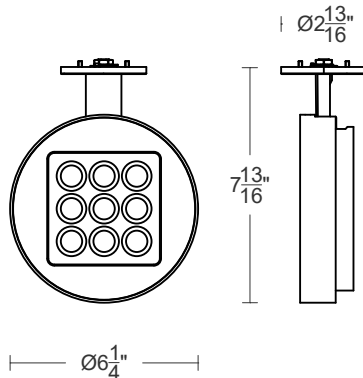


LINE DRAWING

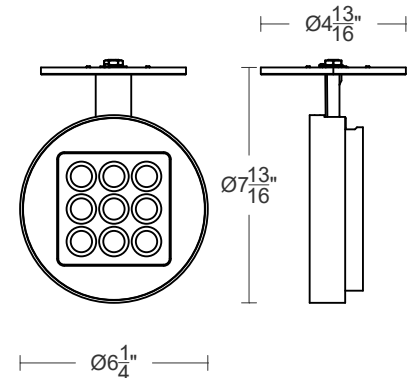
Track (WTK-72S, WHK-72S)



New Construction (MO-N72S)



Remodel (MO-R72S)



PRODUCT DESCRIPTION

Museum-grade track luminaire engineered for precise beam control and glare management. Designed for galleries and curated environments.

SPECIFICATIONS

Construction:	Injection molded polycarbonate low glare trim
Mounting:	Track mounted (WTK, WHK); ceiling mounted (MO) Ceiling cut out: $\varnothing 4\frac{1}{2}$ " Accommodates $\frac{1}{2}$ " - 2" ceiling thickness
Light Source:	High output 3-step Mac Adam Ellipse COB Rated life of 50,000 hours at L70
Input:	120 VAC (WTK), 277 VAC (WHK), 120-277 VAC (MO)
Power:	32W
Dimming:	ELV, TRIAC, BLE, and 0-10V: 100 - 1%
Operating Temperature:	-4°F to 104°F (-20°C to 40°C)
Standards:	ETL & cETL
Warranty:	5 year WAC Lighting guaranteed warranty

BEAM ANGLES



FINISHES



Model	Beam	Lumens	CBCP	Efficacy (lm/W)
		Ref Output*		
WTK-72S WHK-72S $\varnothing 6.25$ " MO-N72S $\varnothing 158.75\text{mm}$ MO-R72S	V 11°	1,701	35,205	55
	S 15°	1,461	16,425	47
	N 24°	2,544	12,450	82
	M 36°	2,399	7,037	77
	F 40°	2,114	4,705	68
	A Asym	1,450	1,766	46
	G 18° X 52°	1,212	4,637	39
	E 13° X 45°	1,232	6,214	40

*Lumens and CBCP are reference values for fixtures set to 3000K Color Temperature. Refer to Multiplier Table in Performance Data to determine other outputs.



Falcon High Power COB

WTK-72S | WHK-72S | MO-N72S | MO-R72S

Fixture Type: _____
 Project: _____
 Catalog#: _____
 Location: _____

ORDERING INFORMATION

CONFIGURATION TABLE			
Model & Power	Beam Angle	Color Temperature & CRI	Housing Finish
WTK-72S (120V)	V - Very Narrow 11°	927 - 2700K	BK - BLACK
WHK-72S (277V)	S - Spot 15°	930 - 3000K	WT - WHITE
MO-N72S (120-277V)	N - Narrow Flood 24°	935 - 3500K	
MO-R72S (120-277V)	M - Medium Flood 36°	940 - 4000K	
	F - Flood 40°		
	A - Wall Wash/Asymmetric		
	G - Grazer 18° X 52°		
	E - Elongating 13° X 45°		

W_K-72S-_____

Example: WTK-72S-S930WT

MO-_72S-_____

Example: MO-N72S-M930BK

ACCESSORIES	
LENS-38S-WWWT	TL38 WALL - WASHING LENS
LENS-38S-EEWT	TL38 STRECHTED LENS
LENS-38S-SSWT	TL38 SMALL DIFFUSION LENS
LENS-38S-MMWT	TL38 MEDIUM DIFFUSION LENS
LENS-38S-LLWT	TL38 HEAVY DIFFUSION LENS
LENS-38S-SQWT	TL38 SQUARE DIFFUSION LENS
LENS-38S-CSBK	TL38 12D DIFFUSION LENS MODULE BLACK
LENS-38S-CNBK	TL38 24D DIFFUSION LENS MODULE BLACK
LENS-38S-CMBK	TL38 36D DIFFUSION LENS MODULE BLACK
LENS-38S-CWBK	TL38 50D DIFFUSION LENS MODULE BLACK
LENS-38S-SNOOT-B	TL38 CONDENSER BLACK
LENS-38S-SNOOT-W	TL38 CONDENSER WHITE
LENS-38S-HCM	TL38 HONEYCOMB MESH
LENS-38S-BD-BK	TL38 LIGHT SHIELDING PLATE BLACK
LENS-38S-BD-WT	TL38 LIGHT SHIELDING PLATE WHITE
LENS-38S-HSBK	TL38 HISTORICAL SENSE FILTER
LENS-38S-RGBK	TL38 RECOGNITION FILTER
LENS-38S-PFBK	TL38 PREFERENCE FILTER

ORDERING NOTES

- The WTK-72S fixture is 120V and the WHK-72S fixture is 277V. Both fixtures are track mounted.
- The MO-N72S fixture is a ceiling mounted monopoint fixture for New Construction installations. The MO-R72S fixture is a ceiling mounted monopoint fixture for Remodel installations.

wacarchitectural.com | WAC Architectural, a WAC Group brand.

WAC Group Headquarters
 44 Harbor Park Drive
 Port Washington, NY 11050

WAC Architectural
 Phone (800) 526.2588
 Fax (800) 526.2585

APR 2026 | P. 2 of 4

WAC GROUP

Falcon High Power COB

WTK-72S | WHK-72S | MO-N72S | MO-R72S

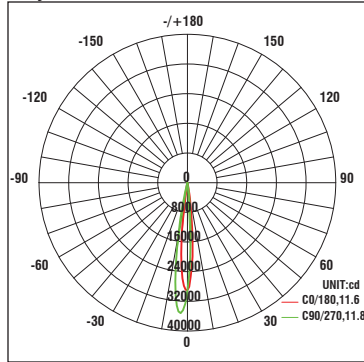
Fixture Type: _____
 Project: _____
 Catalog#: _____
 Location: _____

PERFORMANCE DATA

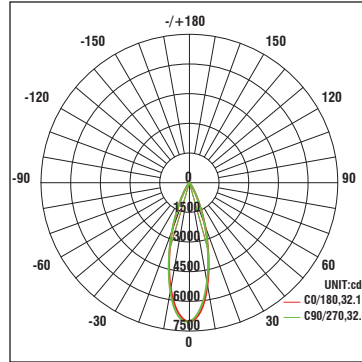
Polar Candela Distribution Charts

Samples shown with a fixture set to 3000K.

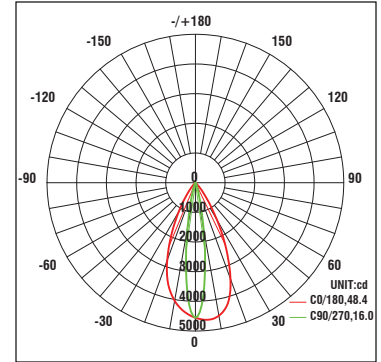
Very Narrow Beam: 11° Beam



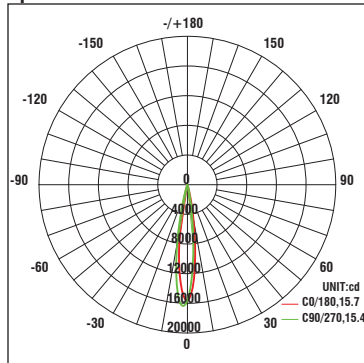
Medium Flood Beam: 36° Beam



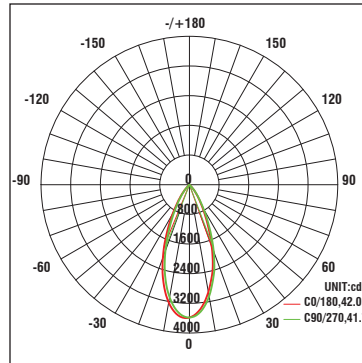
Grazer Beam: 18° X 52° Beam



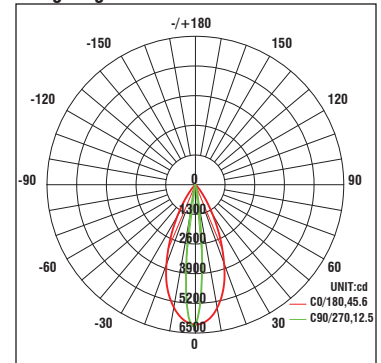
Spot Beam: 15° Beam



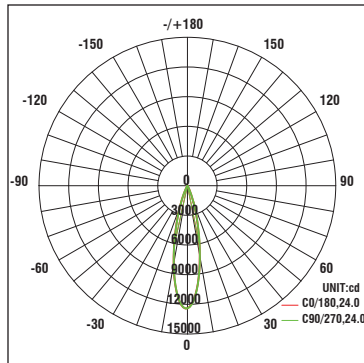
Flood Beam: 40° Beam



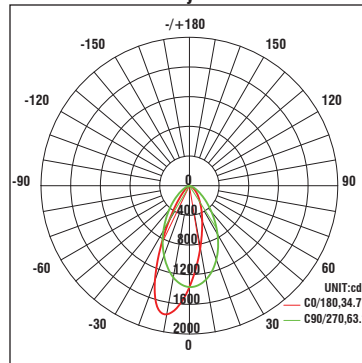
Elongating Beam: 13° X 45° Beam



Narrow Flood Beam: 24° Beam



Wall Wash Beam: Asymmetric



Falcon

High Power COB

WTK-72S | WHK-72S | MO-N72S | MO-R72S

Fixture Type: _____

Project: _____

Catalog#: _____

Location: _____

PERFORMANCE DATA

Unified Glare Rating (UGR) Table

UGR values shown are calculated for a fixture at 3000K and 90 CRI.

Round Fixture	Angle	UGR Range
Very Narrow	11°	≤1
Spot	15°	≤4
Narrow Flood	24°	≤7
Medium Flood	36°	≤15
Flood	40°	≤20
Wall Wash	Asymmetric	≤28
Grazer	18° x 52°	≤19
Elongating	13° x 45°	≤21

Lumens and CBCP Multiplier Table

Use the below table to determine lumens and CBCP values for the combinations of power, color temperature, and CRI values.

Color Temperature			
2700K	3000K	3500K	4000K
0.93	1.00	1.04	1.04