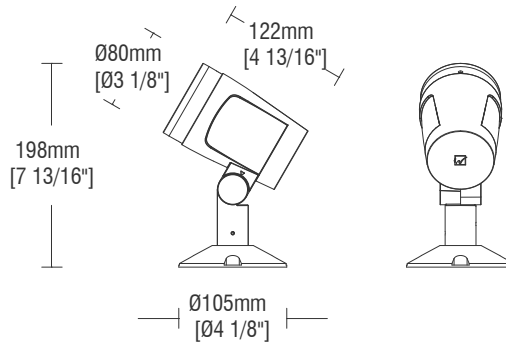


## Panther RGBW PAL3 (8.6W)

Fixture Type: \_\_\_\_\_  
 Project: \_\_\_\_\_  
 Catalog#: \_\_\_\_\_  
 Location: \_\_\_\_\_



### LINE DRAWING



### PRODUCT DESCRIPTION

Utilizing the latest LED technology, the PANTHER series of luminaire features a low-profile design and high optical performance, available in a variety of sizes. The series supports vertical or horizontal mounting with precise adjustments in the direction of rotation. Recommended for architectural façade lighting or landscape spotighting.

### SPECIFICATIONS

<b>Construction:</b>	Durable die-cast aluminum construction
<b>Mounting:</b>	Outdoor installation
<b>Light Source:</b>	High output 3-step Mac Adam Ellipse Rated life of 50,000 hours at L70
<b>Input:</b>	Universal 120-277V AC, 50/60 Hz
<b>Power:</b>	8.6W
<b>Dimming:</b>	DMX512-A
<b>Maximum Delivered Intensity:</b>	Up to 3,681 cd (Spot 16°, 4000K)
<b>Maximum Delivered Output:</b>	Up to 327 lm (Narrow Flood 25°, 4000K)
<b>Operating Temperature:</b>	-4°F to 122°F (-20°C to 50°C)
<b>Standards:</b>	ETL & cETL Wet location listed
<b>Warranty:</b>	5 year WAC Lighting guaranteed warranty

### BEAM ANGLES



### FINISHES



Model	Beam	Lumens Ref Output*	CBCP	Efficacy (lm/W)	Color Temp
PAL3 Ø80mm Ø3.2"	S 16°	289	3,287	33	927-2700K
	N 25°	292	1,210	33	930-3000K
	M 35°	284	666	33	935-3500K 940-4000K

\*Lumens and CBCP are reference values for 3000K Color Temperature. Refer to Multiplier Table in Performance Data to determine other outputs.

## Panther RGBW PAL3 (8.6W)

Fixture Type: \_\_\_\_\_  
 Project: \_\_\_\_\_  
 Catalog#: \_\_\_\_\_  
 Location: \_\_\_\_\_

### ORDERING INFORMATION

CONFIGURATION TABLE				
Model & Power	Color Temperature & CRI	Dimming	Beam Angle	Housing Finish
<b>PAL3 (8.6W)</b>	<b>RGBW30</b> - 3000K - 80 CRI	<b>D</b> - DMX512-A	<b>S</b> - Spot 16°	<b>BK</b> - BLACK
	<b>RGBW40</b> - 4000K - 80 CRI		<b>N</b> - Narrow Flood 25°	
	<b>RGBW60</b> - 6000K - 80 CRI		<b>M</b> - Medium Flood 35°	

### PAL3-RBGW\_\_D\_-\_BK

Example: PAL3-RBGW40D-N-BK

ACCESSORIES	
PAL3-SHR-BK	<i>Panther 3" Shroud - Black</i>
PAL3-SNOOT-BK	<i>Panther 3" Snoot - Black</i>
AL-TMS-BK	<i>Tree Mount Bracket - Small</i>
AL-TML-BK	<i>Tree Mount Bracket - Large</i>
AL-TRM-BK	<i>Tree Ring Mount</i>
M6000-STAKE	<i>Ground Stake</i>
AL-PM-BK	<i>Pole Mount Bracket</i>
AL-PS-3-BK	<i>3" Pole Sleeve</i>
AL-PCM-S-BK	<i>Pole Clamp - Single</i>
AL-PCM-AD-BK	<i>Pole Clamp Adjustable - Double</i>

Panther  
RGBW  
PAL3 (8.6W)

Fixture Type: \_\_\_\_\_  
 Project: \_\_\_\_\_  
 Catalog#: \_\_\_\_\_  
 Location: \_\_\_\_\_

**FEATURES**

<p><b>Optics:</b></p> <ul style="list-style-type: none"> <li>• Armature capable of 330° horizontal rotation and 30-90° vertical aiming</li> </ul>	<p><b>Construction:</b></p> <ul style="list-style-type: none"> <li>• Die-cast aluminum fixture with driver enclosed in canopy</li> </ul>
<p><b>LED:</b></p> <ul style="list-style-type: none"> <li>• High output discrete LED with a 3-step Mac Adam ellipse</li> <li>• Rated operational life of 50,000 hours at L70 (LED maintains 70% of its initial delivered lumens when brand new for 50,000 hours of use.)</li> </ul>	<p><b>Trim and Reflector:</b></p> <ul style="list-style-type: none"> <li>• Three beam angles are available: Spot, Narrow Flood, and Medium Flood</li> </ul>
<p><b>Electrical:</b></p> <ul style="list-style-type: none"> <li>• Input power is universal 120-277 VAC, 50/60 Hz</li> <li>• Available in a 8.6W power level</li> </ul>	<p><b>Installation:</b></p> <ul style="list-style-type: none"> <li>• Suitable for outdoor installation with a rating of IP65</li> </ul>
<p><b>Dimming:</b></p> <ul style="list-style-type: none"> <li>• DMX512-A integrated for full RGBW tuning</li> </ul>	<p><b>Warranty:</b></p> <ul style="list-style-type: none"> <li>• WAC Architectural limited warranty up to 5 years</li> <li>• Full warranty found at: <a href="http://wacighting.com/warranty">wacighting.com/warranty</a></li> </ul>
<p><b>Notes:</b></p> <ul style="list-style-type: none"> <li>• The Black finish is electrostatically powder coated</li> </ul>	

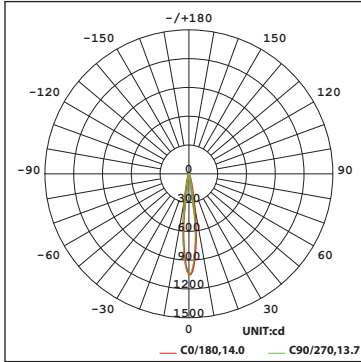
Fixture Type: \_\_\_\_\_  
 Project: \_\_\_\_\_  
 Catalog#: \_\_\_\_\_  
 Location: \_\_\_\_\_

**PERFORMANCE DATA**

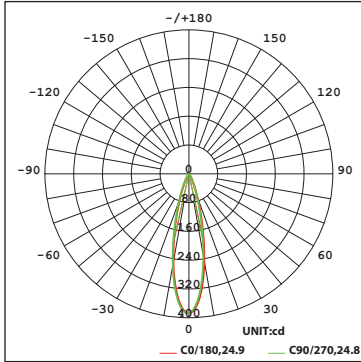
**Polar Candela Distribution Charts**

Samples shown from a fixture set to 3000K.

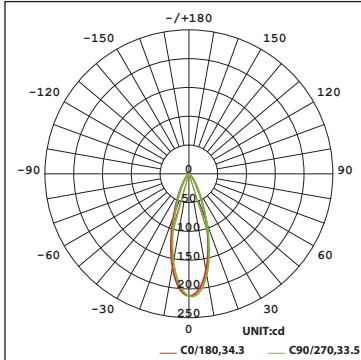
**S - Spot Beam 16°**



**N - Narrow Flood Beam 25°**



**M - Medium Flood Beam 35°**



Fixture Type: \_\_\_\_\_  
 Project: \_\_\_\_\_  
 Catalog#: \_\_\_\_\_  
 Location: \_\_\_\_\_

### PERFORMANCE DATA

#### Unified Glare Rating (UGR) Table

Samples shown from a fixture with a Spot 16° beam set to 3000K. General performance of other beam angles shown below.

ceiling/cavity	0.7	0.7	0.5	0.5	0.3	0.7	0.7	0.5	0.5	0.3	
walls	0.5	0.3	0.5	0.3	0.3	0.5	0.3	0.5	0.3	0.3	
working plane	0.2	0.2	0.2	0.2	0.2	0.2	0.2	0.2	0.2	0.2	
Room dimensions	Viewed crosswise					Viewed endwise					
x = 2H y = 2H	1.1	1.6	1.3	1.8	1.9	1.4	2.0	1.6	2.1	2.3	
3H	1.1	1.6	1.3	1.8	2.0	1.4	2.0	1.7	2.1	2.3	
4H	1.1	1.6	1.3	1.8	2.0	1.4	1.9	1.6	2.1	2.3	
6H	1.0	1.5	1.3	1.7	1.9	1.3	1.8	1.6	2.0	2.3	
8H	0.9	1.4	1.2	1.7	1.9	1.3	1.7	1.6	2.0	2.2	
12H	0.9	1.4	1.2	1.6	1.9	1.3	1.7	1.6	2.0	2.2	
4H	2H	1.1	1.6	1.3	1.8	2.0	1.4	1.9	1.7	2.1	2.3
3H	1.1	1.6	1.4	1.8	2.1	1.4	1.9	1.7	2.1	2.4	
4H	1.1	1.5	1.4	1.8	2.1	1.4	1.8	1.7	2.1	2.4	
6H	1.0	1.3	1.3	1.7	2.0	1.3	1.7	1.7	2.0	2.3	
8H	0.9	1.3	1.3	1.6	2.0	1.3	1.6	1.6	1.9	2.3	
12H	0.9	1.2	1.3	1.6	2.0	1.2	1.5	1.6	1.9	2.3	
8H	4H	0.9	1.3	1.3	1.6	2.0	1.2	1.6	1.6	1.9	2.3
6H	0.8	1.1	1.3	1.5	1.9	1.2	1.5	1.6	1.8	2.3	
8H	0.8	1.1	1.2	1.5	1.9	1.1	1.4	1.6	1.8	2.2	
12H	0.8	1.0	1.2	1.4	1.9	1.1	1.3	1.6	1.8	2.3	
12H	4H	0.9	1.2	1.3	1.6	1.9	1.2	1.5	1.6	1.9	2.3
6H	0.8	1.0	1.2	1.5	1.9	1.1	1.4	1.6	1.8	2.2	
8H	0.8	1.0	1.2	1.4	1.9	1.1	1.3	1.6	1.8	2.2	

Fixture	Angle	UGR Range
Spot	16°	≤2
Narrow Flood	25°	≤6
Medium Flood	35°	≤10

#### Lumens and CBCP Multiplier Table

Use the below table to determine lumens and CBCP values for the combinations of power, color temperature, and CRI values.

Color Temperature				
2700K	3000K	3500K	4000K	5000K
0.96	1.00	1.04	1.07	1.12

Fixture Type: \_\_\_\_\_  
Project: \_\_\_\_\_  
Catalog#: \_\_\_\_\_  
Location: \_\_\_\_\_

**DIMENSIONAL DIAGRAMS**



## Panther RGBW PAL3 (8.6W)

Fixture Type: \_\_\_\_\_  
 Project: \_\_\_\_\_  
 Catalog#: \_\_\_\_\_  
 Location: \_\_\_\_\_

### WIRING DIAGRAM

