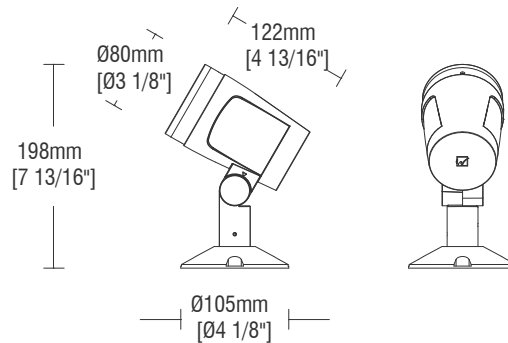


## Panther Static White PAL3 (8W)

Fixture Type: \_\_\_\_\_  
 Project: \_\_\_\_\_  
 Catalog#: \_\_\_\_\_  
 Location: \_\_\_\_\_



### LINE DRAWING



### PRODUCT DESCRIPTION

Utilizing the latest LED technology, the PANTHER series of luminaire features a low-profile design and high optical performance, available in a variety of sizes. The series supports vertical or horizontal mounting with precise adjustments in the direction of rotation. Recommended for architectural façade lighting or landscape spot lighting.

### SPECIFICATIONS

<b>Construction:</b>	Durable die-cast aluminum construction
<b>Mounting:</b>	Outdoor installation
<b>Light Source:</b>	High output 3-step Mac Adam Ellipse Rated life of 50,000 hours at L70
<b>Input:</b>	Universal 120-277V AC, 50/60 Hz
<b>Power:</b>	8W
<b>Controls:</b>	0-10V, DMX512-A with RDM
<b>Maximum Delivered Intensity:</b>	Up to 21,189 cd (Ultra Narrow 6°, 4000K)
<b>Maximum Delivered Output:</b>	Up to 472 lm (Ultra Narrow 6°, 4000K)
<b>Operating Temperature:</b>	-4°F to 122°F (-20°C to 50°C)
<b>Standards:</b>	ETL & cETL Wet location listed
<b>Warranty:</b>	5 year WAC Lighting guaranteed warranty

### BEAM ANGLES



### FINISHES



Model	Beam	Lumens Ref Output*	CBCP	Efficacy (lm/W)	Color Temp
PAL3 Ø80mm Ø3.2"	U 6°	441	19,803	48	927-2700K
	S 13°	331	3,133	36	
	N 22°	346	1,775	38	930-3000K
	M 34°	427	1,044	47	935-3500K
	W 50°	341	486	37	940-4000K

\*Lumens and CBCP are reference values for 3000K Color Temperature. Refer to Multiplier Table in Performance Data to determine other outputs.

## Panther

### Static White

PAL3 (8W)

Fixture Type: \_\_\_\_\_

Project: \_\_\_\_\_

Catalog#: \_\_\_\_\_

Location: \_\_\_\_\_

### ORDERING INFORMATION

CONFIGURATION TABLE				
Model & Power	Dimming	Beam Angle	Color Temperature & CRI	Housing Finish
<b>PAL3 (8W)</b>	<b>L</b> - 0-10V <b>D</b> - DMX512-A	<b>U</b> - Ultra Narrow 6°	<b>927</b> - 2700K - 90	<b>BK</b> - BLACK
		<b>S</b> - Spot 13°	<b>930</b> - 3000K - 90	
		<b>N</b> - Narrow Flood 22°	<b>940</b> - 4000K - 90	
		<b>M</b> - Medium Flood 34°		
		<b>W</b> - Wide Flood 50°		

### PAL3-08 - \_\_\_\_ -BK

Example: PAL3-08D-M930-BK

ACCESSORIES	
PAL3-SHR-BK	<i>Panther 3" Shroud - Black</i>
PAL3-SNOOT-BK	<i>Panther 3" Snoot - Black</i>
AL-TMS-BK	<i>Tree Mount Bracket - Small</i>
AL-TML-BK	<i>Tree Mount Bracket - Large</i>
AL-TRM-BK	<i>Tree Ring Mount</i>
M6000-STAKE	<i>Ground Stake</i>
AL-PM-BK	<i>Pole Mount Bracket</i>
AL-PS-3-BK	<i>3" Pole Sleeve</i>
AL-PCM-S-BK	<i>Pole Clamp - Single</i>
AL-PCM-AD-BK	<i>Pole Clamp Adjustable - Double</i>

Fixture Type: \_\_\_\_\_

Project: \_\_\_\_\_

Catalog#: \_\_\_\_\_

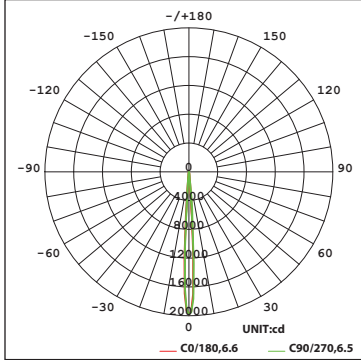
Location: \_\_\_\_\_

### PERFORMANCE DATA

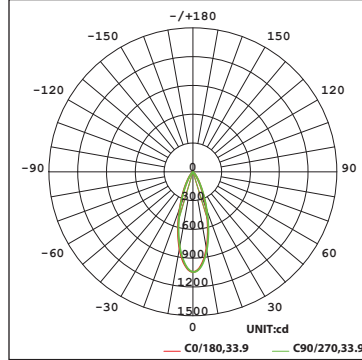
#### Polar Candela Distribution Charts

Samples shown from a fixture set to 3000K.

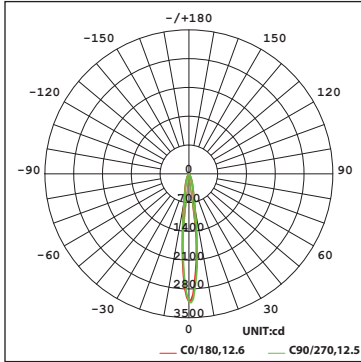
**U - Ultra Narrow 6°**



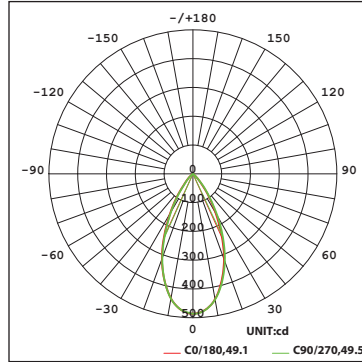
**M - Medium Flood Beam 34°**



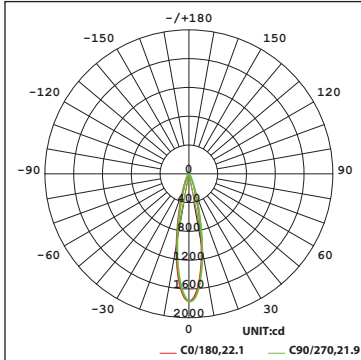
**S - Spot Beam 13°**



**W - Wide Flood 50°**



**N - Narrow Flood Beam 22°**



## Panther Static White PAL3 (8W)

Fixture Type: \_\_\_\_\_  
 Project: \_\_\_\_\_  
 Catalog#: \_\_\_\_\_  
 Location: \_\_\_\_\_

### PERFORMANCE DATA

#### Unified Glare Rating (UGR) Table

Samples shown from a fixture with an Ultra Narrow 6° beam set to 3000K. General performance of other beam angles shown below.

ceiling/cavity	0.7	0.7	0.5	0.5	0.3	0.7	0.7	0.5	0.5	0.3	
walls	0.5	0.3	0.5	0.3	0.3	0.5	0.3	0.5	0.3	0.3	
working plane	0.2	0.2	0.2	0.2	0.2	0.2	0.2	0.2	0.2	0.2	
Room dimensions	Viewed crosswise					Viewed endwise					
x = 2H y = 2H	1.6	2.1	1.8	2.2	2.4	1.4	1.9	1.6	2.0	2.2	
3H	1.5	1.9	1.7	2.1	2.3	1.3	1.7	1.5	1.9	2.1	
4H	1.4	1.8	1.6	2.0	2.2	1.2	1.6	1.4	1.8	2.0	
6H	1.3	1.7	1.6	2.0	2.2	1.1	1.5	1.4	1.8	2.0	
8H	1.3	1.7	1.6	1.9	2.2	1.1	1.5	1.4	1.7	2.0	
12H	1.2	1.6	1.5	1.9	2.1	1.0	1.4	1.3	1.7	1.9	
4H	2H	1.4	1.9	1.7	2.1	2.3	1.2	1.7	1.5	1.9	2.1
	3H	1.2	1.6	1.5	1.9	2.2	1.1	1.4	1.3	1.7	2.0
	4H	1.2	1.5	1.5	1.8	2.1	1.0	1.3	1.3	1.6	1.9
	6H	1.0	1.4	1.4	1.7	2.0	0.8	1.2	1.2	1.5	1.8
	8H	1.0	1.3	1.4	1.6	2.0	0.8	1.1	1.2	1.4	1.8
	12H	0.9	1.2	1.3	1.6	2.0	0.7	1.0	1.1	1.4	1.8
8H	4H	1.0	1.3	1.4	1.6	2.0	0.8	1.1	1.2	1.4	1.8
	6H	0.9	1.1	1.3	1.5	1.9	0.7	0.9	1.1	1.3	1.7
	8H	0.8	1.0	1.2	1.4	1.9	0.6	0.8	1.0	1.2	1.7
	12H	0.7	0.9	1.2	1.4	1.8	0.5	0.7	1.0	1.2	1.6
12H	4H	0.9	1.2	1.3	1.6	2.0	0.7	1.0	1.1	1.4	1.8
	6H	0.8	1.0	1.2	1.4	1.9	0.6	0.8	1.0	1.2	1.7
	8H	0.7	0.9	1.2	1.4	1.8	0.5	0.7	1.0	1.2	1.6

Fixture	Angle	UGR Range
Very Narrow	6°	≤2
Spot	13°	≤8
Narrow Flood	22°	≤6
Medium Flood	34°	≤13
Wide Flood	50°	≤16

#### Lumens and CBCP Multiplier Table

Use the below table to determine lumens and CBCP values for the combinations of power, color temperature, and CRI values.

Color Temperature				
2700K	3000K	3500K	4000K	5000K
0.96	1.00	1.04	1.07	1.12