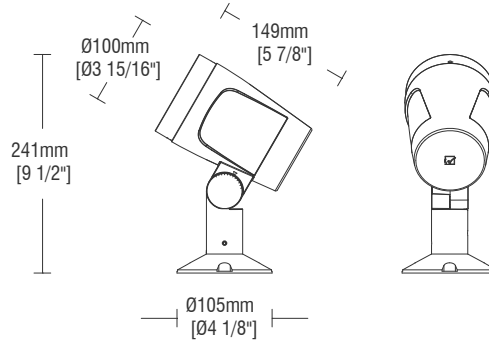


## Panther Static White PAL4 (19W)

Fixture Type: \_\_\_\_\_  
 Project: \_\_\_\_\_  
 Catalog#: \_\_\_\_\_  
 Location: \_\_\_\_\_



### LINE DRAWING



### PRODUCT DESCRIPTION

Utilizing the latest LED technology, the PANTHER series of luminaire features a low-profile design and high optical performance, available in a variety of sizes. The series supports vertical or horizontal mounting with precise adjustments in the direction of rotation. Recommended for architectural façade lighting or landscape spot lighting.

### SPECIFICATIONS

|                                     |  |
|-------------------------------------|--|
| <b>Construction:</b>                | Durable die-cast aluminum construction                                   |
| <b>Mounting:</b>                    | Outdoor installation   |
| <b>Light Source:</b>                | High output 3-step Mac Adam Ellipse<br>Rated life of 50,000 hours at L70 |
| <b>Input:</b>                       | Universal 120-277V AC, 50/60 Hz  |
| <b>Power:</b>                       | 19W  |
| <b>Controls:</b>                    | 0-10V, DMX512-A with RDM   |
| <b>Maximum Delivered Intensity:</b> | Up to 49,317 cd (Ultra Narrow 6°, 4000K)                                 |
| <b>Maximum Delivered Output:</b>    | Up to 1,173 lm (Ultra Narrow 6°, 4000K)                                  |
| <b>Operating Temperature:</b>       | -4°F to 122°F (-20°C to 50°C)  |
| <b>Standards:</b>                   | ETL & cETL Wet location listed   |
| <b>Warranty:</b>                    | 5 year WAC Lighting guaranteed warranty                                  |

### BEAM ANGLES



### FINISHES



| Model                 | Beam  | Lumens Ref Output* | CBCP   | Efficacy (lm/W) | Color Temp |
|-----------------------|-------|--------------------|--------|-----------------|------------|
| PAL4<br>Ø100mm<br>Ø4" | U 6°  | 1,096              | 46,091 | 49              | 927-2700K  |
|                       | S 13° | 868                | 7,964  | 39              |            |
|                       | N 22° | 879                | 4,222  | 40              | 930-3000K  |
|                       | M 34° | 1,081              | 2,717  | 48              | 935-3500K  |
|                       | W 50° | 871                | 1,250  | 39              | 940-4000K  |

\*Lumens and CBCP are reference values for 3000K Color Temperature. Refer to Multiplier Table in Performance Data to determine other outputs.



## Panther

### Static White

PAL4 (19W)

Fixture Type: \_\_\_\_\_

Project: \_\_\_\_\_

Catalog#: \_\_\_\_\_

Location: \_\_\_\_\_

### ORDERING INFORMATION

| CONFIGURATION TABLE |   |                             |                         |                   |
|---------------------|---|-----------------------------|-------------------------|-------------------|
| Model & Power       | Dimming                                 | Beam Angle                  | Color Temperature & CRI | Housing Finish    |
| <b>PAL4 (19W)</b>   | <b>L</b> - 0-10V<br><b>D</b> - DMX512-A | <b>U</b> - Ultra Narrow 6°  | <b>927</b> - 2700K - 90 | <b>BK</b> - BLACK |
|                     |   | <b>S</b> - Spot 13°         | <b>930</b> - 3000K - 90 |                   |
|                     |   | <b>N</b> - Narrow Flood 22° | <b>940</b> - 4000K - 90 |                   |
|                     |   | <b>M</b> - Medium Flood 34° |                         |                   |
|                     |   | <b>W</b> - Wide Flood 50°   |                         |                   |

### PAL4-19\_ - \_\_\_\_ -BK

Example: PAL4-19D-M930-BK

| ACCESSORIES   |                                       |
|---------------|---------------------------------------|
| PAL4-SHR-BK   | <i>Panther 4" Shroud - Black</i>      |
| PAL4-SNOOT-BK | <i>Panther 4" Snoot - Black</i>       |
| AL-TMS-BK     | <i>Tree Mount Bracket - Small</i>     |
| AL-TML-BK     | <i>Tree Mount Bracket - Large</i>     |
| AL-TRM-BK     | <i>Tree Ring Mount</i>                |
| M6000-STAKE   | <i>Ground Stake</i>                   |
| AL-PM-BK      | <i>Pole Mount Bracket</i>             |
| AL-PS-3-BK    | <i>3" Pole Sleeve</i>                 |
| AL-PCM-S-BK   | <i>Pole Clamp - Single</i>            |
| AL-PCM-AD-BK  | <i>Pole Clamp Adjustable - Double</i> |

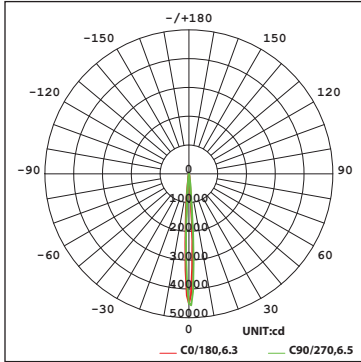
Fixture Type: \_\_\_\_\_  
 Project: \_\_\_\_\_  
 Catalog#: \_\_\_\_\_  
 Location: \_\_\_\_\_

**PERFORMANCE DATA**

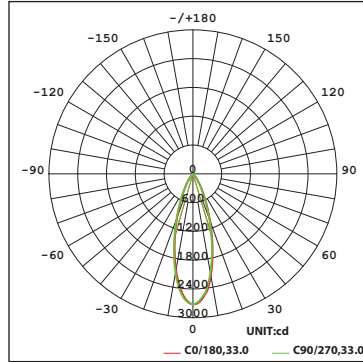
**Polar Candela Distribution Charts**

Samples shown from a fixture set to 3000K.

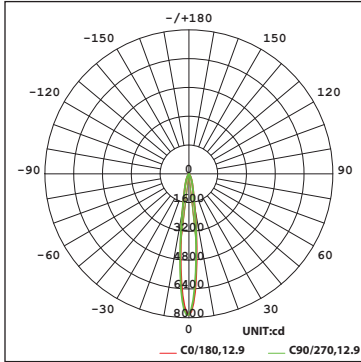
**U - Ultra Narrow 6°**



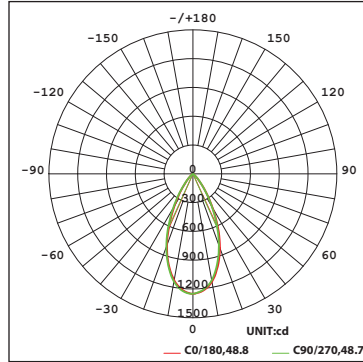
**M - Medium Flood Beam 34°**



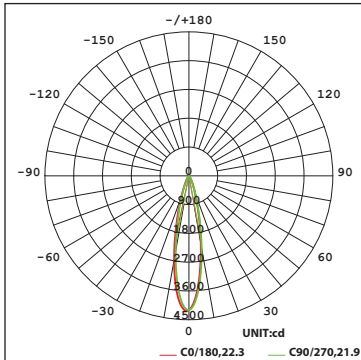
**S - Spot Beam 13°**



**W - Wide Flood 50°**



**N - Narrow Flood Beam 22°**



## Panther Static White PAL4 (19W)

Fixture Type: \_\_\_\_\_  
 Project: \_\_\_\_\_  
 Catalog#: \_\_\_\_\_  
 Location: \_\_\_\_\_

### PERFORMANCE DATA

#### Unified Glare Rating (UGR) Table

Samples shown from a fixture with an Ultra Narrow 6° beam set to 3000K. General performance of other beam angles shown below.

| ceiling/cavity  | 0.7              | 0.7 | 0.5 | 0.5 | 0.3 | 0.7            | 0.7 | 0.5 | 0.5 | 0.3 |     |
|-----------------|------------------|-----|-----|-----|-----|----------------|-----|-----|-----|-----|-----|
| walls           | 0.5              | 0.3 | 0.5 | 0.3 | 0.3 | 0.5            | 0.3 | 0.5 | 0.3 | 0.3 |     |
| working plane   | 0.2              | 0.2 | 0.2 | 0.2 | 0.2 | 0.2            | 0.2 | 0.2 | 0.2 | 0.2 |     |
| Room dimensions | Viewed crosswise |     |     |     |     | Viewed endwise |     |     |     |     |     |
| x = 2H y = 2H   | 2.1              | 2.6 | 2.3 | 2.8 | 2.9 | 2.3            | 2.8 | 2.5 | 2.9 | 3.1 |     |
| 3H              | 2.0              | 2.5 | 2.2 | 2.6 | 2.8 | 2.2            | 2.6 | 2.4 | 2.8 | 3.0 |     |
| 4H              | 1.9              | 2.4 | 2.2 | 2.6 | 2.8 | 2.1            | 2.5 | 2.3 | 2.7 | 2.9 |     |
| 6H              | 1.9              | 2.3 | 2.1 | 2.5 | 2.7 | 2.0            | 2.4 | 2.3 | 2.7 | 2.9 |     |
| 8H              | 1.8              | 2.2 | 2.1 | 2.5 | 2.7 | 2.0            | 2.4 | 2.3 | 2.6 | 2.9 |     |
| 12H             | 1.8              | 2.2 | 2.1 | 2.4 | 2.7 | 1.9            | 2.3 | 2.2 | 2.6 | 2.8 |     |
| 4H              | 2H               | 2.0 | 2.4 | 2.2 | 2.6 | 2.8            | 2.1 | 2.6 | 2.4 | 2.8 | 3.0 |
| 3H              | 1.8              | 2.2 | 2.1 | 2.5 | 2.7 | 2.0            | 2.4 | 2.3 | 2.6 | 2.9 |     |
| 4H              | 1.7              | 2.1 | 2.0 | 2.4 | 2.7 | 1.9            | 2.2 | 2.2 | 2.5 | 2.8 |     |
| 6H              | 1.6              | 1.9 | 2.0 | 2.3 | 2.6 | 1.8            | 2.1 | 2.1 | 2.4 | 2.8 |     |
| 8H              | 1.6              | 1.9 | 1.9 | 2.2 | 2.6 | 1.7            | 2.0 | 2.1 | 2.4 | 2.7 |     |
| 12H             | 1.5              | 1.8 | 1.9 | 2.1 | 2.5 | 1.7            | 1.9 | 2.1 | 2.3 | 2.7 |     |
| 8H              | 4H               | 1.6 | 1.9 | 1.9 | 2.2 | 2.6            | 1.7 | 2.0 | 2.1 | 2.4 | 2.7 |
| 6H              | 1.4              | 1.7 | 1.9 | 2.1 | 2.5 | 1.6            | 1.8 | 2.0 | 2.2 | 2.6 |     |
| 8H              | 1.4              | 1.6 | 1.8 | 2.0 | 2.5 | 1.5            | 1.8 | 2.0 | 2.2 | 2.6 |     |
| 12H             | 1.3              | 1.5 | 1.8 | 1.9 | 2.4 | 1.5            | 1.7 | 1.9 | 2.1 | 2.6 |     |
| 12H             | 4H               | 1.5 | 1.8 | 1.9 | 2.1 | 2.5            | 1.6 | 1.9 | 2.0 | 2.3 | 2.7 |
| 6H              | 1.4              | 1.6 | 1.8 | 2.0 | 2.5 | 1.5            | 1.8 | 2.0 | 2.2 | 2.6 |     |
| 8H              | 1.3              | 1.5 | 1.8 | 1.9 | 2.4 | 1.5            | 1.7 | 1.9 | 2.1 | 2.6 |     |

| Fixture      | Angle | UGR Range |
|--------------|-------|-----------|
| Very Narrow  | 6°    | ≤3        |
| Spot         | 13°   | ≤10       |
| Narrow Flood | 22°   | ≤9        |
| Medium Flood | 34°   | ≤13       |
| Wide Flood   | 50°   | ≤17       |

#### Lumens and CBCP Multiplier Table

Use the below table to determine lumens and CBCP values for the combinations of power, color temperature, and CRI values.

| Color Temperature |       |       |       |       |
|-------------------|-------|-------|-------|-------|
| 2700K             | 3000K | 3500K | 4000K | 5000K |
| 0.96              | 1.00  | 1.04  | 1.07  | 1.12  |