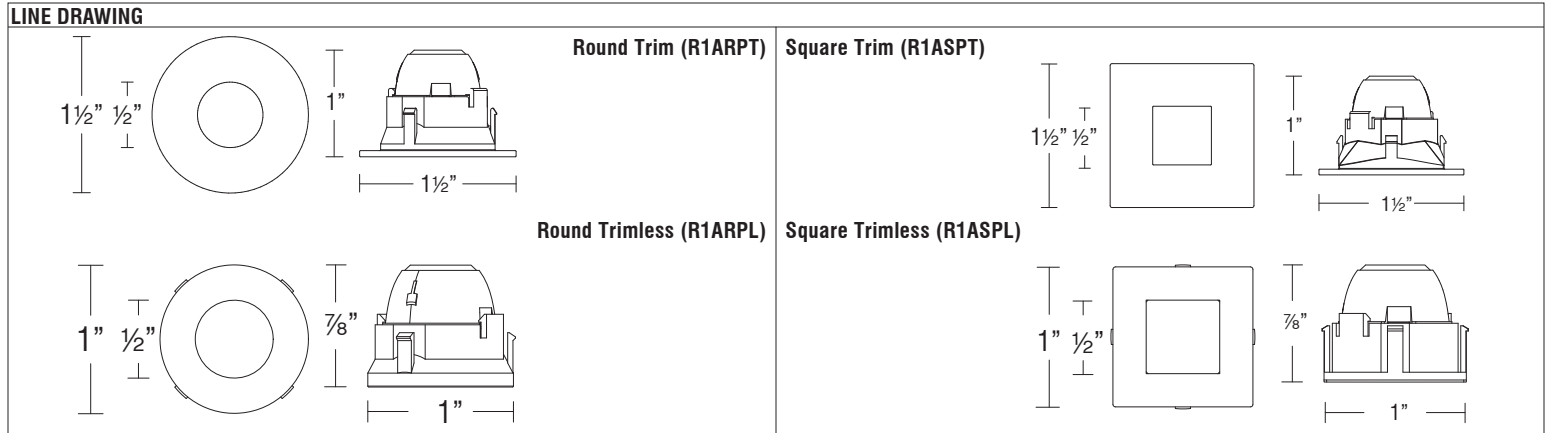


## AETHER

### Atomic - Pinhole

R1ARPT | R1ARPL | R1ASPT | R1ASPL

Fixture Type: \_\_\_\_\_  
 Project: \_\_\_\_\_  
 Catalog#: \_\_\_\_\_  
 Location: \_\_\_\_\_



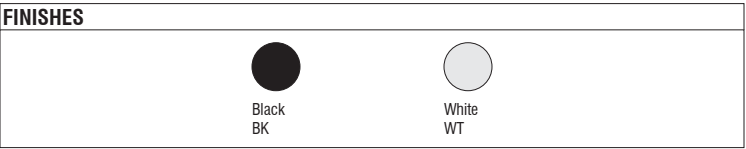
**PRODUCT DESCRIPTION**

Minuscule and mighty, peerless and powerful, the new potent Aether Atomic launches into the light. An engineering recessed marvel for next generation futurists. Sublime and serviceable, it's an icon for the ages. Atomic breaks the mold with robust illumination from a diminutive aperture, for a clean, quiet ceiling.



**SPECIFICATIONS**

|                                     |  |
|-------------------------------------|--|
| <b>Construction:</b>                | Injection molded polycarbonate low glare trim  |
| <b>Mounting:</b>                    | Heavy gauge retention clips support trim firmly<br>Ceiling cut out (Round): Trim $\varnothing$ 1 1/4" $\bigcirc$<br>Trimless $\varnothing$ 1 1/4" $\bigcirc$<br>Ceiling cut out (Square): Trim 1 1/4" x 1 1/4" $\square$<br>Trimless 1 1/4" x 1 1/4" $\square$<br>Accommodates 1/2" - 2" ceiling thickness |
| <b>Light Source:</b>                | High output 3-step Mac Adam Ellipse COB<br>Rated life of 50,000 hours at L70   |
| <b>Input:</b>                       | Universal 120-277V AC, 50/60 Hz  |
| <b>Dimming:</b>                     | ELV, TRIAC, and 0-10V: 100 - 1%  |
| <b>Maximum Delivered Intensity:</b> | Up to 2,708 cd (Square Narrow Flood 26°, 4000K)  |
| <b>Maximum Delivered Output:</b>    | Up to 667 lm (Square Flood 32°, 4000K)   |
| <b>Operating Temperature:</b>       | -4°F to 104°F (-20°C to 40°C)  |
| <b>Standards:</b>                   | ETL & cETL Wet location listed, IC rated Airtight, Title 24 JA8 Compliant  |
| <b>Warranty:</b>                    | 5 year WAC Lighting guaranteed warranty  |



| Model                  | Beam  | Lumens      | CBCP | Color Temp                      | CRI |
|------------------------|-------|-------------|------|---------------------------------|-----|
|                        |       | Ref Output* |      |                                 |     |
| R1ARPT Round Trim      | N 26° | Round 460   | 1845 | 927 - 2700K                     | 90  |
| R1ARPL Round Trimless  |       | Square 550  | 2375 | 930 - 3000K                     |     |
| R1ASPT Square Trim     | F 32° | Round 500   | 1600 | 935 - 3500K                     |     |
| R1ASPL Square Trimless |       | Square 585  | 1965 | 940 - 4000K<br>WD - 3000K-1800K |     |

Lumens and CBCP are reference values for fixtures set to 3000K Color Temperature. Refer to Multiplier Table in Performance Data to determine other outputs.



# AETHER

## Atomic - Pinhole

R1ARPT | R1ARPL | R1ASPT | R1ASPL

Fixture Type: \_\_\_\_\_  
 Project: \_\_\_\_\_  
 Catalog#: \_\_\_\_\_  
 Location: \_\_\_\_\_

### ORDERING INFORMATION

| CONFIGURATION TABLE |                   |
|---------------------|-------------------|
| Model & Power       | Finishes          |
| <b>R1ARPT</b>       | <b>BK - BLACK</b> |
| <b>R1ASPT</b>       | <b>WT - WHITE</b> |
| <b>R1ARPL</b>       |                   |
| <b>R1ASPL</b>       |                   |

**R1A**\_\_\_\_ - \_\_\_\_  
 Example: R1ARPT-BK

| HOUSINGS (Required)                              |       |                              |  |
|--|-------|------------------------------|--|
| Model  | Power | Color Temperature & CRI      |  |
| IC-Rated, Airtight Round Trim<br><br>R1ARNT      | 11W   | 927 - 2700K - 90             |  |
|  |       | 930 - 3000K - 90             |  |
|  |       | 935 - 3500K - 90             |  |
|  |       | 940 - 4000K - 90             |  |
|  |       | <b>WD - 3000K-1800K - 90</b> |  |
| IC-Rated, Airtight Square Trim<br><br>R1ASNT     | 11W   | 927 - 2700K - 90             |  |
|  |       | 930 - 3000K - 90             |  |
|  |       | 935 - 3500K - 90             |  |
|  |       | 940 - 4000K - 90             |  |
|  |       | <b>WD - 3000K-1800K - 90</b> |  |
| IC-Rated, Airtight Round Trimless<br><br>R1ARRL  | 11W   | 927 - 2700K - 90             |  |
|  |       | 930 - 3000K - 90             |  |
|  |       | 935 - 3500K - 90             |  |
|  |       | 940 - 4000K - 90             |  |
|  |       | <b>WD - 3000K-1800K - 90</b> |  |
| IC-Rated, Airtight Square Trimless<br><br>R1ASRL | 11W   | 927 - 2700K - 90             |  |
|  |       | 930 - 3000K - 90             |  |
|  |       | 935 - 3500K - 90             |  |
|  |       | 940 - 4000K - 90             |  |
|  |       | <b>WD - 3000K-1800K - 90</b> |  |

**R1A**\_\_\_\_ - \_\_\_\_  
 Example: R1ARRL-927

| ORDERING NOTES   |
|--|
| 1. Both reflector options (N-26° and F-32°) are included.                            |
| 2. The Dim-to-Warm option (WD) is not usable with the Narrow Flood (26°) beam angle. |

| POWER SUPPLIES (Required) |           |                          |
|---------------------------|-----------|--------------------------|
| Model                     | Input     | Output                   |
| PS-0600A-UR1              | 120V-277V | 1 Channel<br>UL Class 2  |
| PS-0600A-UR6              | 120V-277V | 6 Channels<br>UL Class 2 |

**PS-0600A-UR**\_\_\_\_  
 Example: PS-0600A-UR1

| Accessories |   |
|-------------|---|
| Model       | Description                                     |
| R1A-TOOL    | Service tool for removing trim and light engine |

# AETHER

## Atomic - Pinhole

R1ARPT | R1ARPL | R1ASPT | R1ASPL

Fixture Type: \_\_\_\_\_

Project: \_\_\_\_\_

Catalog#: \_\_\_\_\_

Location: \_\_\_\_\_

### FEATURES

|  |  |
|--|--|
| <p><b>Optics:</b></p> <ul style="list-style-type: none"> <li>• Strong lumen output from ½” or 1” aperture</li> <li>• Up to 626 lumens at 3000K and 667 lumens at 4000K</li> <li>• Removable and replaceable light engine</li> </ul>  | <p><b>Construction:</b></p> <ul style="list-style-type: none"> <li>• Injection molded polycarbonate trim produces low glare</li> <li>• Low profile housing for installation in shallow plenums</li> </ul>  |
| <p><b>LED:</b></p> <ul style="list-style-type: none"> <li>• High output COB LED with a 3-step Mac Adam ellipse</li> <li>• Rated operational life of 50,000 hours at L70 (LED maintains 70% of its initial delivered lumens when brand new for 50,000 hours of use.)</li> </ul>   | <p><b>Trim and Reflector:</b></p> <ul style="list-style-type: none"> <li>• Field changeable beam angle with reflectors that are provided with every fixture</li> </ul>   |
| <p><b>Electrical:</b></p> <ul style="list-style-type: none"> <li>• Aether Atomic is compatible with 120-277 VAC, 50/60 Hz</li> <li>• Aether Atomic is only available in an 11W power level</li> </ul>  | <p><b>Installation:</b></p> <ul style="list-style-type: none"> <li>• Requires housing for installation</li> <li>• Trim and trimless Aether Atomic housings are all IC-rated</li> <li>• Aether Atomic housings are suitable for drywall and grid ceilings between ½” - ¾” thick and wood ceilings between ½” - 2” thick.</li> </ul> |
| <p><b>Dimming:</b></p> <ul style="list-style-type: none"> <li>• Electronic Low Voltage (ELV), TRIAC, and 0-10V dimming are available</li> <li>• Each dimming option is capable of a 100 - 1% range</li> </ul>  | <p><b>Warranty:</b></p> <ul style="list-style-type: none"> <li>• WAC Architectural limited warranty up to 5 years</li> <li>• Full warranty found at: <a href="http://waclighting.com/warranty">waclighting.com/warranty</a></li> </ul>   |
| <p><b>Notes:</b></p> <ul style="list-style-type: none"> <li>• Trim and trimless fixtures of the same shape (Round/Square) have the same performance. Minor variations occur due to fixture shape.</li> <li>• The White and Black finishes are powder coated while the Haze is enamel coated and the Copper Bronze is plated and brushed.</li> <li>• The Aether Atomic service tool (R1A-TOOL) is required for fixture angle adjustment and trim and light engine removal.</li> </ul> |  |

# AETHER

## Atomic - Pinhole

R1ARPT | R1ARPL | R1ASPT | R1ASPL

Fixture Type: \_\_\_\_\_

Project: \_\_\_\_\_

Catalog#: \_\_\_\_\_

Location: \_\_\_\_\_

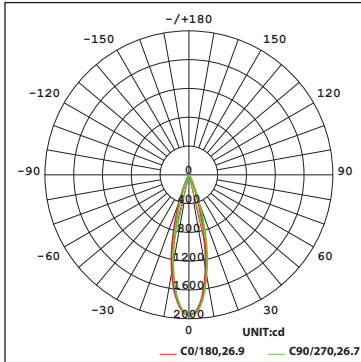
### PERFORMANCE DATA

#### Polar Candela Distribution Charts

Samples shown with a 11W fixture with a Black finished reflector set to 3000K.

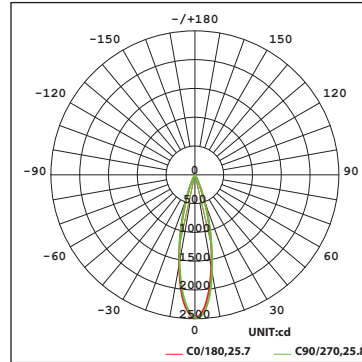
#### ROUND

Narrow Flood Beam: 26° Beam

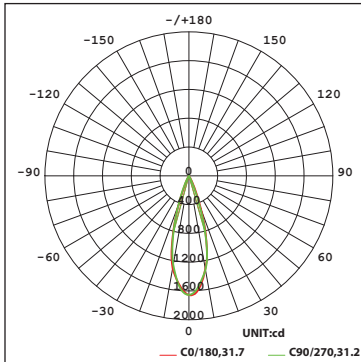


#### SQUARE

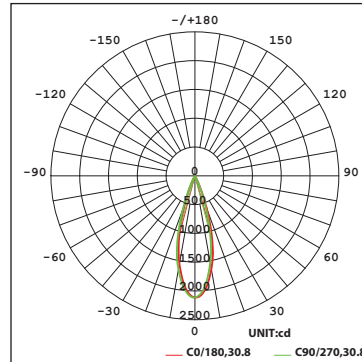
Narrow Flood Beam: 26° Beam



Flood Beam: 32° Beam



Flood Beam: 32° Beam



# AETHER

## Atomic - Pinhole

R1ARPT | R1ARPL | R1ASPT | R1ASPL

Fixture Type: \_\_\_\_\_

Project: \_\_\_\_\_

Catalog#: \_\_\_\_\_

Location: \_\_\_\_\_

### PERFORMANCE DATA

#### Unified Glare Rating (UGR) Table

UGR values shown are calculated for a Round Trim fixture with a Narrow Flood Beam (26°) optic at 3000K and 90 CRI. General performance of other beam angles shown below.

| ceiling/cavity  | 0.7              | 0.7   | 0.5   | 0.5   | 0.3   | 0.7            | 0.7   | 0.5   | 0.5   | 0.3   |       |
|-----------------|------------------|-------|-------|-------|-------|----------------|-------|-------|-------|-------|-------|
| walls           | 0.5              | 0.3   | 0.5   | 0.3   | 0.3   | 0.5            | 0.3   | 0.5   | 0.3   | 0.3   |       |
| working plane   | 0.2              | 0.2   | 0.2   | 0.2   | 0.2   | 0.2            | 0.2   | 0.2   | 0.2   | 0.2   |       |
| Room dimensions | Viewed crosswise |       |       |       |       | Viewed endwise |       |       |       |       |       |
| x = 2H y = 2H   | -11.6            | -10.9 | -11.4 | -10.8 | -10.6 | -12.5          | -11.8 | -12.3 | -11.7 | -11.5 |       |
| 3H              | -11.7            | -11.1 | -11.4 | -10.9 | -10.7 | -12.6          | -12.0 | -12.3 | -11.8 | -11.6 |       |
| 4H              | -11.7            | -11.2 | -11.5 | -11.0 | -10.8 | -12.6          | -12.1 | -12.4 | -11.9 | -11.7 |       |
| 6H              | -11.7            | -11.2 | -11.5 | -11.0 | -10.7 | -12.7          | -12.2 | -12.4 | -11.9 | -11.7 |       |
| 8H              | -11.7            | -11.2 | -11.4 | -11.0 | -10.7 | -12.7          | -12.2 | -12.4 | -12.0 | -11.7 |       |
| 12H             | -11.6            | -11.1 | -11.3 | -10.8 | -10.6 | -12.7          | -12.2 | -12.4 | -11.9 | -11.7 |       |
| 4H              | 2H               | -11.8 | -11.2 | -11.5 | -11.0 | -10.8          | -12.7 | -12.1 | -12.4 | -11.9 | -11.7 |
|                 | 3H               | -11.9 | -11.4 | -11.6 | -11.1 | -10.9          | -12.8 | -12.3 | -12.5 | -12.0 | -11.8 |
|                 | 4H               | -11.9 | -11.5 | -11.6 | -11.2 | -10.9          | -12.8 | -12.4 | -12.5 | -12.1 | -11.8 |
|                 | 6H               | -11.9 | -11.5 | -11.5 | -11.2 | -10.8          | -12.9 | -12.5 | -12.5 | -12.2 | -11.8 |
|                 | 8H               | -11.8 | -11.4 | -11.4 | -11.1 | -10.7          | -12.9 | -12.5 | -12.5 | -12.2 | -11.8 |
|                 | 12H              | -11.6 | -11.2 | -11.2 | -10.8 | -10.5          | -12.8 | -12.5 | -12.4 | -12.1 | -11.7 |
| 8H              | 4H               | -12.1 | -11.7 | -11.7 | -11.4 | -11.0          | -13.0 | -12.6 | -12.6 | -12.2 | -11.9 |
|                 | 6H               | -12.0 | -11.7 | -11.6 | -11.3 | -10.9          | -13.0 | -12.7 | -12.6 | -12.3 | -11.9 |
|                 | 8H               | -11.8 | -11.5 | -11.3 | -11.1 | -10.7          | -13.0 | -12.7 | -12.6 | -12.3 | -11.9 |
|                 | 12H              | -11.3 | -11.0 | -10.8 | -10.6 | -10.1          | -12.8 | -12.6 | -12.3 | -12.1 | -11.7 |
| 12H             | 4H               | -12.1 | -11.8 | -11.7 | -11.4 | -11.0          | -13.0 | -12.7 | -12.6 | -12.3 | -11.9 |
|                 | 6H               | -12.0 | -11.8 | -11.6 | -11.3 | -10.9          | -13.0 | -12.8 | -12.6 | -12.3 | -11.9 |
|                 | 8H               | -11.8 | -11.6 | -11.3 | -11.1 | -10.7          | -13.0 | -12.8 | -12.6 | -12.4 | -11.9 |

| Round Fixture | Angle | UGR Range |
|---------------|-------|-----------|
| Narrow Flood  | 26°   | ≤0        |
| Flood         | 36°   | ≤0        |

| Square Fixture | Angle | UGR Range |
|----------------|-------|-----------|
| Narrow Flood   | 26°   | ≤0        |
| Flood          | 36°   | ≤0        |

#### Lumens and CBCP Multiplier Table

Use the below table to determine lumens and CBCP values for the combinations of power, color temperature, and CRI values.

| Color Temperature |       |       |       |
|-------------------|-------|-------|-------|
| 2700K             | 3000K | 3500K | 4000K |
| 0.93              | 1.00  | 1.07  | 1.14  |

## AETHER

### Atomic - Pinhole

R1ARPT | R1ARPL | R1ASPT | R1ASPL

Fixture Type: \_\_\_\_\_

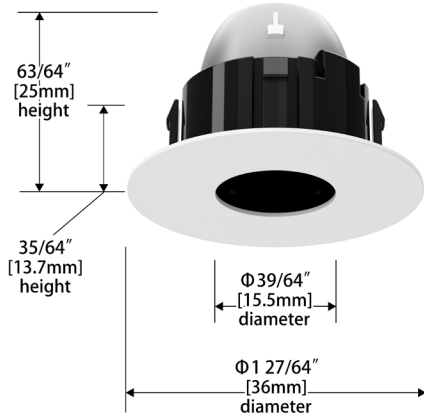
Project: \_\_\_\_\_

Catalog#: \_\_\_\_\_

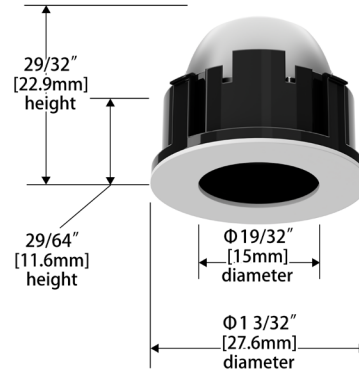
Location: \_\_\_\_\_

### DIMENSIONAL DIAGRAMS

#### Trim



#### Trimless



AETHER

Atomic - Pinhole

R1ARPT | R1ARPL | R1ASPT | R1ASPL

Fixture Type: \_\_\_\_\_

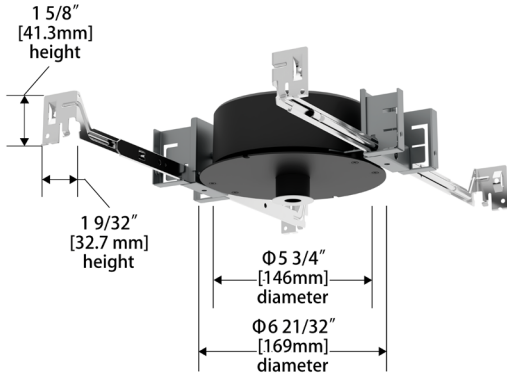
Project: \_\_\_\_\_

Catalog#: \_\_\_\_\_

Location: \_\_\_\_\_

**DIMENSIONAL DIAGRAMS**

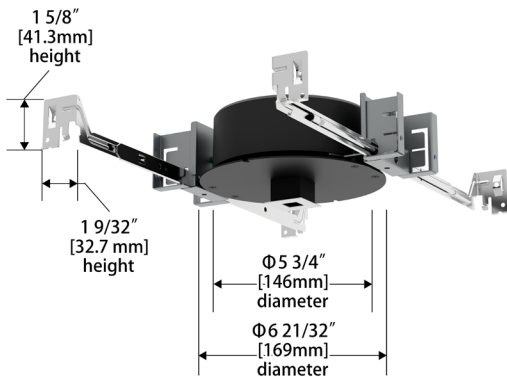
**New Construction - Round Trim**



**New Construction - Round Trimless**



**New Construction - Square Trim**



**New Construction - Square Trimless**

