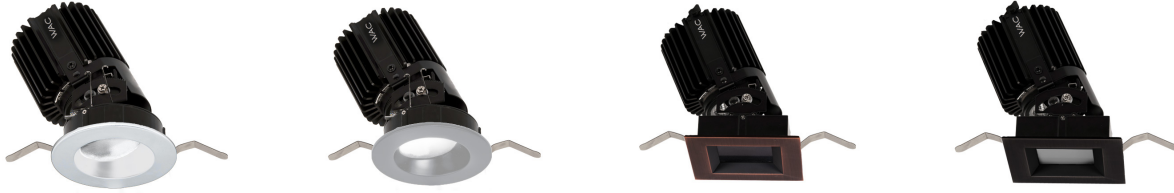


Volta

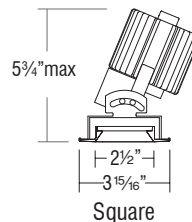
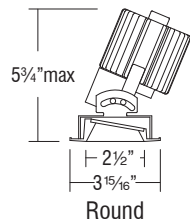
Static White - 2" Adjustable

R2RAT | R2SAT

Fixture Type: _____
 Project: _____
 Catalog#: _____
 Location: _____



LINE DRAWING



PRODUCT DESCRIPTION

Volta LED downlight series represents an innovation in design and technology for architectural lighting. This high lumen and adaptable family of fixtures with a comprehensive set of round and square fittings, affords a sustainable solution for commercial, corporate, and upscale residential applications. The Adjustable Volta fixtures are capable of adjusting 0-45° vertically and 365° horizontally with locking positions.

SPECIFICATIONS

Construction:	Durable die-cast self flanged aluminum construction
Mounting:	Heavy gauge retention clips support trim firmly Ceiling cut out (Round): Trim \varnothing 3 9/16" \bigcirc Trimless \varnothing 4 1/4" \bigcirc Ceiling cut out (Square): Trim 3 9/16" x 3 9/16" \square Trimless 4 1/4" x 4 1/4" \square Accommodates 1/2" - 1 1/2" ceiling thickness
Light Source:	High output 3-step Mac Adam Ellipse COB Rated life of 50,000 hours at L70
Input:	Universal 120-277V AC, 50/60 Hz
Dimming:	0-10V: 100-0% Electronic Low Voltage (ELV): 100-5% Lutron Hi-Lume 1% Ecosystem Fade-to-Black option
Maximum Delivered Intensity:	Up to 6,377 cd (Square Narrow Flood 25°, 4000K, CRI 85)
Maximum Delivered Output:	Up to 1,113 lm (Square Narrow Flood 25°, 4000K, CRI 85)
Standards:	ETL & cETL Wet location listed, Title 24 JA8 Compliant
Warranty:	5 year WAC Lighting guaranteed warranty

BEAM ANGLES



FINISHES



Model	Beam	Lumens	CBCP	Color Temp	CRI
		Ref Output*			
R2RAT R2SAT	S 12°	Round	335	4300	85
		Square	360	5805	85
	N 25°	Round	915	5340	85
		Square	1040	5960	85
	F 35°	Round	940	2910	90
		Square	1015	3215	90

Lumens and CBCP are reference values for 3000K Color Temperature and 85 CRI with 22 housing. Refer to Multiplier Table in Performance Data to determine other outputs.

Volta

Static White - 2" Adjustable

R2RAT | R2SAT

Fixture Type: _____

Project: _____

Catalog#: _____

Location: _____

ORDERING INFORMATION

CONFIGURATION TABLE				
Model & Power	Beam	Color Temperature & CRI	Reflector Finish	Trim Finish
R2RAT R2SAT	S: Spot - 12°	827 - 2700K - 85	BK - BLACK	WT - WHITE
	N: Narrow Flood - 25°	830 - 3000K - 85	CB - COPPER	
	F: Flood - 35°	835 - 3500K - 85	HZ - HAZE	
		840 - 4000K - 85	WT - WHITE	
		927 - 2700K - 90		
		930 - 3000K - 90		

R2RAT-____-__

Example: R2RAT-N840-WT

HOUSINGS (Required)										
Model	Trim	Power	S	N,F,W	Rating	Driver	Emergency Backup			
New Construction Airtight	R2RN (Round)	T <i>Trim</i>	15	<i>10W</i>	<i>15W</i>	<i>IC</i>	DEFAULT <i>ELV, 0-10V</i>	EM <i>Optional</i>		
	R2SN (Square)	L <i>Trimless</i>	22	<i>15W</i>	<i>22W</i>	<i>IC</i>	L1 <i>Lutron Hi-Lume 1%</i>			
New Construction Airtight Chicago Plenum	R2RC (Round)	T <i>Trim</i>	15	<i>10W</i>	<i>15W</i>	<i>IC</i>	DEFAULT <i>ELV, 0-10V</i>	EM <i>Optional</i>		
	R2SC (Square)	L <i>Trimless</i>	22	<i>15W</i>	<i>22W</i>	<i>IC</i>	L1 <i>Lutron Hi-Lume 1%</i>			
Remodel Round or Square	R2BR	T <i>Trim</i>	15	<i>10W</i>	<i>15W</i>	<i>Non-IC</i>	DEFAULT <i>ELV, 0-10V</i>	N/A		
			22	<i>15W</i>	<i>22W</i>	<i>Non-IC</i>				
Remodel	R2RR (Round)	L <i>Trimless</i>	15	<i>15W</i>	<i>15W</i>	<i>Non-IC</i>	DEFAULT <i>ELV, 0-10V</i>	N/A		
	R2SR (Square)		22	<i>22W</i>	<i>22W</i>	<i>Non-IC</i>				

ACCESSORIES			
LENS-16-HLD	<i>Accessory Holder</i>	LENS-16RED	<i>Red Lens</i>
LENS-16HCM	<i>Honeycomb Louver</i>	LENS-16FR	<i>Frosted Lens</i>
LENS-16CRL	<i>Cross Louver</i>	LENS-16SPR	<i>Spread Lens</i>
LENS-16AMB	<i>Amber Lens</i>	LENS-16BEL	<i>Beam Elongating Lens</i>
LENS-16BLU	<i>Blue Lens</i>		
LENS-16GRN	<i>Green Lens</i>		

CEILING ADAPTERS	
R2R-ADP1	<i>Round - ½" to 1" ceiling thickness</i>
R2R-ADP2	<i>Round - 1" to 1½" ceiling thickness</i>
R2S-ADP1	<i>Square - ½" to 1" ceiling thickness</i>
R2S-ADP2	<i>Square - 1" to 1½" ceiling thickness</i>

INTERCHANGEABLE REFLECTORS	
REF-R2-N	<i>Narrow Flood Beam</i>
REF-R2-F	<i>Flood Beam</i>
REF-R2-W	<i>Wide Beam</i>

ORDERING NOTES
1. The "White" trim finish is only available with the reflector finishes "Black" and "Haze".
2. The "Spot - 12°" beam angle is available in 10W and 15W.
3. The "Narrow Flood - 25°" and "Flood - 35°" beam angles are available in 15W and 22W.

wacarchitectural.com | WAC Architectural, a WAC Group brand.

WAC Group Headquarters
44 Harbor Park Drive
Port Washington, NY 11050

WAC Architectural
Phone (800) 526.2588
Fax (800) 526.2585

APR 2026 | P. 2 of 7

WAC GROUP

Volta

Static White - 2" Adjustable

R2RAT | R2SAT

Fixture Type: _____

Project: _____

Catalog#: _____

Location: _____

FEATURES

<p>Optics:</p> <ul style="list-style-type: none"> • 2" lens regress for superior glare control • Field selectable light engine height for cut-off angle adjustment (30°-34°) and accessory use 	<p>Construction:</p> <ul style="list-style-type: none"> • Durable die-cast self flanged aluminum construction • Heavy gauge retention clips support trim firmly
<p>LED:</p> <ul style="list-style-type: none"> • High output COB LED with a 3-step Mac Adam ellipse • Rated operational life of 50,000 hours at L70 (LED maintains 70% of its initial delivered lumens when brand new for 50,000 hours of use.) 	<p>Trim and Reflector:</p> <ul style="list-style-type: none"> • Integral patterned tempered trim lens included standard with every fixture • Dual finished fixtures are a single piece with no physical seams
<p>Electrical:</p> <ul style="list-style-type: none"> • Volta is compatible with 120-277 VAC, 50/60 Hz • Housings are available in 10W and 15W if using a Spot Beam. If using a Narrow, Flood, or Wide beam, the housings are available in 15W and 22W. 	<p>Installation:</p> <ul style="list-style-type: none"> • Requires housing for installation • New Construction housings for Volta 2" Static White are IC rated. • Remodel housings for Volta 2" Static White are non-IC rated.
<p>Dimming:</p> <ul style="list-style-type: none"> • Electronic Low Voltage (ELV) dimming is capable of a 100 - 5% range • 0-10V dimming is capable of a 100 - 0% range • The Lutron Hi-Lume 1% Ecosystem Fade-to-Black option is available 	<p>Warranty:</p> <ul style="list-style-type: none"> • WAC Architectural limited warranty up to 5 years • Full warranty found at: wacighting.com/warranty
<p>Notes:</p> <ul style="list-style-type: none"> • Trim and trimless fixtures of the same shape (Round/Square) have the same performance. Minor variations occur due to fixture shape. • The White and Black finishes are powder coated while the Haze is enamel coated and the Copper Bronze is plated and brushed. • The Volta product family is compatible with a wide range of accessories. 	

Volta

Static White - 2" Adjustable

R2RAT | R2SAT

Fixture Type: _____

Project: _____

Catalog#: _____

Location: _____

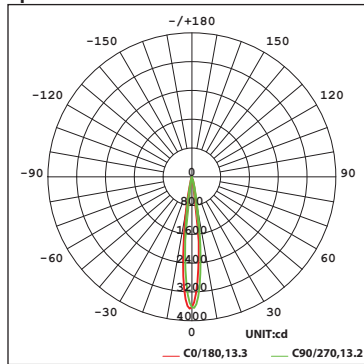
PERFORMANCE DATA

Polar Candela Distribution Charts

Samples shown with a 22W fixture set to 3000K and 90 CRI.

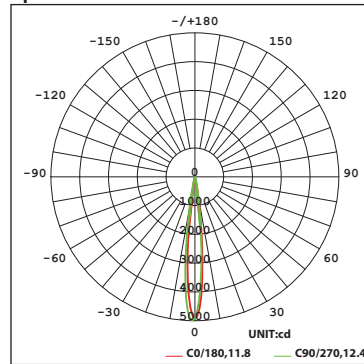
ROUND

Spot Beam: 12° Beam

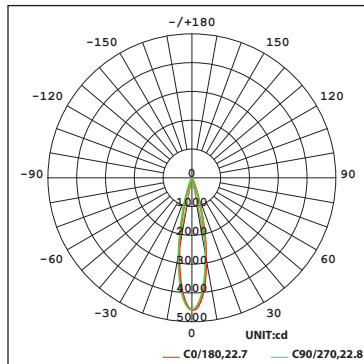


SQUARE

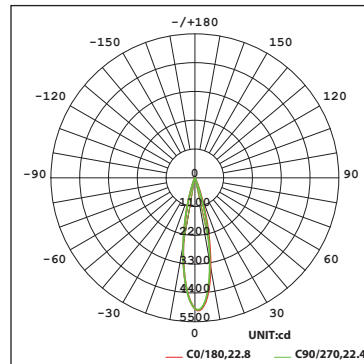
Spot Beam: 12° Beam



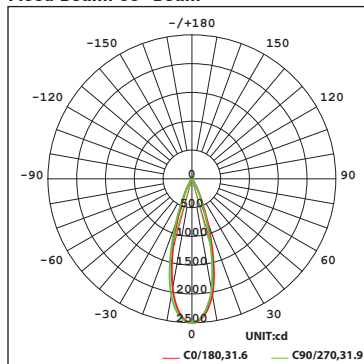
Narrow Flood Beam: 25° Beam



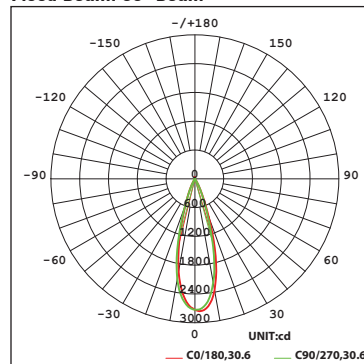
Narrow Flood Beam: 25° Beam



Flood Beam: 35° Beam



Flood Beam: 35° Beam



Volta

Static White - 2" Adjustable

R2RAT | R2SAT

Fixture Type: _____

Project: _____

Catalog#: _____

Location: _____

PERFORMANCE DATA

Unified Glare Rating (UGR) Table

UGR values shown are calculated for a Round Trim fixture with a 15W Spot Beam (12°) optic at 3000K and 90 CRI. General performance of other beam angles shown below.

ceiling/cavity	0.7	0.7	0.5	0.5	0.3	0.7	0.7	0.5	0.5	0.3	
walls	0.5	0.3	0.5	0.3	0.3	0.5	0.3	0.5	0.3	0.3	
working plane	0.2	0.2	0.2	0.2	0.2	0.2	0.2	0.2	0.2	0.2	
Room dimensions	Viewed crosswise					Viewed endwise					
x = 2H y = 2H	-0.5	0.0	-0.3	0.2	0.3	-0.9	-0.3	-0.7	-0.2	-0.0	
3H	-0.3	0.2	-0.1	0.4	0.6	-0.4	0.1	-0.2	0.3	0.5	
4H	-0.1	0.4	0.1	0.6	0.8	0.1	0.6	0.4	0.8	1.1	
6H	-0.1	0.4	0.2	0.6	0.9	0.3	0.8	0.6	1.0	1.3	
8H	-0.1	0.3	0.2	0.6	0.9	0.3	0.8	0.6	1.0	1.3	
12H	-0.2	0.3	0.2	0.6	0.8	0.3	0.8	0.6	1.0	1.3	
4H	2H	-0.6	-0.1	-0.3	0.2	0.4	-0.9	-0.4	-0.6	-0.2	0.1
	3H	0.3	0.7	0.6	1.0	1.3	0.4	0.8	0.7	1.1	1.4
	4H	0.6	1.1	1.0	1.4	1.7	1.2	1.6	1.5	1.9	2.2
	6H	0.7	1.1	1.1	1.4	1.8	1.4	1.8	1.8	2.1	2.5
	8H	0.7	1.0	1.1	1.4	1.8	1.4	1.8	1.8	2.1	2.5
	12H	0.6	1.0	1.1	1.3	1.8	1.5	1.8	1.9	2.2	2.6
8H	4H	1.8	2.2	2.2	2.5	2.9	2.2	2.5	2.6	2.9	3.3
	6H	1.9	2.2	2.4	2.6	3.1	2.5	2.8	2.9	3.2	3.6
	8H	1.9	2.2	2.4	2.6	3.1	2.6	2.8	3.0	3.3	3.7
	12H	1.9	2.1	2.4	2.6	3.0	2.6	2.8	3.1	3.3	3.8
12H	4H	1.8	2.1	2.2	2.5	2.9	2.2	2.5	2.6	2.9	3.3
	6H	2.0	2.2	2.5	2.7	3.1	2.5	2.8	3.0	3.2	3.7
	8H	2.0	2.2	2.5	2.7	3.2	2.6	2.8	3.1	3.3	3.8

Round Fixture	Angle	UGR Range
Spot	12°	≤4
Narrow Flood	25°	≤3
Flood	35°	≤5

Square Fixture	Angle	UGR Range
Spot	12°	≤1
Narrow Flood	25°	≤6
Flood	35°	≤7

Lumens and CBCP Multiplier Table

Use the below table to determine lumens and CBCP values for the combinations of power, color temperature, and CRI values.

Multiplier	HOUSING	TRIM					
		827	927	830	930	835	840
22		0.95	0.81	1.00	0.86	1.05	1.07
15		0.66	0.56	0.69	0.59	0.72	0.74

Volta

Static White - 2" Adjustable

R2RAT | R2SAT

Fixture Type: _____

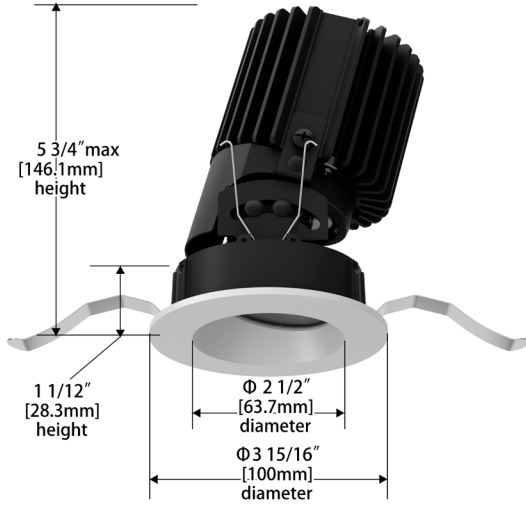
Project: _____

Catalog#: _____

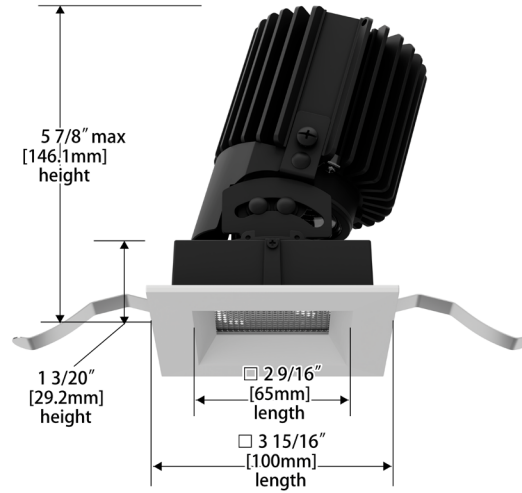
Location: _____

DIMENSIONAL DIAGRAMS

Round Trim (R2RAT)



Square Trim (R2SAT)



Volta

Static White - 2" Adjustable

R2RAT | R2SAT

Fixture Type: _____

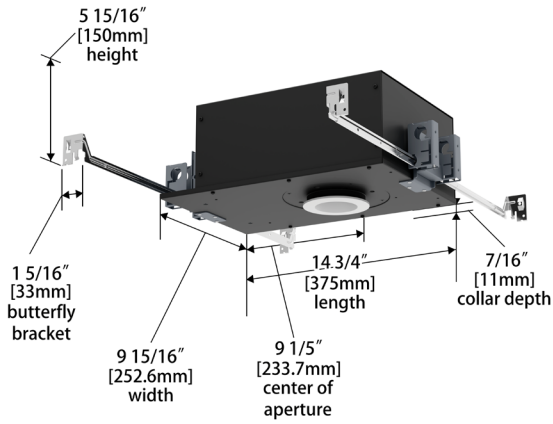
Project: _____

Catalog#: _____

Location: _____

DIMENSIONAL DIAGRAMS

New Construction - Round Trim



New Construction - Square Trim

