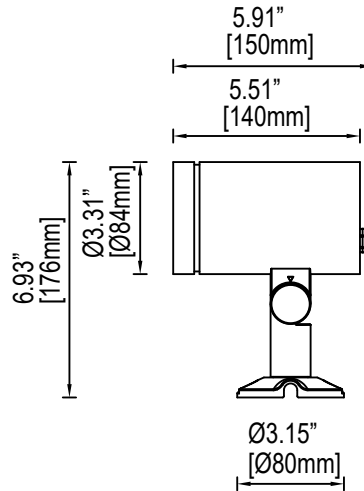


Ring Static White RAL3 (18W)

Fixture Type: _____
 Project: _____
 Catalog#: _____
 Location: _____



PRODUCT DESCRIPTION

The Ring series floodlights are professional LED luminaires designed by WAC for high-end outdoor lighting applications. The compact fixture body features efficient heat dissipation, helping to extend the lifespan of the LED. Its clean design and high-performance optical output enhance the surrounding environment. The Ring series is available in multiple sizes and incorporates the latest LED technology, allowing precise adjustment in both vertical and horizontal directions. It is suitable for projection lighting in areas such as building facades, landscapes, sculptures, and other architectural features.

SPECIFICATIONS

Construction:	Durable aluminum alloy lamp body
Mounting:	Outdoor installation
Light Source:	High output 3-step Mac Adam Ellipse COB Rated life of 50,000 hours at L70
Input:	Universal 120-277V AC, 50/60 Hz
Power:	18W
Dimming:	0-10V, DMX512-A with RDM
Maximum Delivered Intensity:	Up to 14,027 cd (Spot 17°, 4000K)
Maximum Delivered Output:	Up to 1,836 lm (Spot 17°, 4000K)
Operating Temperature:	-4°F to 122°F (-20°C to 50°C)
Standards:	ETL & cETL Wet location listed
Warranty:	5 year WAC Lighting guaranteed warranty

BEAM ANGLES



FINISHES



Model	Beam	Lumens Ref Output*	CBCP	Efficacy (lm/W)	Color Temp
RAL3 Ø84mm Ø3.3"	S 17°	1,639	12,524	80	927-2700K
	N 25°	1,529	7,545	75	930-3000K
	M 36°	1,533	4,603	75	940-4000K

*Lumens and CBCP are reference values for 3000K Color Temperature. Refer to Multiplier Table in Performance Data to determine other outputs.

Ring
 Static White
 RAL3 (18W)

Fixture Type: _____
 Project: _____
 Catalog#: _____
 Location: _____

ORDERING INFORMATION

CONFIGURATION TABLE				
Model & Power	Dimming	Beam Angle	Color Temperature & CRI	Housing Finish
RAL3 (18W)	L - 0-10V	S - Spot 17°	927 - 2700K - 90	BK - BLACK
	D - DMX512-A	N - Narrow Flood 25°	930 - 3000K - 90	
		M - Medium Flood 36°	940 - 4000K - 90	

RAL3-18 - ____ -BK

Example: RAL3-18D-M930-BK

ACCESSORIES	
RAL3-SHR-BK	Ring 3" Shroud - Black
RAL3-SNOOT-BK	Ring 3" Snoot - Black

Fixture Type: _____

Project: _____

Catalog#: _____

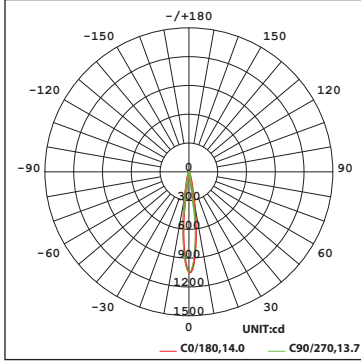
Location: _____

PERFORMANCE DATA

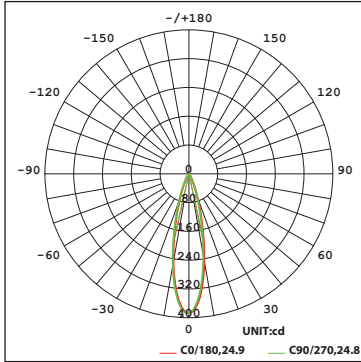
Polar Candela Distribution Charts

Samples shown from a fixture set to 3000K.

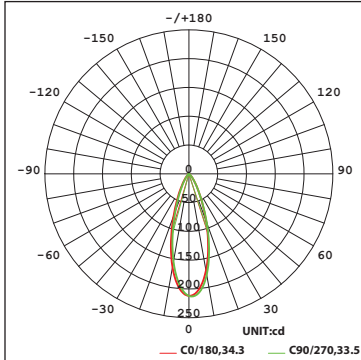
S - Spot Beam 17°



N - Narrow Flood Beam 25°



M - Medium Flood Beam 36°



Ring Static White RAL3 (18W)

Fixture Type: _____
 Project: _____
 Catalog#: _____
 Location: _____

PERFORMANCE DATA

Unified Glare Rating (UGR) Table

Samples shown from a fixture with a Spot 16° beam set to 3000K. General performance of other beam angles shown below.

ceiling/cavity	0.7	0.7	0.5	0.5	0.3	0.7	0.7	0.5	0.5	0.3	
walls	0.5	0.3	0.5	0.3	0.3	0.5	0.3	0.5	0.3	0.3	
working plane	0.2	0.2	0.2	0.2	0.2	0.2	0.2	0.2	0.2	0.2	
Room dimensions	Viewed crosswise					Viewed endwise					
x = 2H y = 2H	1.1	1.6	1.3	1.8	1.9	1.4	2.0	1.6	2.1	2.3	
3H	1.1	1.6	1.3	1.8	2.0	1.4	2.0	1.7	2.1	2.3	
4H	1.1	1.6	1.3	1.8	2.0	1.4	1.9	1.6	2.1	2.3	
6H	1.0	1.5	1.3	1.7	1.9	1.3	1.8	1.6	2.0	2.3	
8H	0.9	1.4	1.2	1.7	1.9	1.3	1.7	1.6	2.0	2.2	
12H	0.9	1.4	1.2	1.6	1.9	1.3	1.7	1.6	2.0	2.2	
4H	2H	1.1	1.6	1.3	1.8	2.0	1.4	1.9	1.7	2.1	2.3
3H	1.1	1.6	1.4	1.8	2.1	1.4	1.9	1.7	2.1	2.4	
4H	1.1	1.5	1.4	1.8	2.1	1.4	1.8	1.7	2.1	2.4	
6H	1.0	1.3	1.3	1.7	2.0	1.3	1.7	1.7	2.0	2.3	
8H	0.9	1.3	1.3	1.6	2.0	1.3	1.6	1.6	1.9	2.3	
12H	0.9	1.2	1.3	1.6	2.0	1.2	1.5	1.6	1.9	2.3	
8H	4H	0.9	1.3	1.3	1.6	2.0	1.2	1.6	1.6	1.9	2.3
6H	0.8	1.1	1.3	1.5	1.9	1.2	1.5	1.6	1.8	2.3	
8H	0.8	1.1	1.2	1.5	1.9	1.1	1.4	1.6	1.8	2.2	
12H	0.8	1.0	1.2	1.4	1.9	1.1	1.3	1.6	1.8	2.3	
12H	4H	0.9	1.2	1.3	1.6	1.9	1.2	1.5	1.6	1.9	2.3
6H	0.8	1.0	1.2	1.5	1.9	1.1	1.4	1.6	1.8	2.2	
8H	0.8	1.0	1.2	1.4	1.9	1.1	1.3	1.6	1.8	2.2	

Fixture	Angle	UGR Range
Spot	16°	≤2
Narrow Flood	25°	≤6
Medium Flood	35°	≤10

Lumens and CBCP Multiplier Table

Use the below table to determine lumens and CBCP values for the combinations of power, color temperature, and CRI values.

Color Temperature				
2700K	3000K	3500K	4000K	5000K
0.96	1.00	1.04	1.07	1.12