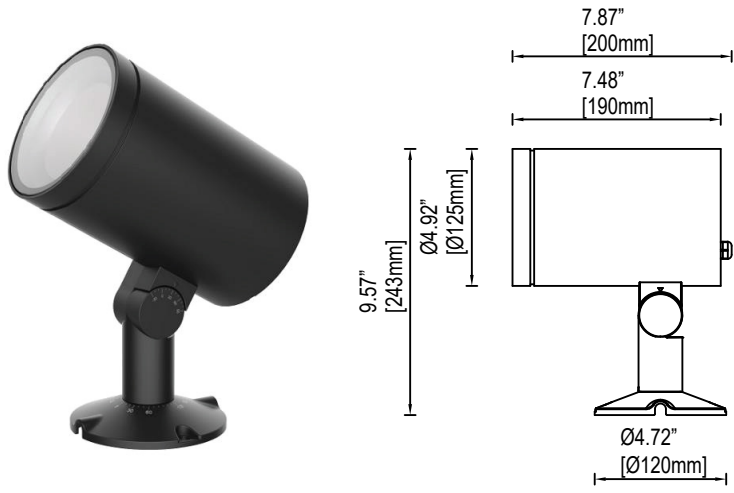
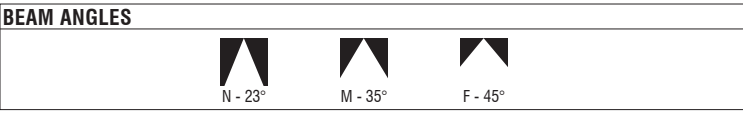


Ring Static White RAL5 (47W)

Fixture Type: _____
 Project: _____
 Catalog#: _____
 Location: _____

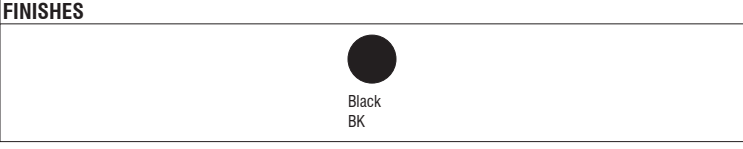


PRODUCT DESCRIPTION
 The Ring series floodlights are professional LED luminaires designed by WAC for high-end outdoor lighting applications. The compact fixture body features efficient heat dissipation, helping to extend the lifespan of the LED. Its clean design and high-performance optical output enhance the surrounding environment. The Ring series is available in multiple sizes and incorporates the latest LED technology, allowing precise adjustment in both vertical and horizontal directions. It is suitable for projection lighting in areas such as building facades, landscapes, sculptures, and other architectural features.



SPECIFICATIONS

Construction:	Durable aluminum alloy lamp body
Mounting:	Outdoor installation
Light Source:	High output 3-step Mac Adam Ellipse COB Rated life of 50,000 hours at L70
Input:	Universal 120-277V AC, 50/60 Hz
Power:	47W
Dimming:	0-10V, DMX512-A with RDM
Maximum Delivered Intensity:	Up to 21,152 cd (Narrow Flood 23°, 4000K)
Maximum Delivered Output:	Up to 5,843 lm (Narrow Flood 23°, 4000K)
Operating Temperature:	-4°F to 122°F (-20°C to 50°C)
Standards:	ETL & cETL Wet location listed
Warranty:	5 year WAC Lighting guaranteed warranty



Model	Beam	Lumens Ref Output*	CBCP	Efficacy (lm/W)	Color Temp
RAL5 Ø125mm Ø4.92"	N 23°	5,217	18,886	99	927-2700K
	M 35°	4,971	9,908	93	930-3000K
	F 45°	4,865	7,404	92	940-4000K

*Lumens and CBCP are reference values for 3000K Color Temperature. Refer to Multiplier Table in Performance Data to determine other outputs.

Ring
Static White
RAL5 (47W)

Fixture Type: _____
 Project: _____
 Catalog#: _____
 Location: _____

ORDERING INFORMATION

CONFIGURATION TABLE				
Model & Power	Dimming	Beam Angle	Color Temperature & CRI	Housing Finish
RAL5 (47W)	L - 0-10V	N - Narrow Flood 23°	927 - 2700K - 90	BK - BLACK
	D - DMX512-A	M - Medium Flood 35°	930 - 3000K - 90	
		F - Flood 45°	940 - 4000K - 90	

RAL5-47 - ____ -BK

Example: RAL5-47D-M930-BK

ACCESSORIES	
RAL5-SHR-BK	Ring 5" Shroud - Black
RAL5-SNOOT-BK	Ring 5" Snoot - Black

Fixture Type: _____

Project: _____

Catalog#: _____

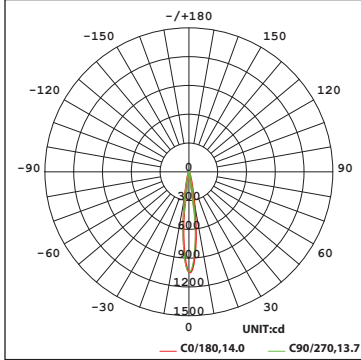
Location: _____

PERFORMANCE DATA

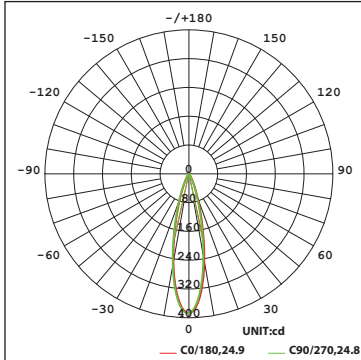
Polar Candela Distribution Charts

Samples shown from a fixture set to 3000K.

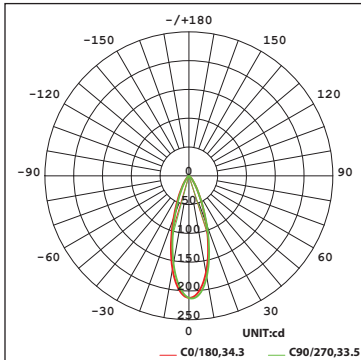
S - Spot Beam 17°



N - Narrow Flood Beam 25°



M - Medium Flood Beam 36°



Ring Static White RAL5 (47W)

Fixture Type: _____
 Project: _____
 Catalog#: _____
 Location: _____

PERFORMANCE DATA

Unified Glare Rating (UGR) Table

Samples shown from a fixture with a Spot 16° beam set to 3000K. General performance of other beam angles shown below.

ceiling/cavity	0.7	0.7	0.5	0.5	0.3	0.7	0.7	0.5	0.5	0.3	
walls	0.5	0.3	0.5	0.3	0.3	0.5	0.3	0.5	0.3	0.3	
working plane	0.2	0.2	0.2	0.2	0.2	0.2	0.2	0.2	0.2	0.2	
Room dimensions	Viewed crosswise					Viewed endwise					
x = 2H y = 2H	1.1	1.6	1.3	1.8	1.9	1.4	2.0	1.6	2.1	2.3	
3H	1.1	1.6	1.3	1.8	2.0	1.4	2.0	1.7	2.1	2.3	
4H	1.1	1.6	1.3	1.8	2.0	1.4	1.9	1.6	2.1	2.3	
6H	1.0	1.5	1.3	1.7	1.9	1.3	1.8	1.6	2.0	2.3	
8H	0.9	1.4	1.2	1.7	1.9	1.3	1.7	1.6	2.0	2.2	
12H	0.9	1.4	1.2	1.6	1.9	1.3	1.7	1.6	2.0	2.2	
4H	2H	1.1	1.6	1.3	1.8	2.0	1.4	1.9	1.7	2.1	2.3
3H	1.1	1.6	1.4	1.8	2.1	1.4	1.9	1.7	2.1	2.4	
4H	1.1	1.5	1.4	1.8	2.1	1.4	1.8	1.7	2.1	2.4	
6H	1.0	1.3	1.3	1.7	2.0	1.3	1.7	1.7	2.0	2.3	
8H	0.9	1.3	1.3	1.6	2.0	1.3	1.6	1.6	1.9	2.3	
12H	0.9	1.2	1.3	1.6	2.0	1.2	1.5	1.6	1.9	2.3	
8H	4H	0.9	1.3	1.3	1.6	2.0	1.2	1.6	1.6	1.9	2.3
6H	0.8	1.1	1.3	1.5	1.9	1.2	1.5	1.6	1.8	2.3	
8H	0.8	1.1	1.2	1.5	1.9	1.1	1.4	1.6	1.8	2.2	
12H	0.8	1.0	1.2	1.4	1.9	1.1	1.3	1.6	1.8	2.3	
12H	4H	0.9	1.2	1.3	1.6	1.9	1.2	1.5	1.6	1.9	2.3
6H	0.8	1.0	1.2	1.5	1.9	1.1	1.4	1.6	1.8	2.2	
8H	0.8	1.0	1.2	1.4	1.9	1.1	1.3	1.6	1.8	2.2	

Fixture	Angle	UGR Range
Spot	16°	≤2
Narrow Flood	25°	≤6
Medium Flood	35°	≤10

Lumens and CBCP Multiplier Table

Use the below table to determine lumens and CBCP values for the combinations of power, color temperature, and CRI values.

Color Temperature				
2700K	3000K	3500K	4000K	5000K
0.96	1.00	1.04	1.07	1.12