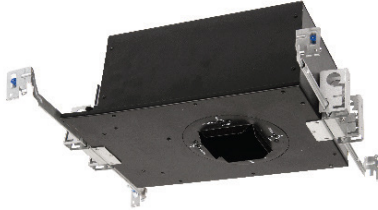
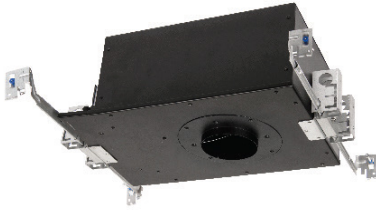


## Volta

### Static White - 2" Trim Housings

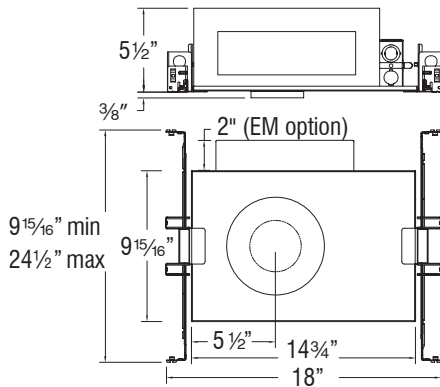
R2RNT | R2SNT | R2RCT | R2SCT | R2BRT

Fixture Type: \_\_\_\_\_  
 Project: \_\_\_\_\_  
 Catalog#: \_\_\_\_\_  
 Location: \_\_\_\_\_

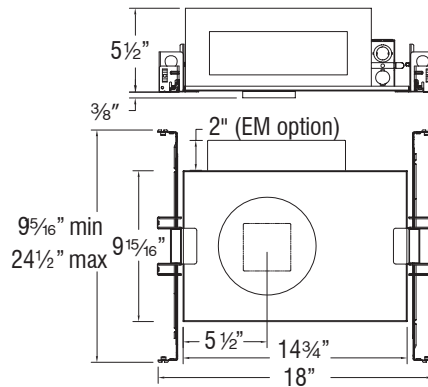


#### LINE DRAWING

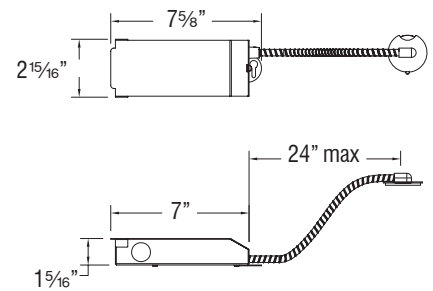
##### Round



##### Square



##### Remodel



#### PRODUCT DESCRIPTION

Volta LED downlight series represents an innovation in design and technology for architectural lighting. This high lumen and adaptable family of fixtures with a comprehensive set of round and square fittings, affords a sustainable solution for commercial, corporate, and upscale residential applications.

#### SPECIFICATIONS

- Mounting:** Universal mounting brackets and hanger bars  
 Ceiling cut out (Round): Trim  $\text{Ø } 3\frac{5}{8}"$   
 Ceiling cut out (Square): Trim  $3\frac{5}{8}" \times 3\frac{5}{8}"$   
 Accommodates  $\frac{1}{2}" - 1\frac{1}{2}"$  ceiling thickness
- Input:** Universal 120-277V AC, 50/60 Hz
- Dimming:** 0-10V: 100-0%  
 Electronic Low Voltage (ELV): 100-5%  
 Lutron Hi-Lume 1% Ecosystem Fade-to-Black option
- Emergency:** EM fixtures provided with integral Emergency battery back up with 24" lead wire remote test switch. Provides at least 90 minutes of 8W illumination during emergency operation
- Standards:** ETL & cETL, Chicago Plenum, IC-rated, Airtight (see list)
- Warranty:** 5 year WAC Lighting guaranteed warranty

# Volta

## Static White - 2" Trim Housings

R2RNT | R2SNT | R2RCT | R2SCT | R2BRT

Fixture Type: \_\_\_\_\_

Project: \_\_\_\_\_

Catalog#: \_\_\_\_\_

Location: \_\_\_\_\_

### ORDERING INFORMATION

HOUSINGS (Required)									
	Model	Trim	Power	S	N,F,W	Rating	Driver		Emergency Backup
New Construction Airtight	<b>R2RN</b> (Round)	T Trim	<b>15</b>	10W	15W	IC	<b>DEFAULT</b>	ELV, 0-10V	<b>EM</b> Optional
	<b>R2SN</b> (Square)		<b>22</b>	15W	22W	IC	<b>L1</b>	Lutron Hi-Lume 1%	
New Construction Airtight Chicago Plenum	<b>R2RC</b> (Round)	T Trim	<b>15</b>	10W	15W	IC	<b>DEFAULT</b>	ELV, 0-10V	<b>EM</b> Optional
	<b>R2SC</b> (Square)		<b>22</b>	15W	22W	IC	<b>L1</b>	Lutron Hi-Lume 1%	
Remodel Round or Square	<b>R2BR</b>	T Trim	<b>15</b>	10W	15W	Non-IC	<b>DEFAULT</b>	ELV, 0-10V	N/A
			<b>22</b>	15W	22W	Non-IC			

#### Field Replaceable Driver (New Construction Only)

D-R2N3-15	Driver for 15W
D-R2N3-22	Driver for 22W

#### Wood and Metal Ceiling Adapters

R2R-ADP1	Round - ½" to 1" ceiling thickness
R2R-ADP2	Round - 1" to 1½" ceiling thickness
R2S-ADP1	Square - ½" to 1" ceiling thickness
R2S-ADP2	Square - 1" to 1½" ceiling thickness

## Volta

### Static White - 2" Trim Housings

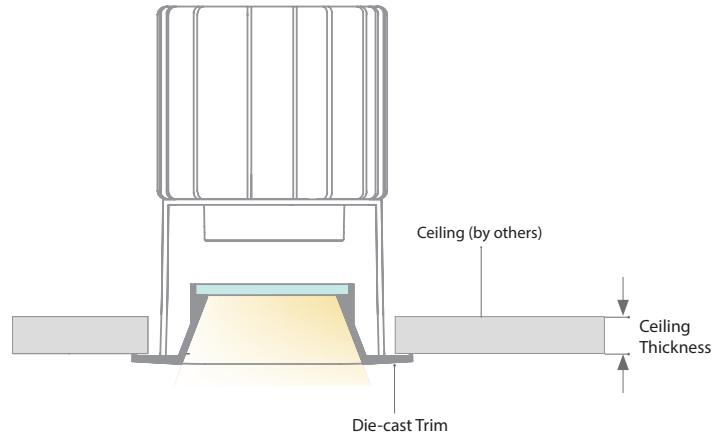
R2RNT | R2SNT | R2RCT | R2SCT | R2BRT

Fixture Type: \_\_\_\_\_  
 Project: \_\_\_\_\_  
 Catalog#: \_\_\_\_\_  
 Location: \_\_\_\_\_

## INSTALLATION

### TRIMMED INSTALLATION

Trim Model	Trim Description	Ceiling Thickness		
		1/2"	1"	1 1/2"
<b>R2RD2T</b> <b>R2SD2T</b>	<i>Downlight</i>	Yes	Yes	Yes
<b>R2RD1T</b> <b>R2SD1T</b>	<i>Shallow Regressed Downlight</i>	Yes	Yes	Yes
<b>R2RAT/ R2RPT</b> <b>R2SAT/ R2SPT</b>	<i>Adjustable/ Pinhole</i>	Yes, to 45°	Yes, to 35°	Yes, to 20°
<b>R2RWT</b> <b>R2SWT</b>	<i>Wall Wash</i>	Yes	Yes	No



### WOOD AND METAL CEILING INSTALLATION

Adapter Model	Trim Model	Trim Description	Ceiling Thickness		
			1/2"	1"	1 1/2"
R2R-ADP1 Round Up to 1"	R2RD2T R2RD1T	Downlight	Yes	Yes	N/A
	R2RWT	Wall Wash	Yes	Yes	N/A
	R2RAT R2RPT	Adjustable/Pinhole	Yes, to 45°	Yes, to 45°	N/A
R2R-ADP2 Round Up to 1 2"	R2RD2T R2RD1T	Downlight	Yes	Yes	Yes
	R2RWT	Wall Wash	No	No	No
	R2RAT R2RPT	Adjustable/Pinhole	Yes, to 30°	Yes, to 30°	Yes, to 30°
R2S-ADP1 Square Up to 1"	R2SD2T R2SD1T	Downlight	Yes	Yes	N/A
	R2SWT	Wall Wash	Yes	Yes	N/A
	R2SAT R2SPT	Adjustable/Pinhole	Yes, to 45°	Yes, to 45°	N/A
R2S-ADP2 Square Up to 1 2"	R2SD2T R2SD1T	Downlight	Yes	Yes	Yes
	R2SWT	Wall Wash	No	No	No
	R2SAT R2SPT	Adjustable/Pinhole	Yes, to 30°	Yes, to 30°	Yes, to 30°

